

MASTERBOX Series

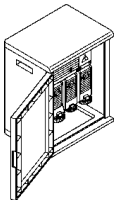
Distribution assemblies

No. Reference SERIES

663 – 664 – 665 – 666

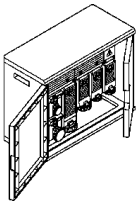


Versions



MASTERBOX 3 (470x580x350mm)

Capacity:
3 ADVANCE Series 16A 32A or 63A interlocked-switch socket outlets, or 6 QUADRA Series 16A/32A interlocked switch socket or any combination of the above.



MASTERBOX 5 (740x580x350mm)

Capacity:
5 ADVANCE Series 16A 32A or 63A interlocked-switch socket outlets, or 10 QUADRA Series 16A/32A interlocked switch socket or any combination of the above.

Reference standards

Standards: **IEC 60670**
EN 60439-1
EN 60439-4

Marking

Marking: **CE Marking** 

Quality marks

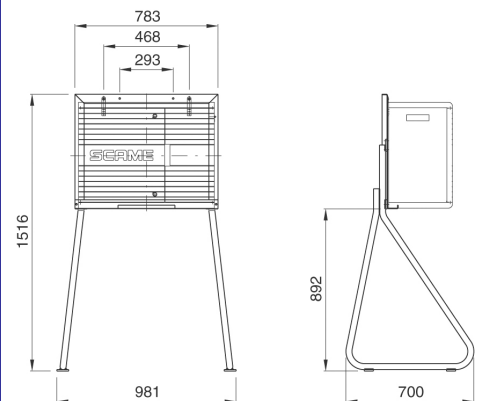


TECHNICAL characteristics:

Protection degree: **IP66**
Operating temperature according to the reference standard: **-25°C+40°C**
Max operating temperature: **60°C**
Glow Wire test: **650°C**
Material: **Engineering plastic**
IK degree at 20°C: **IK05-IK09**
Cable inlet: **PG21 – PG29 – PG36**
Double insulation : **YES**
Dissipable power: **16-29W**
Power output: **max. 55KW**
Colour: **Grey RAL 7035**

Dimensions

MASTERBOX SERIES: CABINET STAND



Behaviour with CHEMICAL and ATMOSPHERIC AGENTS

Saline solution	Acids		Bases		Solvents				Mineral oil	UV rays
	Concentrated	Diluted	Concentrated	Diluted	Hexane	Benzol	Acetone	Alcohol		
RESISTANT	LIMITED RESISTANCE	RESISTANT	LIMITED RESISTANCE	RESISTANT	NOT RESISTANT	NOT RESISTANT	NOT RESISTANT	LIMITED RESISTANCE	RESISTANT	RESISTANT