




> LAMPHOLDER



> REFERENCE STANDARDS

- EN 60238**
Edison screw lampholders
- EN 60400**
Lampholders for tubular fluorescent lamps and starterholders
- EN 60838-1**
Miscellaneous lampholders
Part 1: general requirements and tests
- EN 61058-1**
Switches for appliances
Part 1: general requirements

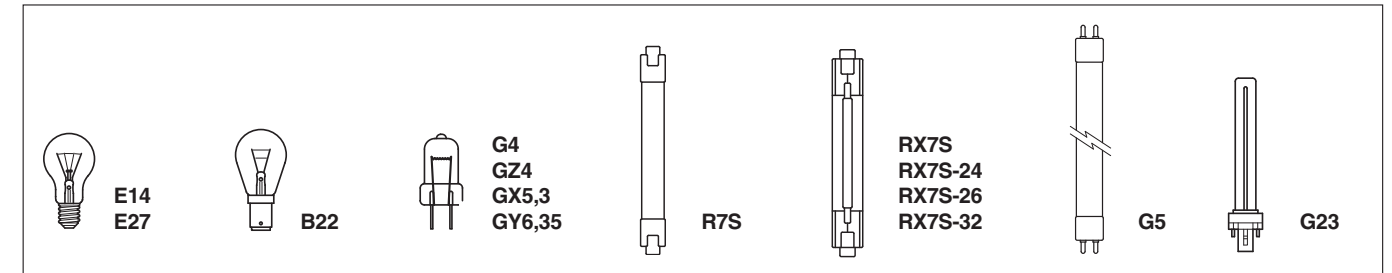
> VERSIONS

-  Lampholders
 - For incandescent lamps (E14-E27)
 - For fluorescent lamps (G5-G23)
 - For halogen lamps (G4-GX53-GY6.35-R75)
-  Switches
 - press switches
 - pull switches
 - slide in-line switches
 - foot switches
-  Ceiling accessories

> QUALITY MARKS



> TYPE OF COUPLING



> APPLICATION EXAMPLES



Thermoset lampholders: left, with E27 coupling, partly threaded skirt and metal nipple; right, with E14 coupling, fully threaded skirt and moulded thread.

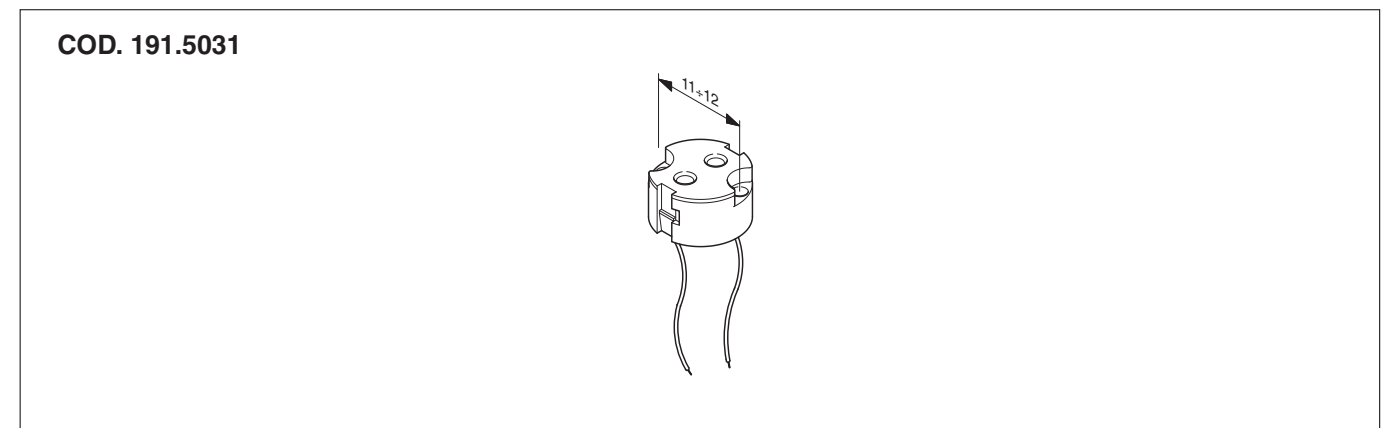
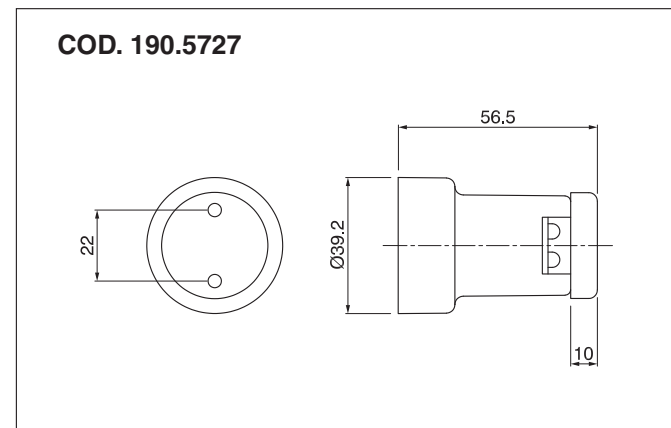
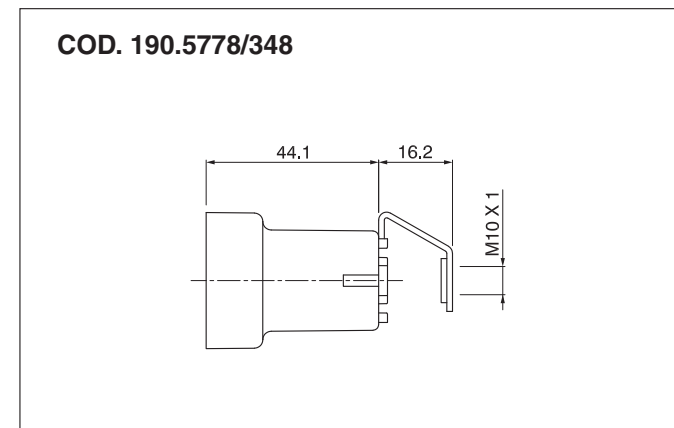
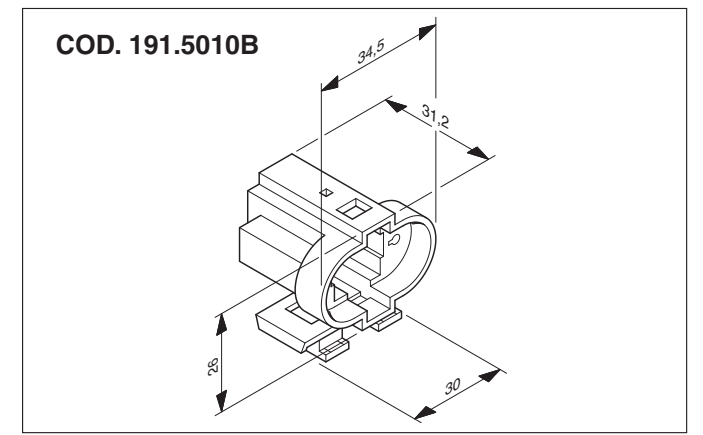
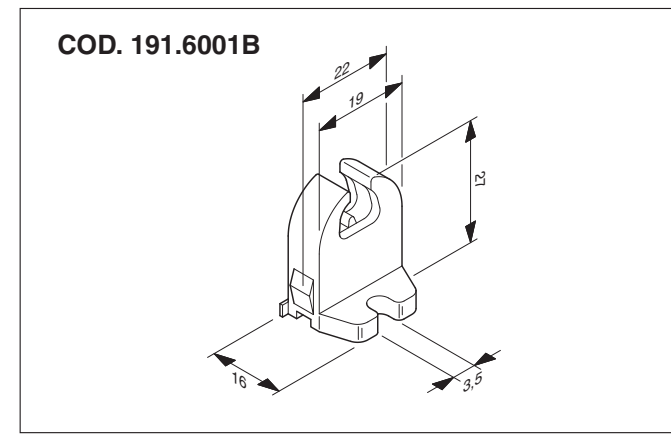
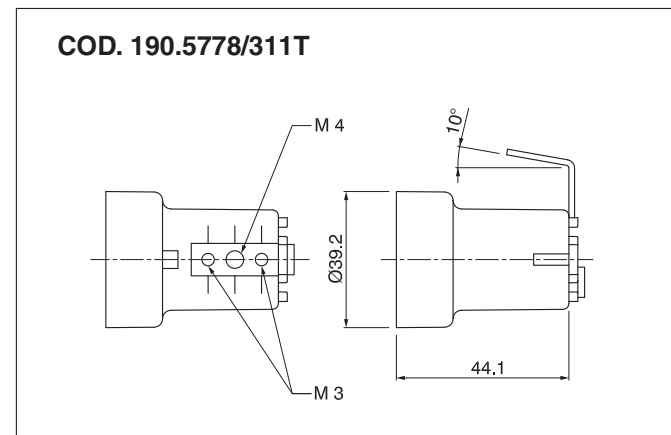
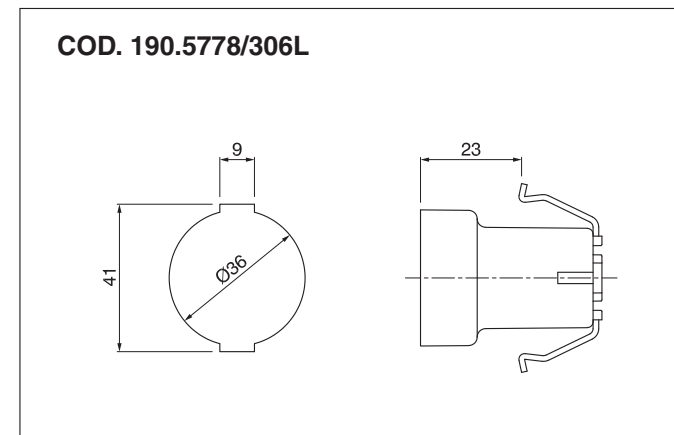
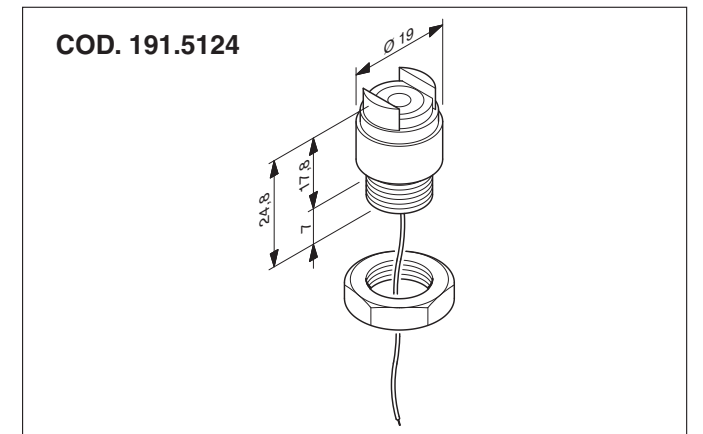
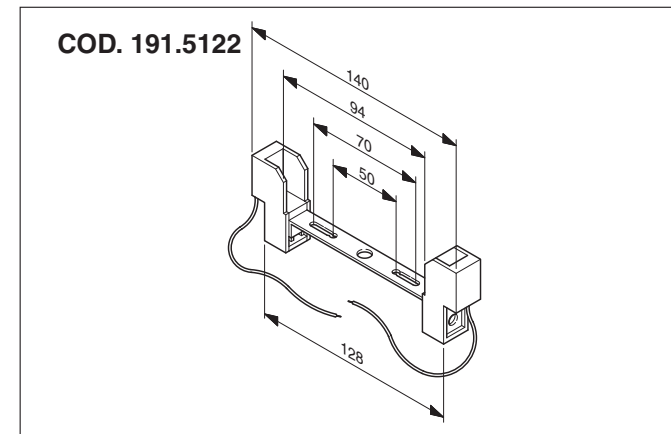
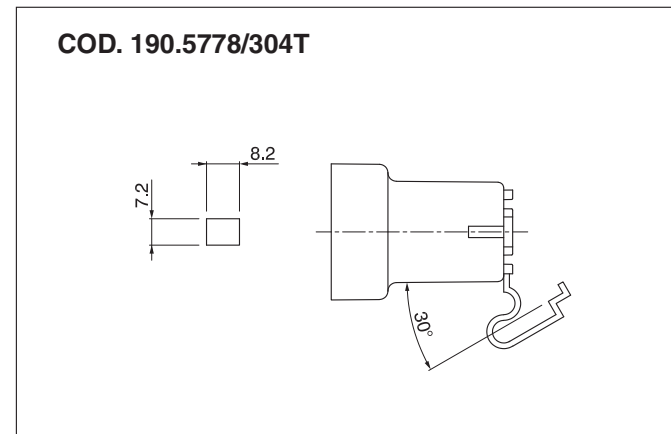
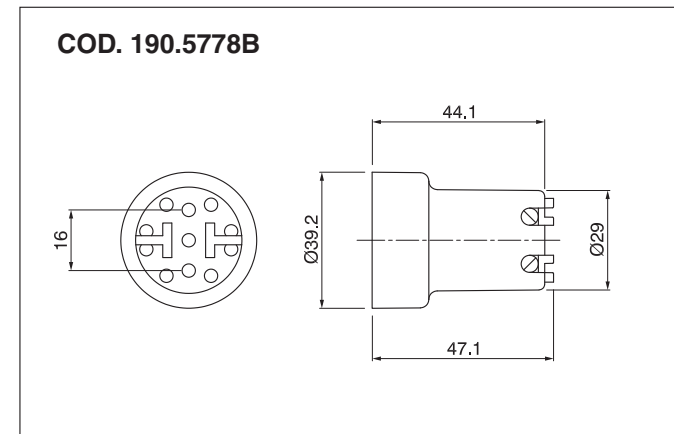
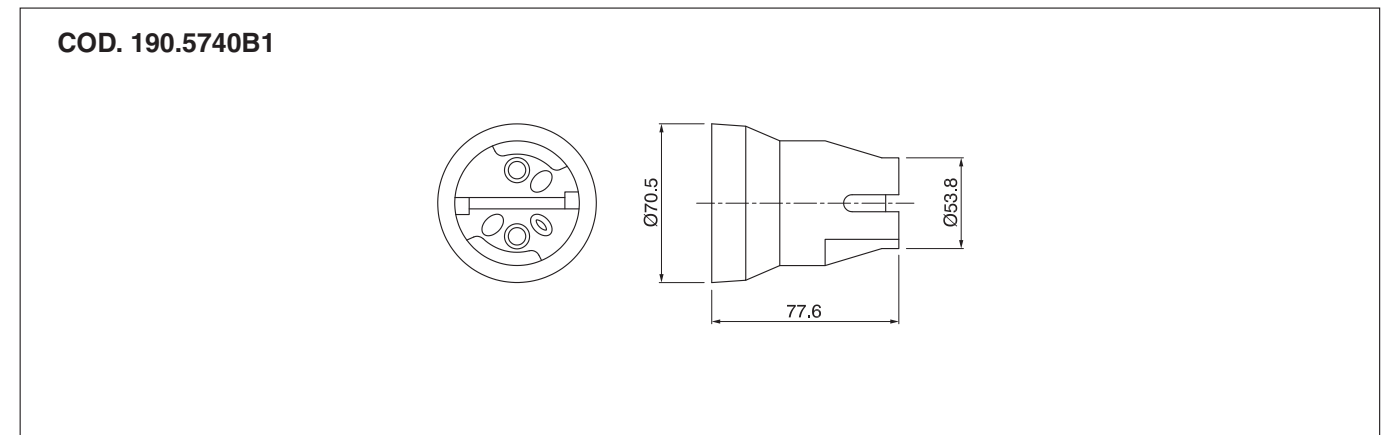
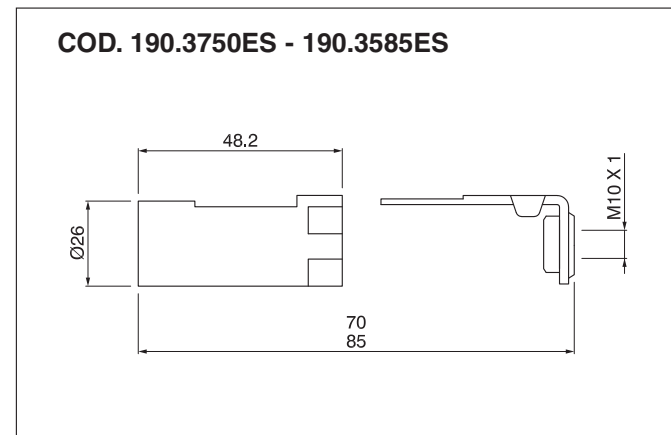
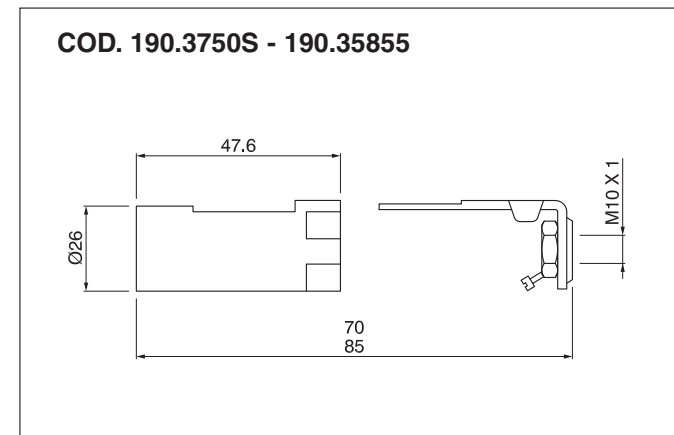


Metal lampholder. Detail of locking screw and earth terminal.



Slide in-line switch, with neutral connection for flat cable.

> DIMENSIONS



(Dimensions in mm)

(Dimensions in mm)