


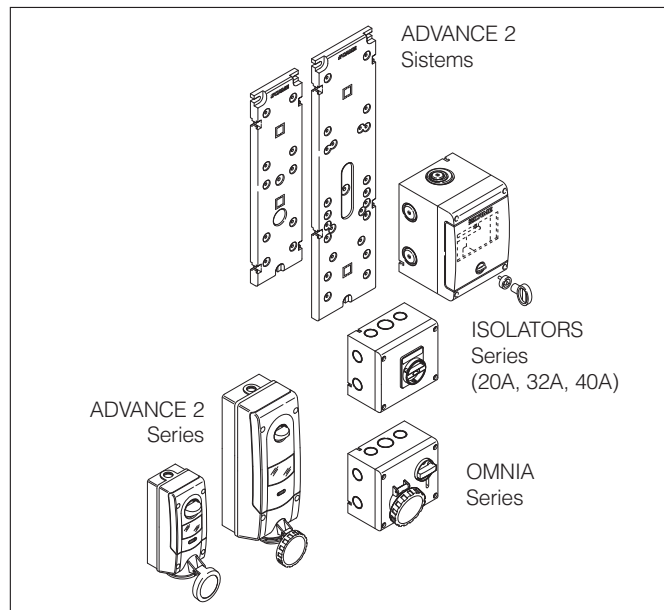


> SWITCH AND SWITCH-DISCONNECTORS



> VERSIONS

	Flush mounting - Engineering plastic
	Surface mounting - Engineering plastic
	Surface mounting - Metal



> REFERENCE STANDARDS

EN 60947-3
 Low voltage switchgear and controlgear
 Part 3: switches, disconnectors, switch-disconnectors
 and fuse-combination unit

> QUALITY MARKS



> TECHNICAL CHARACTERISTICS

Polarity:	1P - 2P - 3P - 4P
Rated current:	20A - 32A - 40A - 63A - 80A 100A - 125A - 160A
Protection degree:	IP55 - IP65
Operating temperature according to the reference standard:	-5°C+40°C
Max. operating temperature:	60°C
Glow Wire test:	650°C
Material:	Engineering plastic/Metal
IK degree at 20°C:	Engineering plastic versions: 20A-32A-40A: IK07 63A-80A-100A: IK08
Cable inlet:	METRIC
Colour:	Grey RAL 7035 (Engineering plastic) Grey RAL 7015 (Metal)

(The components shown above are modular with the engineering plastic version only)

> BEHAVIOUR WITH CHEMICAL AND ATMOSPHERIC AGENTS

Saline solution	Acids		Bases		Solvents				Mineral oil	UV rays
	Concentrated	Diluted	Concentrated	Diluted	Hexane	Benzol	Acetone	Alcohol		
Resistant	Limited Resistance	Resistant	Resistant	Resistant	Not Resistant	Not Resistant	Not Resistant	Limited Resistance	Resistant	Resistant

> CABLE INLETS

Engineering plastic versions	Metal versions
Enclosure 20A, 32A and 40A (82x120x69) - Upper surface: 1xM20 + 1xM25 - Lower surface: 1xM20 + 1xM25 - Back surface: 2xM20	Enclosure 20A, 32A and 40A (105x150x82) - Upper surface: 1xM20 + 1xM25 - Lower surface: 1xM20 + 1xM25
Enclosure 20A, 32A and 40A (136x125x84) - Upper surface: 1xM20 + 1xM25 - Lower surface: 1xM20 + 1xM25	Enclosure 63A, 80A and 100A (150x210x106) - Upper surface: 2xM32 - Lower surface: 2xM32
Enclosure 20A, 32A and 40A (105x150x82) - Upper surface: 1xM20 + 1xM25 - Lower surface: 1xM20 + 1xM25	Enclosure 125A (315x264x122), and 160A (410x315x150) - Blank side
Enclosure 63A, 80A and 100A (210x155x107) - Upper surface: 2xM25/M32 - Lower surface: 2xM25/M32	
Enclosure 125A (300x220x120), and 160A (380x300x120) - Blank side	

> APPLICATION EXAMPLES



> TECHNICAL DATA SWITCHES (1 POLE)

		20A	32A	40A
Rated insulation voltage Ui		Vac 250	250	250
Rated impulse withstand voltage Uimp		kV 4	4	4
Thermal current Ith		A 20	32	40
Thermal current Ithe		A 20	32	40
Nominal current rating Ie	AC22A Mixed resistive and inductive loads, including moderate overloads	250V A 20	32	40
	AC23A Switching off motor loads or other highly inductive loads (3 phase/3 pole)	250V A 16	20	25
Rated short-time withstand current Icw (s)		480	480	480
Short-circuit protection:	Conditional short-circuit current	kA 10	10	10
	Associate fuse size for conditional short-circuit current - Type gG	500 V kA 20	32	40
	Rated short-circuit making capacity Icm	kA 1500	1500	1500
Permissible wire gauge:	Flexible wire	mm ² 6	6	6
	Rigid wire	mm ² 6	6	6

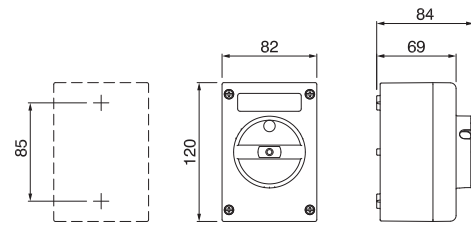
> TECHNICAL DATA SWITCH-DISCONNECTOR (2, 3, 4 POLES)

		20A	32A	40A	63A	80A	100A	125A	160A	
Rated insulation voltage Ui		V _{Ac} 690	690	690	690	690	690	750	750	
		V _{Dc} 400	400	400	-	-	-	750	750	
Rated impulse withstand voltage Uimp		kV 4	4	4	8	8	8	8	12	
Thermal current Ith		A 30	40	40	63	86	100	125	200	
Thermal current Ithe		A 30	40	40	63	86	86	125	160	
Iec rating	AC21A Resistive loads, including moderate overloads	400V	-	-	40	-	-	-	-	
		500V	-	-	-	-	-	-	-	
		690V	30	32	-	63	80	100	125	160
	AC22A Mixed resistive and inductive loads, including moderate overloads	400V	-	-	40	-	-	-	-	-
		500V	-	-	-	-	-	-	-	-
		690V	20	32	-	63	80	86	125	160
	AC23A Switching off motor loads or other highly inductive loads (3 phase / 3 pole)	400V	20	32	35	63	67	67	90	135
		500V	-	-	-	40	67	67	70	125
		690V	16	25	25	30	38	38	50	80
	AC3 Squirrel-cage motor: starting, switching off motor during running (3 phase / 3 pole)	400V	-	28.5	28.5	40	55	55	-	-
		690V	12	20	20	25	32	32	-	-
	DC21A Resistive loads, including moderate overloads	300V	20	32	32	-	-	-	125 (220V)	160 (220V)
250V		25	32	32	-	-	-	80 (220V)	160 (220V)	
DC22A Mixed resistive and inductive loads, including moderate overloads	600V	10(1)	10(1)	10(1)	-	-	-	-	-	
Rated short-time withstand current Icw (1s)		A 400	400	400	1500	1500	1500	2500	4000	
Short-circuit protection:	Conditional short-circuit current	kA _{eff} 10	10	10	10	10	10	12	25	
	Associate fuse size for conditional short-circuit current - Type gG	A 16	32	40	63	80	-	100	200	
	Rated short-circuit making capacity Icm	A 1500	1500	1500	2850	2850	2100	3600	12000	
UL rating	General use single phase and three phase	600V A	32	40	-	63	80	100	-	
	AC motor starting break all line single phase	120V Hp	1.5	2	-	3	3	3	-	
		240V Hp	3	5	-	7.5	7.5	10	-	
	AC motor B, C, D, starting break all lines three phase	240V Hp	7.5	10	-	10	10	10	-	
		480V Hp	10	15	-	20	25	25	-	
		600V Hp	15	20	-	25	30	30	-	
Permissible wire gauge:	Flexible wire	mm ²	1,5 - 10	1,5 - 10	1,5 - 10	10-35	10-35	10-35	10-70	
		AWG	16 - 8	16 - 8	16 - 8	10-2	10-2	10-2	-	
	Flexible wire	mm ²	1,5 - 16	1,5 - 16	1,5 - 16	10-35	10-35	10-35	-	
		AWG	16-8	16-8	16-8	10-2	10-2	10-2	-	

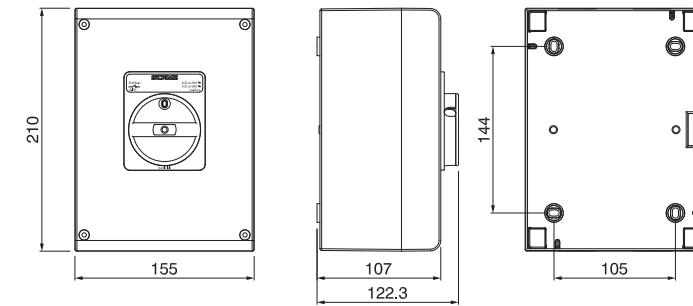
(1) 2+2 poles in series. UL approve values. IMQ approved values.

> DIMENSIONS - ENGINEERING PLASTIC VERSIONS

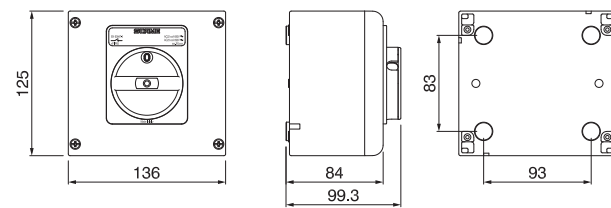
ENCLOSURE 20A - 32A - 40A (82x120x69)



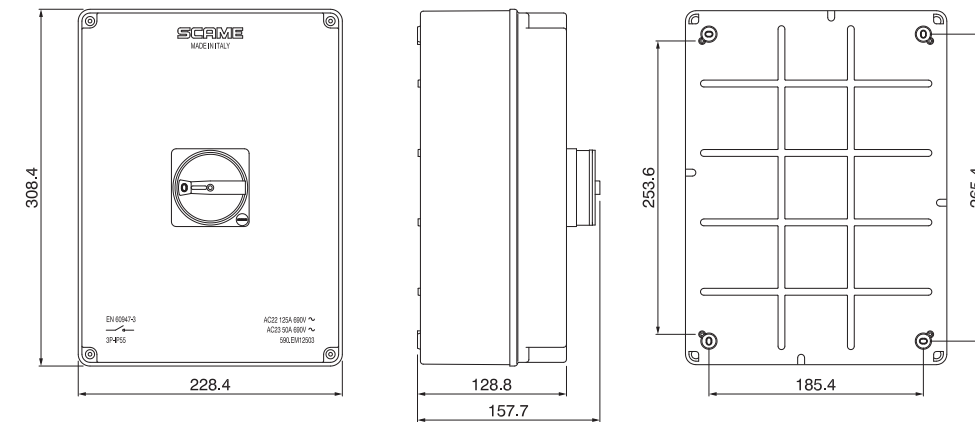
ENCLOSURE 63A - 80A - 100A (210x155x107)



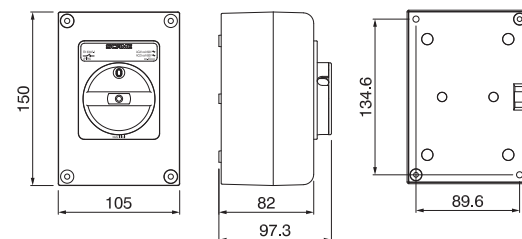
ENCLOSURE 20A - 32A - 40A (136x125x84)



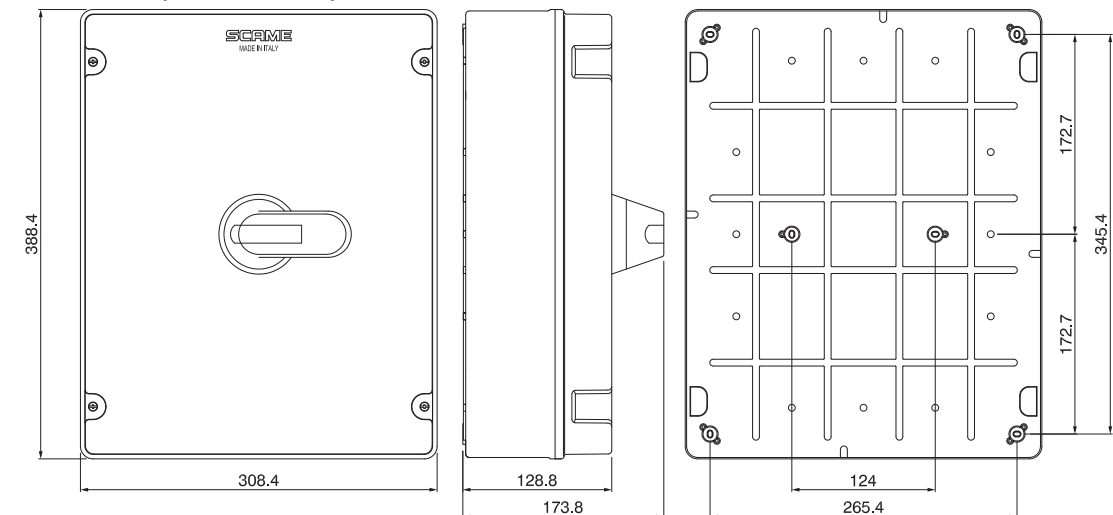
ENCLOSURE 125A (300x220x120)



ENCLOSURE 20A - 32A - 40A (105x150x82)



ENCLOSURE 160A (380x300x120)

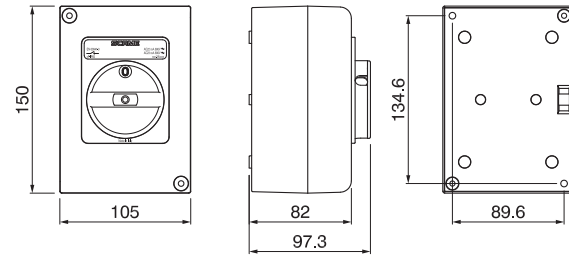


(Dimensioni in mm)

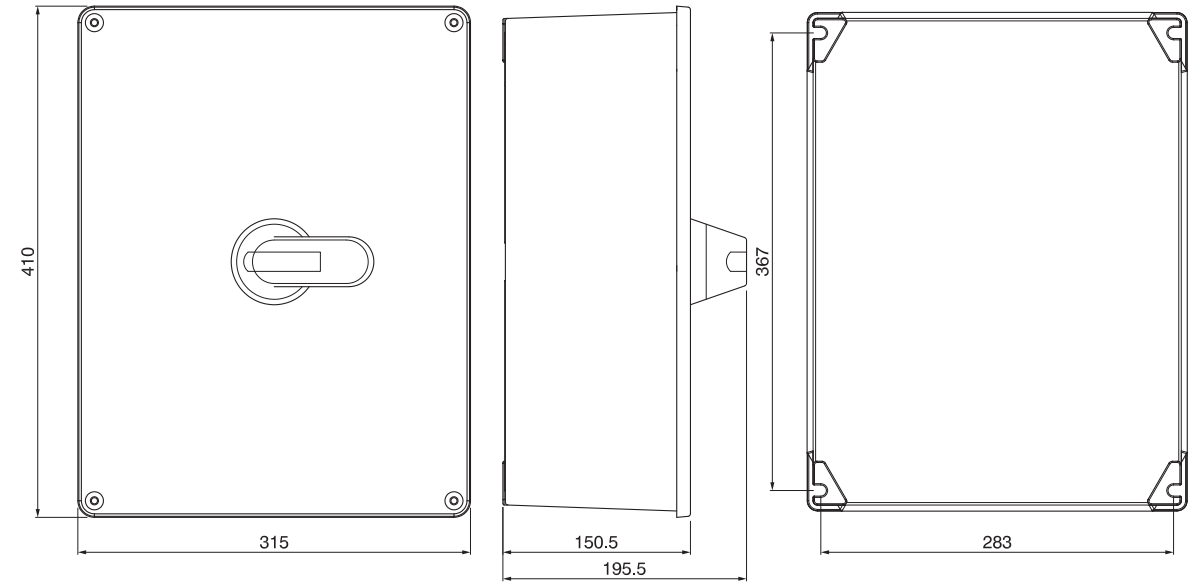
(Dimensioni in mm)

> DIMENSIONS - METAL VERSIONS

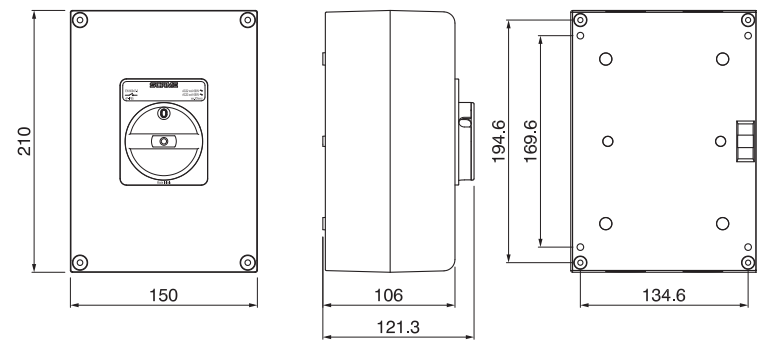
ENCLOSURE 20A - 32A - 40A (105x150x82)



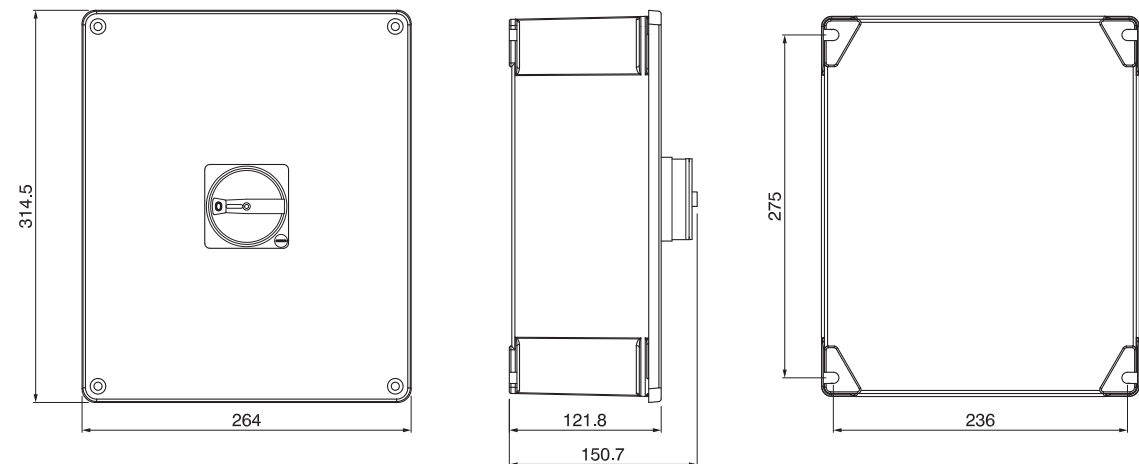
ENCLOSURE 160A (410x315x150)



ENCLOSURE 63A - 80A - 100A (150x210x106)

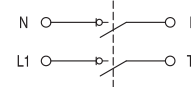


ENCLOSURE 125A (315x260x110)

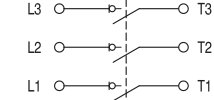


(Dimensioni in mm)

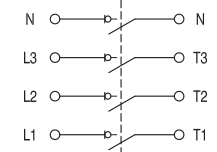
2P SWITCH



3PSWITCH



4P SWITCH



(Dimensioni in mm)