






## > INNOVA < Series

### Accessories

No. REFERENCE SERIES	
103.101	103.200
103.102	103.201
103.103	103.202
103.104	



VERSIONS			
	Surface mounting box - 1 gang (17,25,35mm)		Blank plates 1 gang
	Surface mounting box - 2 gang (35mm)		Blank plates 2 gang
	Ceiling rose		

REFERENCE STANDARDS
Standards: <b>BS 5733 (1995)</b> <b>IEC 60670</b>

MARKING
Marking: <b>CE Marking</b> 

QUALITY MARKS

TECHNICAL CHARACTERISTICS
Operating temperature: <b>-5°C+40°C</b>
Max operating temperature <b>+60°C</b>
Protection degree: <b>IP20</b>
Glow wire test : <b>850°C</b>
Max. installation altitude: <b>2.000 m</b>
Material: <b>Engineering plastic</b>
Colour: <b>White RAL 9016</b>

BEHAVIOUR WITH CHEMICAL AND ATMOSPHERIC AGENTS										
Saline solution	Acids		Bases		Solvents				Mineral oil	UV rays
	Concentrated	Diluted	Concentrated	Diluted	Hexane	Benzol	Acetone	Alcohol		
<b>RESISTANT</b>	<b>LIMITED RESISTANCE</b>	<b>RESISTANT</b>	<b>LIMITED RESISTANCE</b>	<b>RESISTANT</b>	<b>RESISTANT</b>	<b>NOT RESISTANT</b>	<b>NOT RESISTANT</b>	<b>RESISTANT</b>	<b>LIMITED RESISTANCE</b>	<b>RESISTANT</b>

# > INNOVA < Series

## Accessories

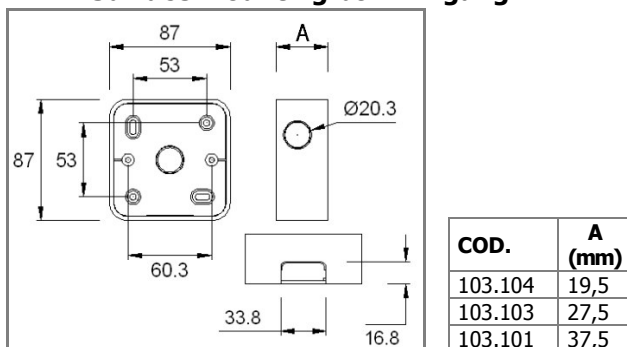
### No. REFERENCE SERIES

103.101	103.200
103.102	103.201
103.103	103.202
103.104	

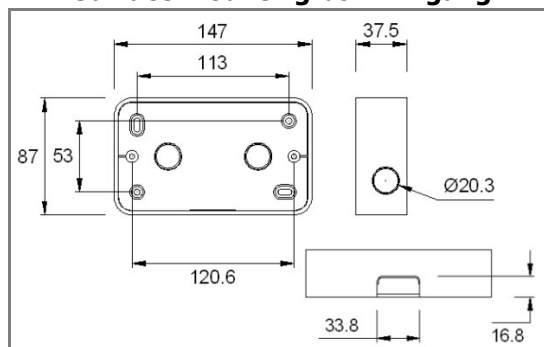


### DIMENSIONS

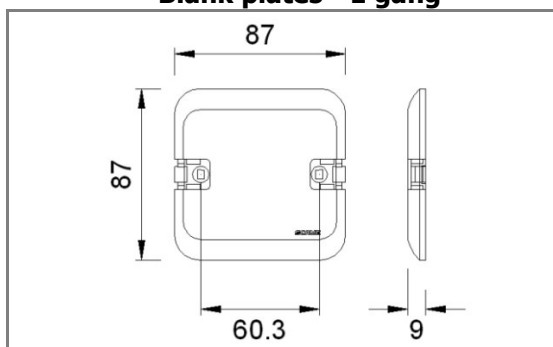
#### Surface mounting box – 1 gang



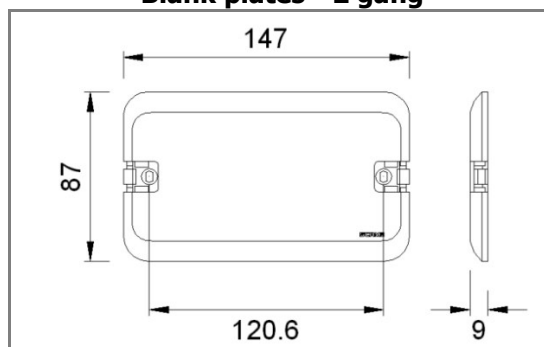
#### Surface mounting box – 2 gang



#### Blank plates - 1 gang



#### Blank plates - 2 gang



#### Ceiling rose

