


# > INNOVA < Series

## Hotels – Energy saving key card switch

No. REFERENCE SERIES
103.300



VERSIONS
 <p>Energy saving key card switch</p>

REFERENCE STANDARDS

MARKING

QUALITY MARKS

TECHNICAL CHARACTERISTICS
<p>Operating temperature: <b>-5°C+40°C</b></p> <p>Protection degree: <b>IP20</b></p> <p>Max. installation altitude: <b>2.000 m</b></p> <p>Mounting box type : <b>Flush 1 gang (min. deepness: 35mm)</b>  <b>Surface 1 gang (min. deepness: 35mm)</b></p> <p>Material: <b>Engineering plastic</b></p> <p>Colour: <b>White RAL 9016</b></p>

BEHAVIOUR WITH CHEMICAL AND ATMOSPHERIC AGENTS										
Saline solution	Acids		Bases		Solvents				Mineral oil	UV rays
	Concentrated	Diluted	Concentrated	Diluted	Hexane	Benzol	Acetone	Alcohol		
<b>RESISTANT</b>	<b>LIMITED RESISTANCE</b>	<b>RESISTANT</b>	<b>LIMITED RESISTANCE</b>	<b>RESISTANT</b>	<b>RESISTANT</b>	<b>NOT RESISTANT</b>	<b>NOT RESISTANT</b>	<b>RESISTANT</b>	<b>LIMITED RESISTANCE</b>	<b>RESISTANT</b>

## > INNOVA < Series

### Hotels – Energy saving key card switch

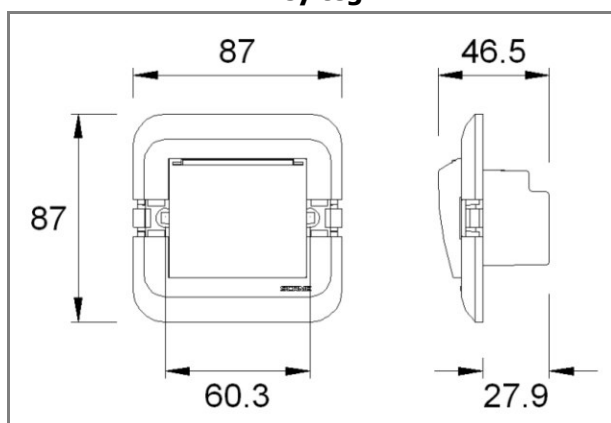
#### No. REFERENCE SERIES

103.300



#### DIMENSIONS

Key teg

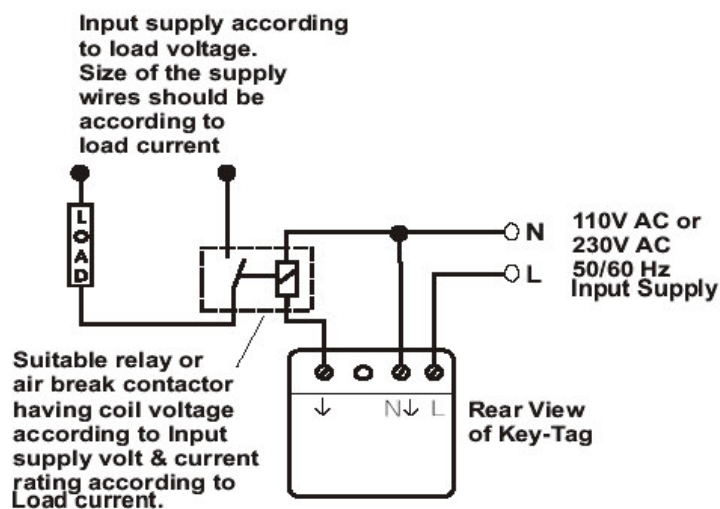


#### LEAFLET

#### PRODUCT SPECIFICATION

- Working Volt : 110-230 V AC, 50/60 Hz
- Standby Consumption : 2 mA
- Suitable for static relays and contactors
- Maximum output power : 15 VA at 110 V AC  
30 VA at 230 V AC
- Maximum Call power : 100 VA
- Minimum Power : 1.5 VA
- Terminal Capacity : 2 x 2.5 mm
- Card access zone illuminated.
- Delayed shutdown after about 30 seconds (after card removal).
- Installation in box, depth : 35mm.
- Storage temperature : -20°C + 60°C
- Working temperature : -5°C + 40°C

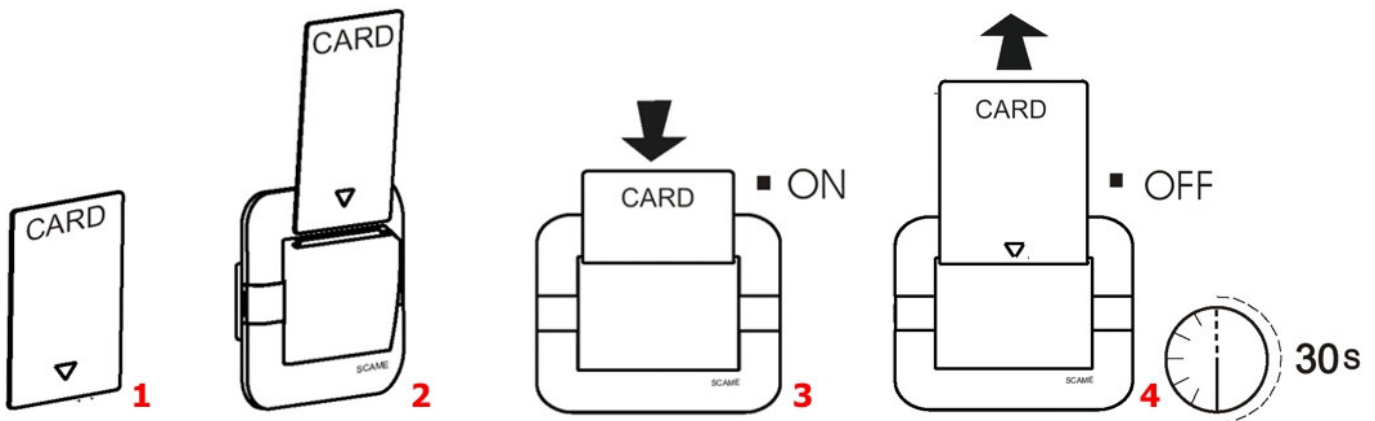
#### WIRING DIAGRAM



**LEAFLET**

**METHOD OF USE**

- Insert the card as shown at step **1** in the slot provided in the Key-Tag as shown at step **2**.
- When the card is fully in the key-Tag cover as shown at step **3**, the room lights will be switched "ON".
- Remove the card from the slot when you want to leave the room as shown at step **4**, the lights of the room will stay "ON" for approximately 30 seconds which will ease you go out of room after which time the lights will be switched "OFF" automatically.



**SERVICING**

- Remove cover as indicated at steps **1, 2 & 3**.
- Clean with suitable size dry brush as indicated at step **4** & remove all dust particles and any unwanted object present there.
- Refix the Cover.

