

> INNOVA < Series

Hotels – DND & clean up indicator units

No. REFERENCE SERIES

103.330
103.331


VERSIONS


DND & clean up switches



DND & clean up indicator

REFERENCE STANDARDS
MARKING
QUALITY MARKS
TECHNICAL CHARACTERISTICS

Operating temperature: **-5°C+40°C**
 Protection degree: **IP20**
 Max. installation altitude: **2.000 m**
 Mounting box type : **Flush 1 gang (min. deepness: 25mm)**
Surface 1 gang (min. deepness: 25mm)
 Material: **Engineering plastic**
 Colour: **White RAL 9016**

BEHAVIOUR WITH CHEMICAL AND ATMOSPHERIC AGENTS

Saline solution	Acids		Bases		Solvents				Mineral oil	UV rays
	Concentrated	Diluted	Concentrated	Diluted	Hexane	Benzol	Acetone	Alcohol		
RESISTANT	LIMITED RESISTANCE	RESISTANT	LIMITED RESISTANCE	RESISTANT	RESISTANT	NOT RESISTANT	NOT RESISTANT	RESISTANT	LIMITED RESISTANCE	RESISTANT

> INNOVA < Series

Hotels – DND & clean up indicator units

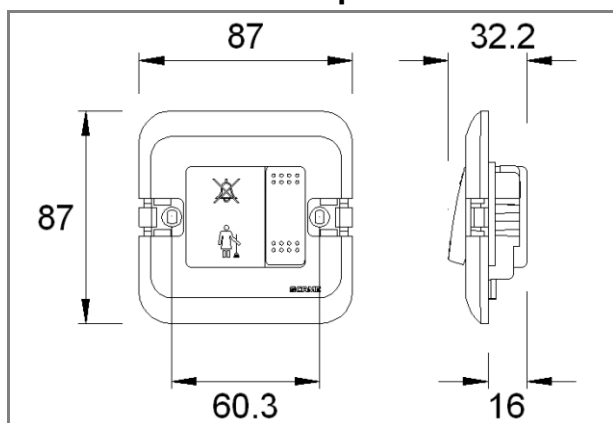
No. REFERENCE SERIES

103.330
 103.331



DIMENSIONS

DND & clean up indicator



DND & clean up switches

