


> INNOVA < Series

Socket outlets – DATACOM

No. REFERENCE SERIES
103.480



VERSIONS
 <p>RJ 45 OUTLET – CATEGORY 5E</p>

REFERENCE STANDARDS
Standards: BS EN 60603-7 (1990)

MARKING

QUALITY MARKS

TECHNICAL CHARACTERISTICS
<p>Operating temperature: -5°C+40°C Max operating temperature +60°C Protection degree: IP20 Max. installation altitude: 2.000 m Mounting box type : Flush 1 gang (min. deepness: 35mm) Surface 1 gang (min. deepness: 35mm) Material: Engineering plastic Colour: White RAL 9016</p>

CABLING OPERATIONS

BEHAVIOUR WITH CHEMICAL AND ATMOSPHERIC AGENTS										
Saline solution	Acids		Bases		Solvents				Mineral oil	UV rays
	Concentrated	Diluted	Concentrated	Diluted	Hexane	Benzol	Acetone	Alcohol		
RESISTANT	LIMITED RESISTANCE	RESISTANT	LIMITED RESISTANCE	RESISTANT	RESISTANT	NOT RESISTANT	NOT RESISTANT	RESISTANT	LIMITED RESISTANCE	RESISTANT

> INNOVA < Series

Socket outlets - TELEPHONE

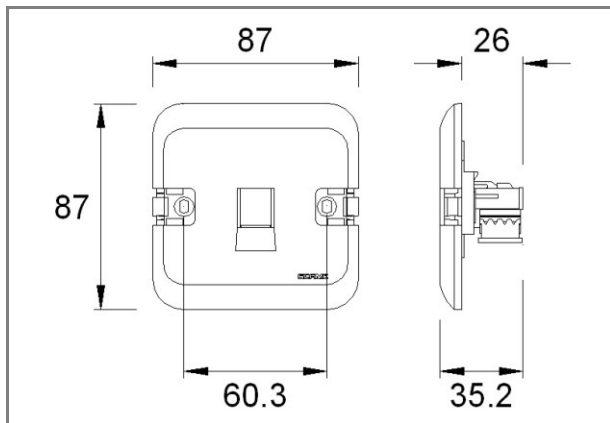


No. REFERENCE SERIES

103.480

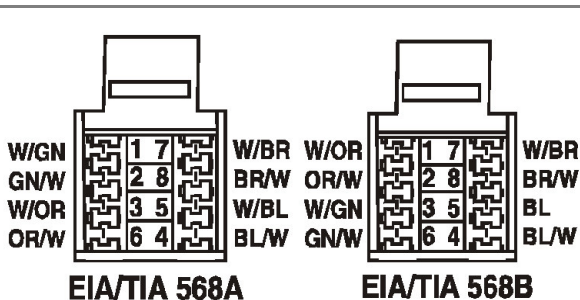
DIMENSIONS

RJ 45



LEAFLET

EIA/TIA 568 A&B WIRING SCHEME



NOTE:

1. Use insertion tool for punching and cutting the wire ends.
2. Follow the EIA/TIA 568A and EIA/TIA 568B wiring scheme only throughout the installation to maintain CAT5e compliance.