




> INNOVA < Series

Socket outlets – Telephone

No. REFERENCE SERIES
103.460
103.461
103.462



VERSIONS	
	RJ 11 – SINGLE
	BRITISH TELECOM SOCKET MASTER
	BRITISH TELECOM SOCKET SECONDARY

REFERENCE STANDARDS
Standard: BS 6312-2

MARKING

QUALITY MARKS

TECHNICAL CHARACTERISTICS
Operating temperature: -5°C+40°C
Max operating temperature +60°C
Protection degree: IP20
Max. installation altitude: 2.000 m
Mounting box type : Flush 1 gang (min. deepness: 35mm) Surface 1 gang (min. deepness: 35mm)
Material: Engineering plastic
Colour: White RAL 9016

CABLING OPERATIONS

BEHAVIOUR WITH CHEMICAL AND ATMOSPHERIC AGENTS										
Saline solution	Acids		Bases		Solvents				Mineral oil	UV rays
	Concentrated	Diluted	Concentrated	Diluted	Hexane	Benzol	Acetone	Alcohol		
RESISTANT	LIMITED RESISTANCE	RESISTANT	LIMITED RESISTANCE	RESISTANT	RESISTANT	NOT RESISTANT	NOT RESISTANT	RESISTANT	LIMITED RESISTANCE	RESISTANT

> INNOVA < Series Socket outlets - Telephone

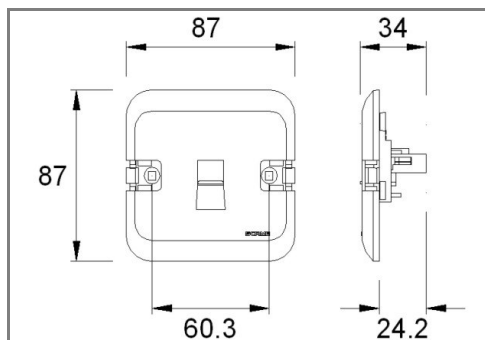


No. REFERENCE SERIES

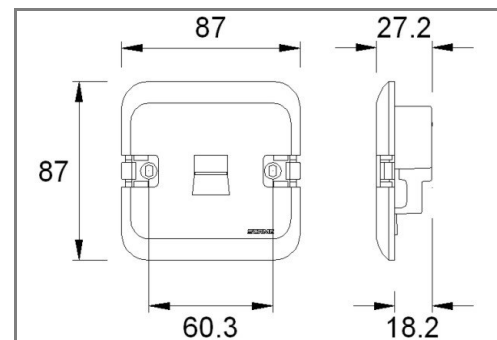
103.460
103.461
103.462

DIMENSIONS

RJ 11 – SINGLE



BRITISH TELECOM SOCKET



LEAFLET

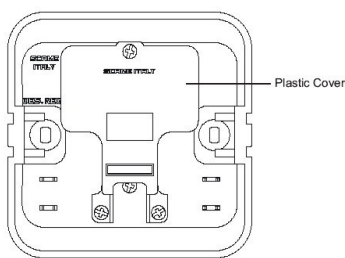


Fig. 1

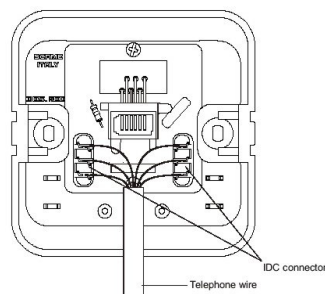


Fig. 2

BT Wiring Scheme

1. GREEN/white
2. BLUE/white
3. ORANGE/white
4. WHITE/orange
5. WHITE/blue
6. WHITE/green

Note:
Main Wire colour is
shown in capitals

Additional secondary extension outlets:

Additional secondary extension outlets should be wired in parallel with the existing installation via the IDC terminals (i.e. pin 1 to pin 1, pin 2 to pin 2, etc.) see Figure 3.

WIRING INSTRUCTIONS:

- Remove the screws of the plastic cover and unmount the plastic cover of the Telephone outlet shown in Fig 1.
- Carefully strip 50mm of the BT cable outer sheath to expose the inner insulated conductors.
- Using the insertion tool, carefully push each lead into the appropriate IDC terminals of the IDC Connector, as shown in fig:2, according to the wiring colour code indicated on the right hand side. Pins 1 and 6 are frequently unused, 4 wire cable may be used in these installations.
Note : If an existing installation uses a different wiring colour code system, this should be retained on any new or extended installation.
- Cut off any excess inner conductors protruding from the IDC terminals & secure the cable using the cable tie provided.
- Replace the plastic cover on the socket once all the cables have been properly placed on Telephone Socket.

