

> INNOVA < Series

Socket outlets – TV/FM/SAT

No. REFERENCE SERIES

103.431
 103.432
 103.433
 103.434


VERSIONS


TV



TV/FM



TV/FM/SAT



TV/SAT

REFERENCE STANDARDS

 Standards: **BS EN 50083**
MARKING
QUALITY MARKS
TECHNICAL CHARACTERISTICS

Frequency specification: **TV: 5-862 MHz**
FM: 87,5-108 MHz
SAT: 950-2400 MHz

Operating temperature: **-5°C+40°C**

Max operating temperature: **+60°C**

Protection degree: **IP20**

Max. installation altitude: **2.000 m**

Mounting box type : **Flush 1 gang (min. deepness: 35mm)**
Surface 1 gang (min. deepness: 35mm)

Material: **Engineering plastic**

Colour: **White RAL 9016**

CABLING OPERATIONS

> INNOVA < Series Socket outlets – TV/FM/SAT



No. REFERENCE SERIES

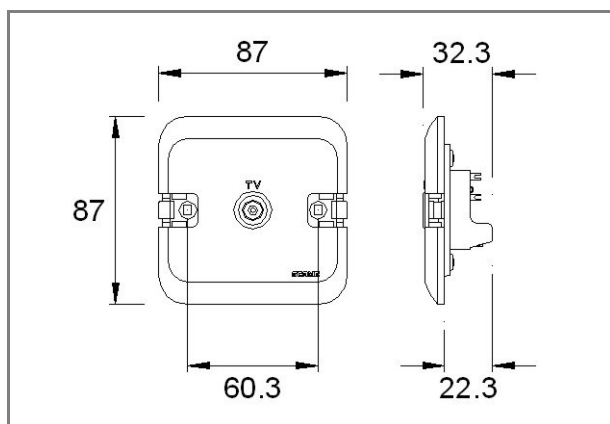
103.431
103.432
103.433
103.434

BEHAVIOUR WITH CHEMICAL AND ATMOSPHERIC AGENTS

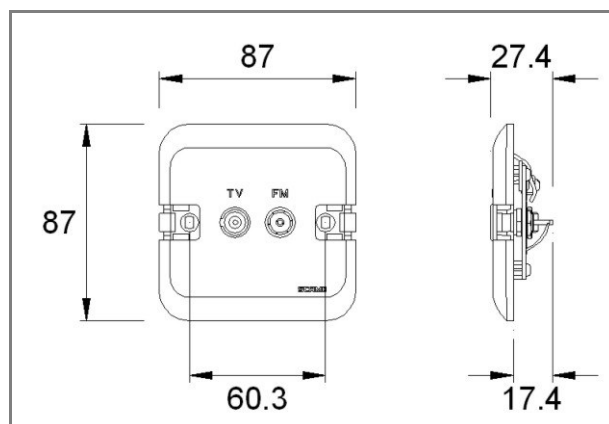
Saline solution	Acids		Bases		Solvents				Mineral oil	UV rays
	Concentrated	Diluted	Concentrated	Diluted	Hexane	Benzol	Acetone	Alcohol		
RESISTANT	LIMITED RESISTANCE	RESISTANT	LIMITED RESISTANCE	RESISTANT	RESISTANT	NOT RESISTANT	NOT RESISTANT	RESISTANT	LIMITED RESISTANCE	RESISTANT

DIMENSIONS

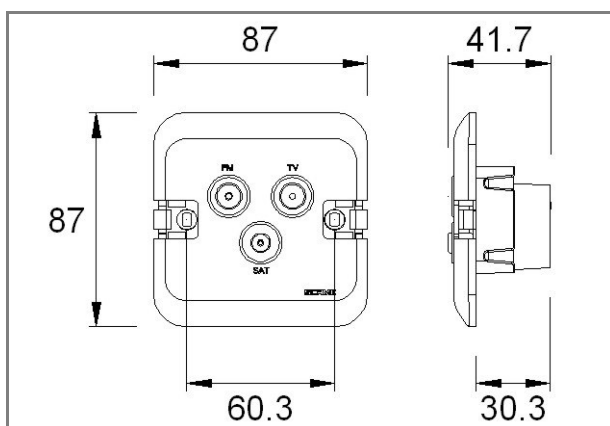
TV SINGLE



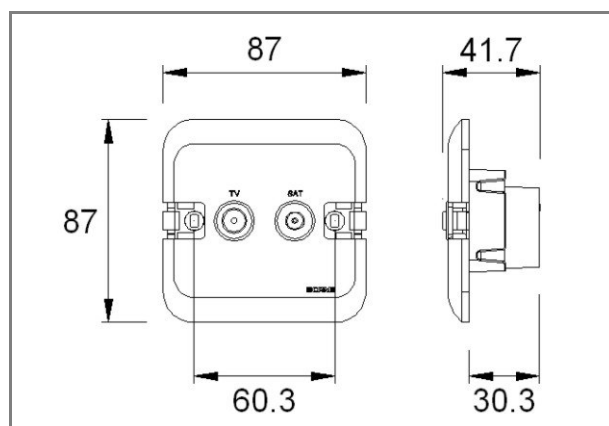
TV/FM DOUBLE



TV/FM/SAT

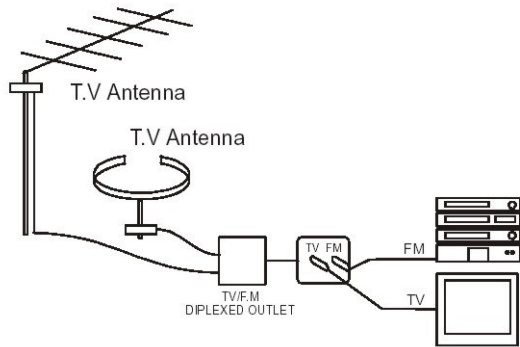


TV/SAT



LEAFLET

INNOVA Series TV/FM COAXIAL DOUBLE OUTLET



SPECIFICATION:

- Saddle and clamp input
- Male and Female coaxial socket diplexed outputs.

INSTALLATION INSTRUCTION:

- Carefully strip the outer sheath, cut braiding and remove central wire insulation of the coaxial cable end as indicated in Fig-1.
- Insert central wire into terminal and tighten its screw. Trap and tighten outer braiding under clamp ensuring no loose strands touch the central wire as shown in Fig-2.
- Finally mount the TV/FM socket on the surface mounting box or flush metal box.

NOTE: Stripping dimensions of the coaxial may vary. Check product before cutting cable.

CAUTION: Before starting electrical work always switch off at the mains.

If in doubt consult a qualified electrician. Contains small parts, keep out of reach of children. Please leave this leaflet with the end user for future reference.

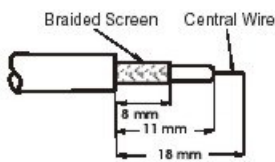


Fig:1

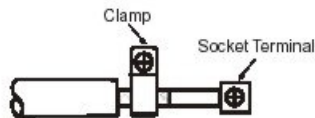
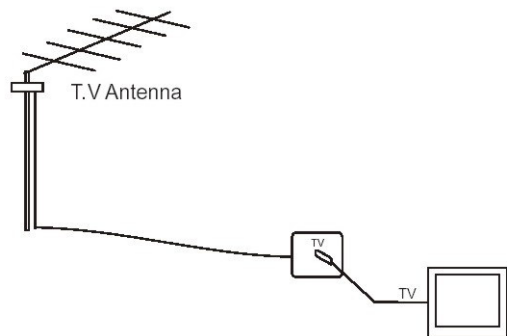


Fig:2

INNOVA Series TV COAXIAL SINGLE OUTLET



INSTALLATION INSTRUCTION :

- Carefully strip the outer sheath, cut braiding and remove central wire insulation of the coaxial cable end as indicated in Fig-1.
- Insert central wire into terminal and tighten its screw. Trap and tighten outer braiding under clamp ensuring no loose strands touch the central wire as shown in Fig-2.
- Finally mount the TV socket on the surface mounting box or flush metal box.

NOTE: Stripping dimensions of the coaxial may vary. Check product before cutting cable.

CAUTION: Before starting electrical work always switch off at the mains.

If in doubt consult a qualified electrician. Contains small parts, keep out of reach of children. Please leave this leaflet with the end user for future reference.

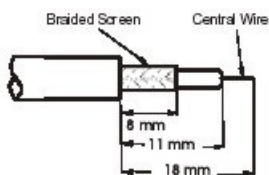


Fig:1

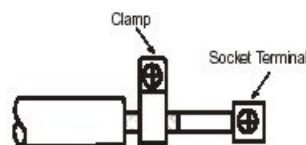
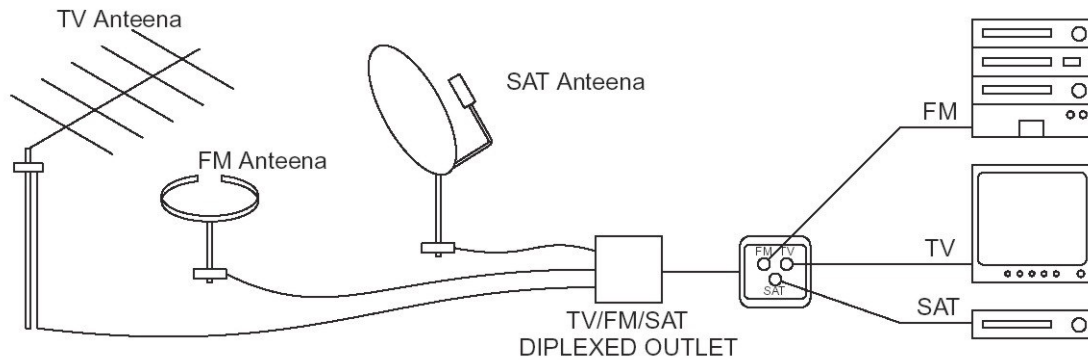


Fig:2

LEAFLET

INNOVA Series TV SAT/TV SAT FM OUTLET



SAFETY INSTRUCTIONS:

- For safety reasons, these products should be installed by an expert person and according to these instructions.
- These products must be installed in enclosures where there are no products rated in excess of 50V.

INSTALLATION INSTRUCTIONS:

- To avoid sharp bends and prevent crushing during the possible rotation of the unit the cable should be cut to an appropriate length.
- To connect the TV cable follow the instructions below.
- When the unit is wired push it carefully into the wall / mounting box . Check that the cable has not any sharp bends and is not trapped or pinched.
- Fix the unit by using the fixing screws located on the back of the product. To not damage the plate or the screw / box threads do not over tighten the screws.

CHARACTERISTICS:

- The outlets are fully screened and suitable for use in interactive and digital TV distribution systems and installations.
- The signal quality depend on the accuracy of the wiring. To avoid that the inner insulation is crushed or squashed ensure that all cable bends are smooth.

CABLE CONNECTION:

Strip the TV Co-Axial cable as shown.
Do not exceed the stripping dimensions.

DIPLEXER AND TRIPLEXER MODULES:

- Open the cable clamp by unscrewing the fixing screw.
- Insert the centre conductor of the coaxial cable in the apposite seat as shown. The terminal is screwless type.
- Be sure that the screening braid is in the correct position. Check that there are no loose strands of braid: they could cause a short circuit with the centre conductor.
- Close the cable clamp and tighten the fixing screw, without over tighten it.
- Please leave this leaflet with the end user for future reference.

TV/SAT/FM Frequency specification

	DIPLEXER	TRIPLEXER
TV:	5 - 860MHz	5 - 860Mhz
SAT:	DC-950-2400MHz	DC-950-2400MHz
FM:	-	88-116MHz

