

## > INNOVA < Series

### Socket outlet – UK standard

**No. REFERENCE SERIES**

103.4001  
103.4005


**VERSIONS**


13A single



5A single

**REFERENCE STANDARDS**

Standards: **BS 1363-2 (1995)**  
**BS 546 (1950)**

**MARKING**
**QUALITY MARKS**
**TECHNICAL CHARACTERISTICS**

Rated current: **5A – 13A**  
 Rated voltage: **250V~**  
 Frequency: **50Hz**  
 Insulating voltage: **250V~**  
 Protection degree: **IP20D**  
 Operating temperature according to the reference standard: **-5°C+40°C**  
 Max operating temperature **+60°C**  
 Glow Wire test: **850°C**  
 Max. installation altitude: **2.000 m**  
 Mounting box type : **Flush 1 gang (min. deepness: 25mm)**  
**Surface 1 gang (min. deepness: 25mm)**  
 Material: **Engineering plastic**  
 Colour: **White RAL 9016**

**CABLING OPERATIONS**
**Cabling capacity of the terminals:**

3x2,5 mm<sup>2</sup>  
 2x4 mm<sup>2</sup>  
 2x6 mm<sup>2</sup> (stranded)

## > INNOVA < Series

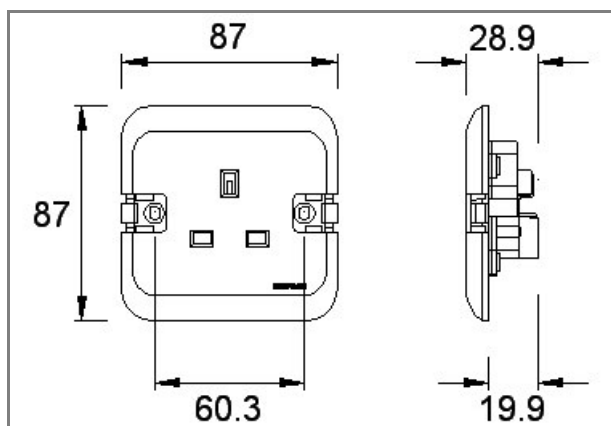
### Socket outlet – UK standard


**No. REFERENCE SERIES**

103.4001  
103.4005

**BEHAVIOUR WITH CHEMICAL AND ATMOSPHERIC AGENTS**

Saline solution	Acids		Bases		Solvents				Mineral oil	UV rays
	Concentrated	Diluted	Concentrated	Diluted	Hexane	Benzol	Acetone	Alcohol		
RESISTANT	LIMITED RESISTANCE	RESISTANT	LIMITED RESISTANCE	RESISTANT	RESISTANT	NOT RESISTANT	NOT RESISTANT	RESISTANT	LIMITED RESISTANCE	RESISTANT

**DIMENSIONS**
**13A unswitched socket**

**5A unswitched socket**
