

> INNOVA < Series

Switched socket outlets

No. REFERENCE SERIES

103.4011	103.4031	103.4111
103.4021	103.4041	


VERSIONS


13A single



13A double



15A single

REFERENCE STANDARDS

 Standards: **BS 1363-2 (1995)**
BS 546 (1950)
MARKING
QUALITY MARKS

TECHNICAL CHARACTERISTICS

Rated current: **13A – 15A**
 Rated voltage: **250V~**
 Frequency: **50Hz**
 Insulating voltage: **250V~**
 Protection degree: **IP20D**
 Operating temperature according to the reference standard: **-5°C+40°C**
 Max operating temperature: **+60°C**
 Glow Wire test: **850°C**
 Max. installation altitude: **2.000 m**
 Mounting box type : **Flush 1-2 gang (min. deepness: 25mm - 35mm for 15A)**
Surface 1-2 gang (min. deepness: 25mm - 35mm for 15A)
 Material: **Engineering plastic**
 Colour: **White RAL 9016**

CABLING OPERATIONS
Cabling capacity of the terminals:

3x2,5	mm ²
3x4	mm ²
2x6	mm ² (stranded)

> INNOVA < Series

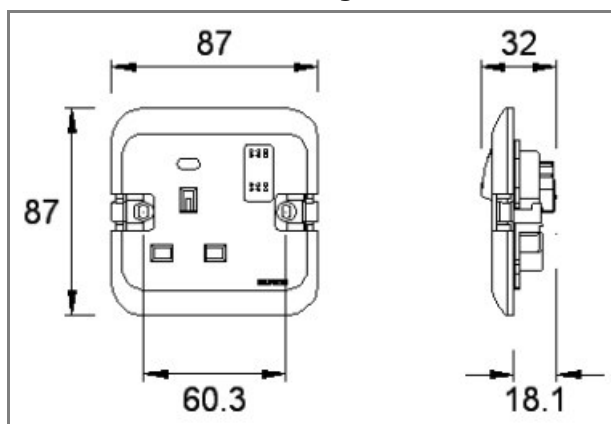
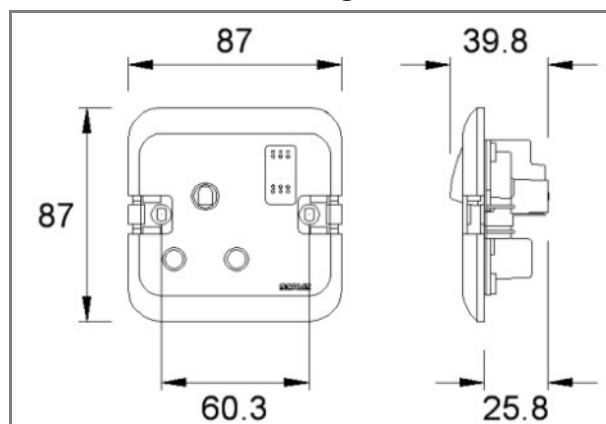
Switched socket outlets


No. REFERENCE SERIES

103.4011	103.4031	103.4111
103.4021	103.4041	

BEHAVIOUR WITH CHEMICAL AND ATMOSPHERIC AGENTS

Saline solution	Acids		Bases		Solvents				Mineral oil	UV rays
	Concentrated	Diluted	Concentrated	Diluted	Hexane	Benzol	Acetone	Alcohol		
RESISTANT	LIMITED RESISTANCE	RESISTANT	LIMITED RESISTANCE	RESISTANT	RESISTANT	NOT RESISTANT	NOT RESISTANT	RESISTANT	LIMITED RESISTANCE	RESISTANT

DIMENSIONS
13A single

15A single

13A double
