

> INNOVA < Series

Control devices – Cable outlet

No. REFERENCE SERIES

103.2032
103.2034



VERSIONS



20A cable outlet



45A cable outlet

REFERENCE STANDARDS

Standards: **BS EN 60998-2-1 (2004)**
BS 5733 (1995)

MARKING

Marking: **CE Marking** 

QUALITY MARKS

TECHNICAL CHARACTERISTICS

Rated current: **20A – 45A**
 Rated voltage: **250V~**
 Frequency: **50Hz**
 Insulating voltage: **250V~**
 Protection degree: **IP20D**
 Operating temperature according to the reference standard: **-5°C+40°C**
 Max. operating temperature: **60°C**
 Glow Wire test: **850°C**
 Max. installation altitude: **2.000 m**
 Mounting box type : **Flush 1 gang (min. deepness: 35mm)**
 Material: **Engineering plastic**
 Colour: **White RAL 9016**

CABLING OPERATIONS

Cabling capacity of the terminals:

20A
 3x2,5 mm²
 2x4 mm²
 1x6 mm²
45A
 4x4 mm²
 3x6 mm²
 1x16 mm²

> INNOVA < Series

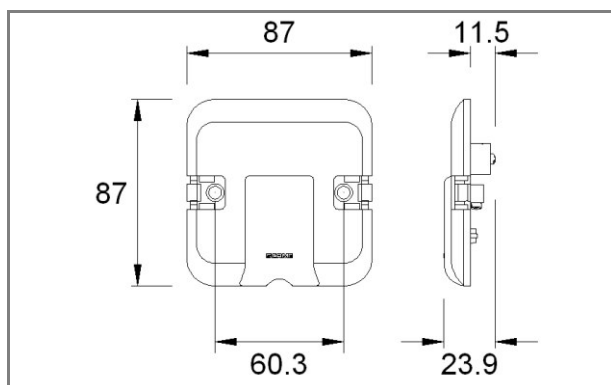
Control devices – Cable outlet


No. REFERENCE SERIES

103.2032
103.2034

BEHAVIOUR WITH CHEMICAL AND ATMOSPHERIC AGENTS

| Saline solution | Acids | | Bases | | Solvents | | | | Mineral oil | UV rays |
|-----------------|--------------------|-----------|--------------------|-----------|-----------|---------------|---------------|-----------|--------------------|-----------|
| | Concentrated | Diluted | Concentrated | Diluted | Hexane | Benzol | Acetone | Alcohol | | |
| RESISTANT | LIMITED RESISTANCE | RESISTANT | LIMITED RESISTANCE | RESISTANT | RESISTANT | NOT RESISTANT | NOT RESISTANT | RESISTANT | LIMITED RESISTANCE | RESISTANT |

DIMENSIONS
20A cooker

45A cooker
