

> CONTROL DEVICES



> VERSIONS

	Switches - 1 gang - one way (single pole) - two way (single pole) - intermediate switch - bell push
	Switches - 2 gang - one way (single pole) - two way (single pole)
	Switches - 3 gang - one way (single pole) - two way (single pole)
	Switches - 4 gang - one way (single pole) - two way (single pole)
	Switches - 6 gang - one way (single pole)

> REFERENCE STANDARDS

EN 60669-1
Switches for household
and similar fixed-electrical installations
Part 1: general requirements

> QUALITY MARKS



> TECHNICAL CHARACTERISTICS

Rated current:	10A - 10AX - 20AX
Rated voltage:	250V~
Frequency:	50Hz
Insulating voltage:	250V~
Protection degree:	IP20D
Operating temperature according to the reference standard:	-5°C+40°C
Max. operating temperature:	+60°C
Glow Wire test:	850°C
Operating testing:	40.000 operations at rated current 100.000 operations for mechanical life
Max. installation altitude:	2.000 m
Mounting box type:	Flush 1-2 gang (min. deepness: 25mm) Surface 1-2 gang (min. deepness: 17mm)
Material:	Engineering plastic
Colour:	White RAL 9016

> BEHAVIOUR WITH CHEMICAL AND ATMOSPHERIC AGENTS

Saline solution	Acids		Bases		Solvents				Mineral oil	UV rays
	Concentrated	Diluted	Concentrated	Diluted	Hexane	Benzol	Acetone	Alcohol		
Resistant	Limited Resistance	Resistant	Limited Resistance	Resistant	Resistance	Not Resistant	Not Resistant	Resistant	Limited Resistance	Resistant

> WIRING AND INSTALLATION

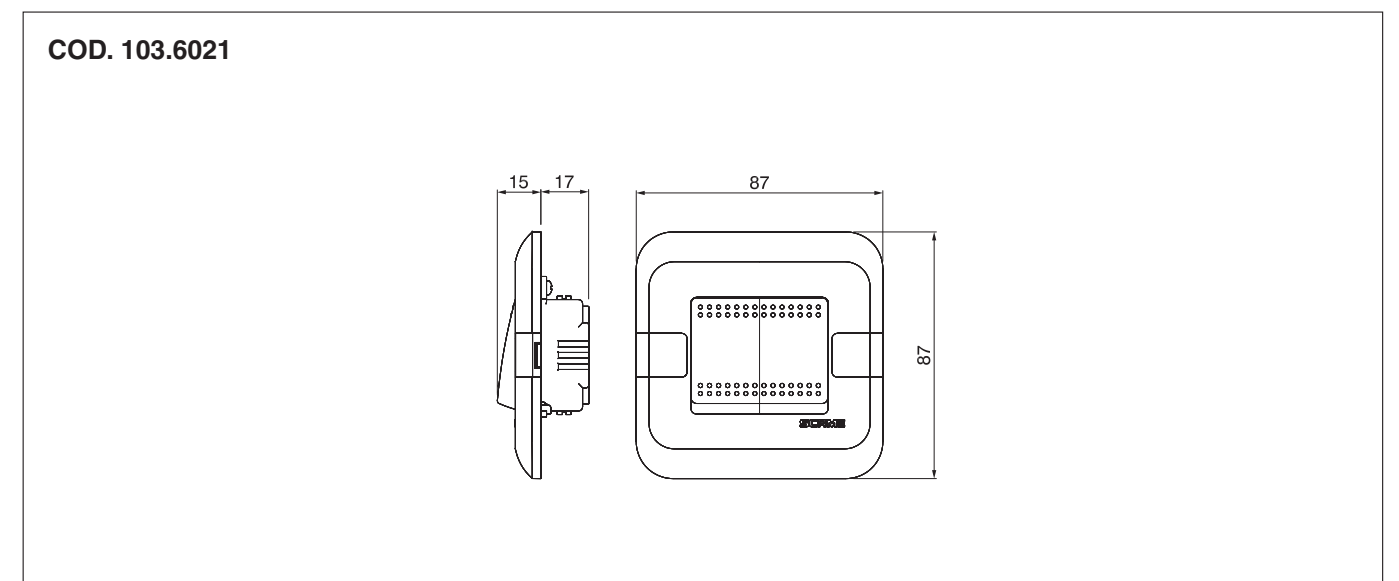
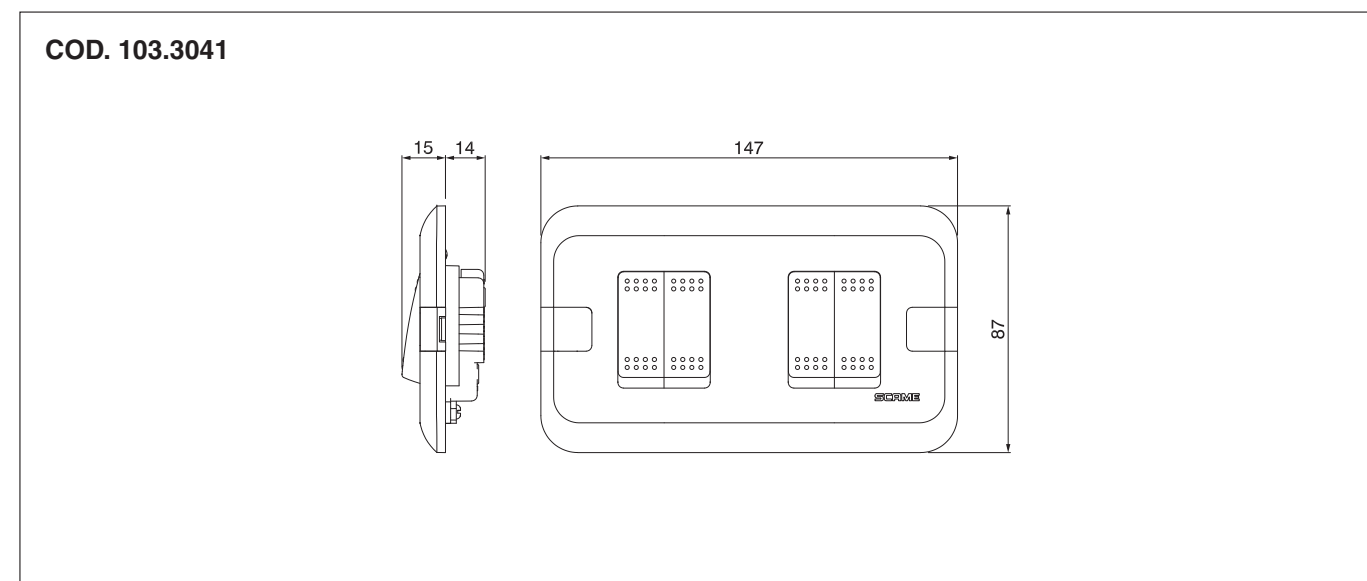
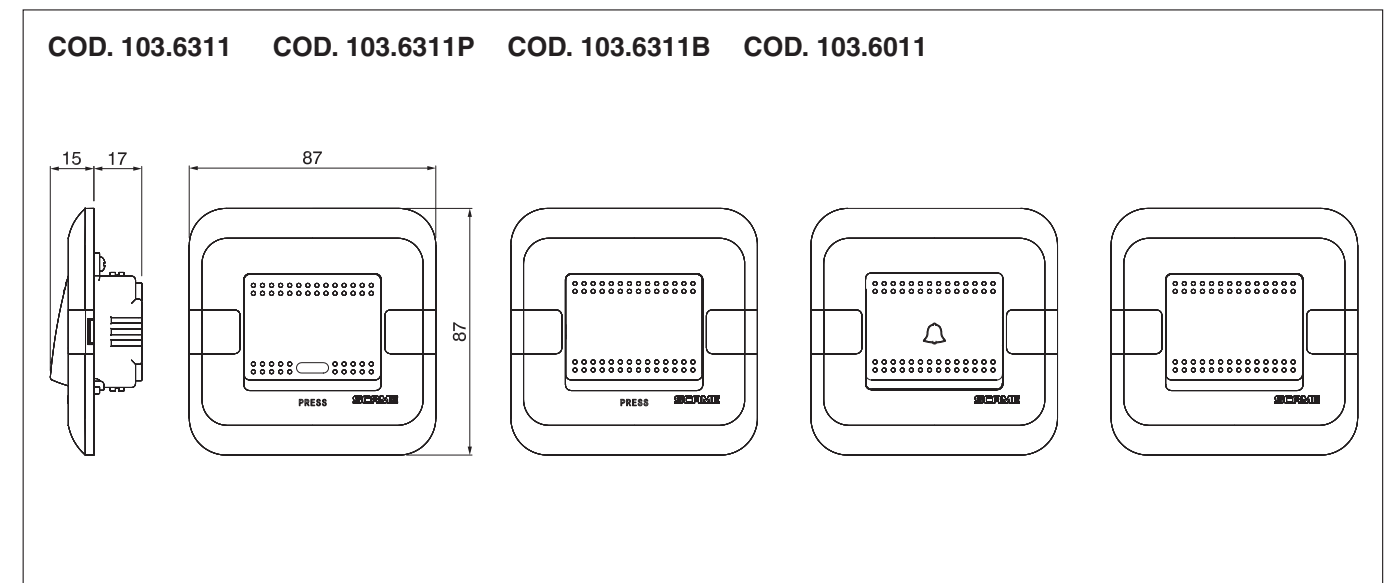
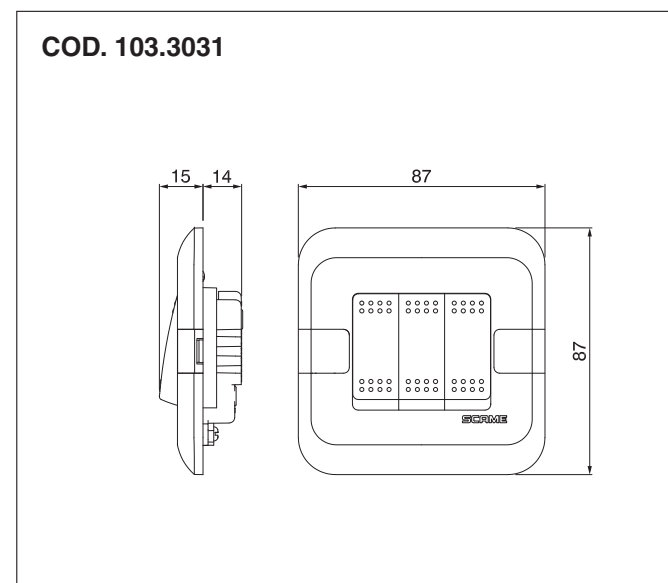
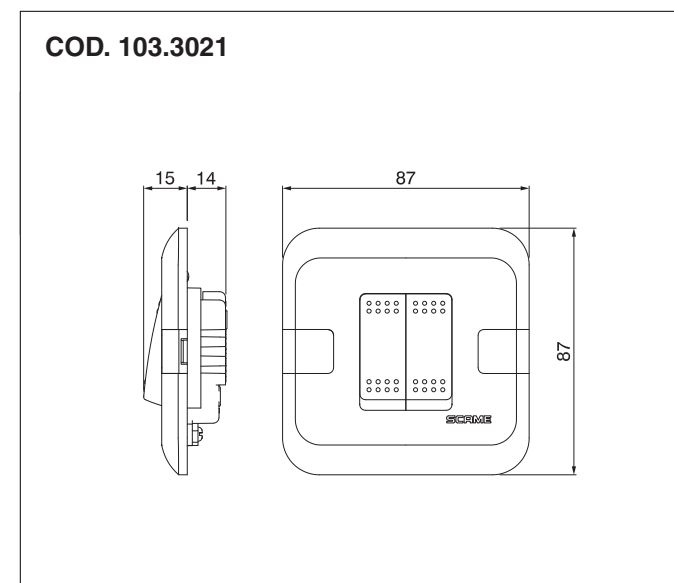
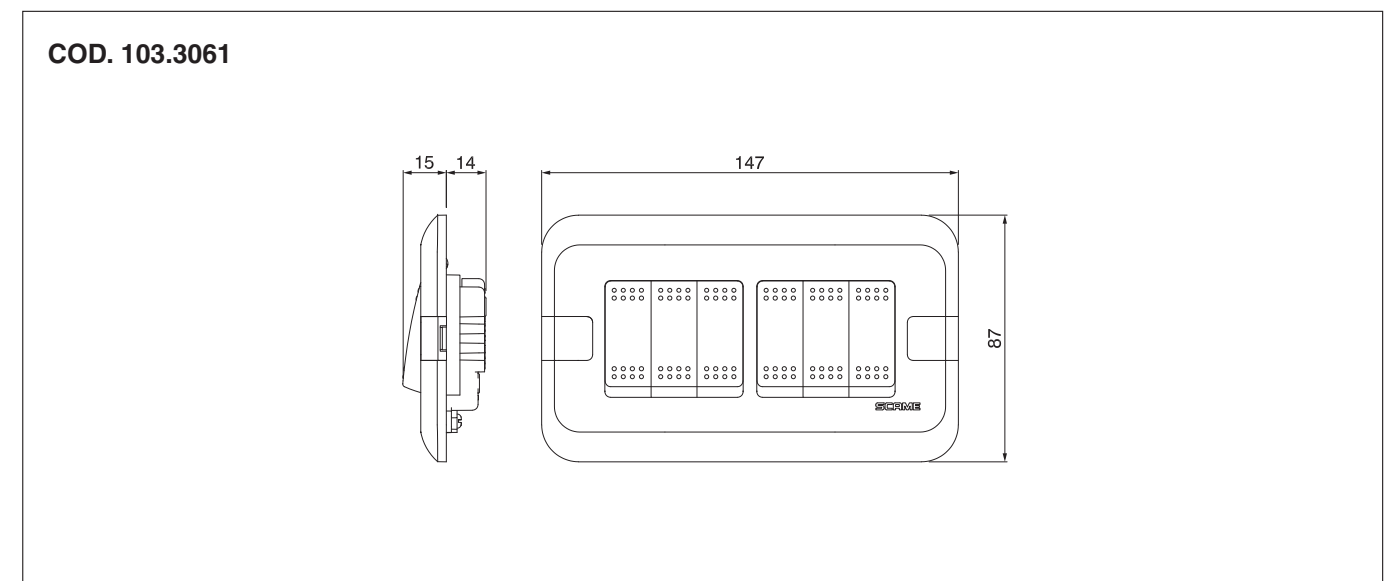
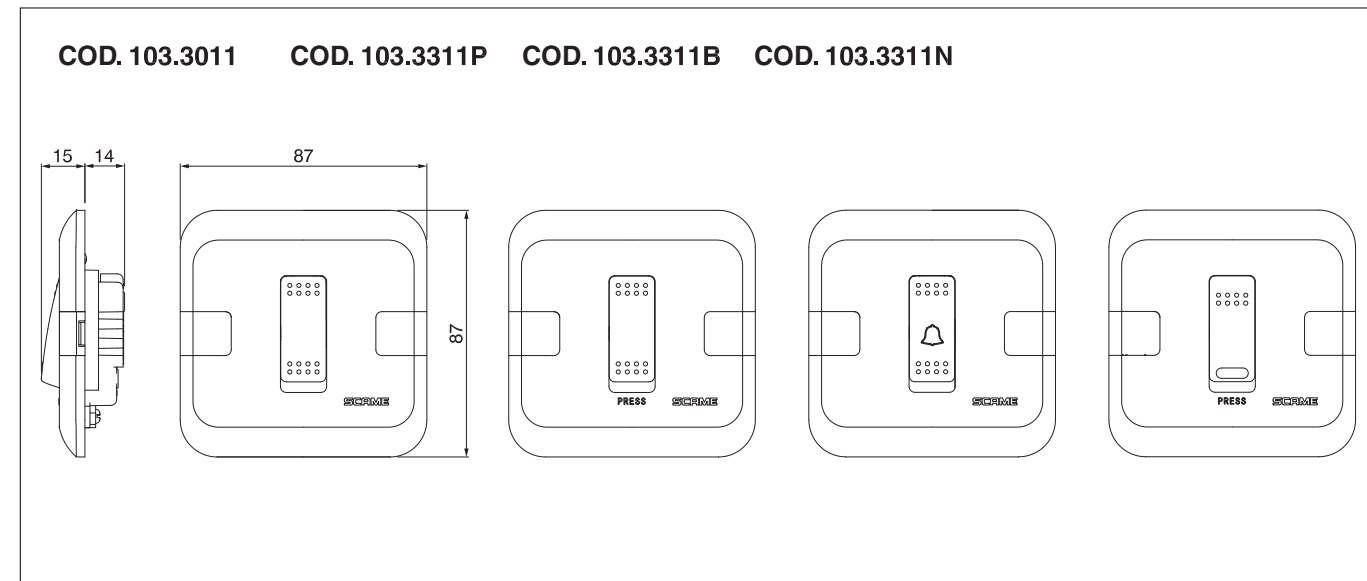
Wiring capacity of the terminals

10A switches	20A switches
4x1 mm ²	4x1 mm ²
3x1,5 mm ²	4x1.5 mm ²
2x2,5 mm ²	3x2.5 mm ²
1x4 mm ²	2x4 mm ²
1x6 mm ²	1x6 mm ²

> APPLICATION EXAMPLES



> DIMENSIONS



(Dimensioni in mm)