

> INDUSTRIAL PLUGS AND SOCKETS



> REFERENCE STANDARDS

EN 60309-1
Plugs, socket-outlets and couplers for industrial purposes
Part 1: general requirements

EN 60309-2
Plugs, socket-outlets and couplers for industrial purposes
Part 2: dimensional interchangeability requirements for pin and contact-tube accessories.

> QUALITY MARKS



> VERSIONS

	Plugs and connectors
	Panel mounting socket outlets
	Surface mounting socket outlets

> TECHNICAL CHARACTERISTICS

Rated current:	16A - 32A
Rated voltage:	<50V~
Frequency:	c.c. - 50÷500Hz
Insulating voltage:	500/690V~
Protection degree:	IP44 - IP66/IP67
Operating temperature according to the reference standard:	-25°C+40°C
Max. operating temperature:	60°C
Glow Wire test:	650°C/850°C
Material:	Engineering plastic
IK degree at 20°C:	IK08 - IK10
Cable inlets:	Cable sleeve IP44 Cable gland IP66/IP67

> BEHAVIOUR WITH CHEMICAL AND ATMOSPHERIC AGENTS

Saline solution	Acids		Bases		Solvents				Mineral oil	UV rays
	Concentrated	Diluted	Concentrated	Diluted	Hexane	Benzol	Acetone	Alcohol		
Resistant	Limited Resistance	Resistant	Limited Resistance	Resistant	Resistant	Limited Resistance	Not Resistant	Resistant	Resistant	Resistant

> WIRING AND INSTALLATION

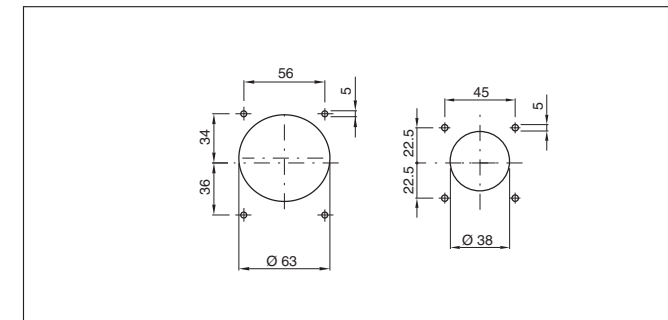
Wiring capacity of the terminals (mm²)

Rated voltage	Rated current (A)	Plugs, connectors and appliance inlets		Socket outlets	
		Min	Max	Min	Max
<50V	16A	4	10	4	10
	32A	4	10	4	10

Max. cable size accepted by the cable clamp:

Rated current (A)	Outside Ø mm	
	Min	Max
16A	8	15
32A	11,5	21

> FIXING



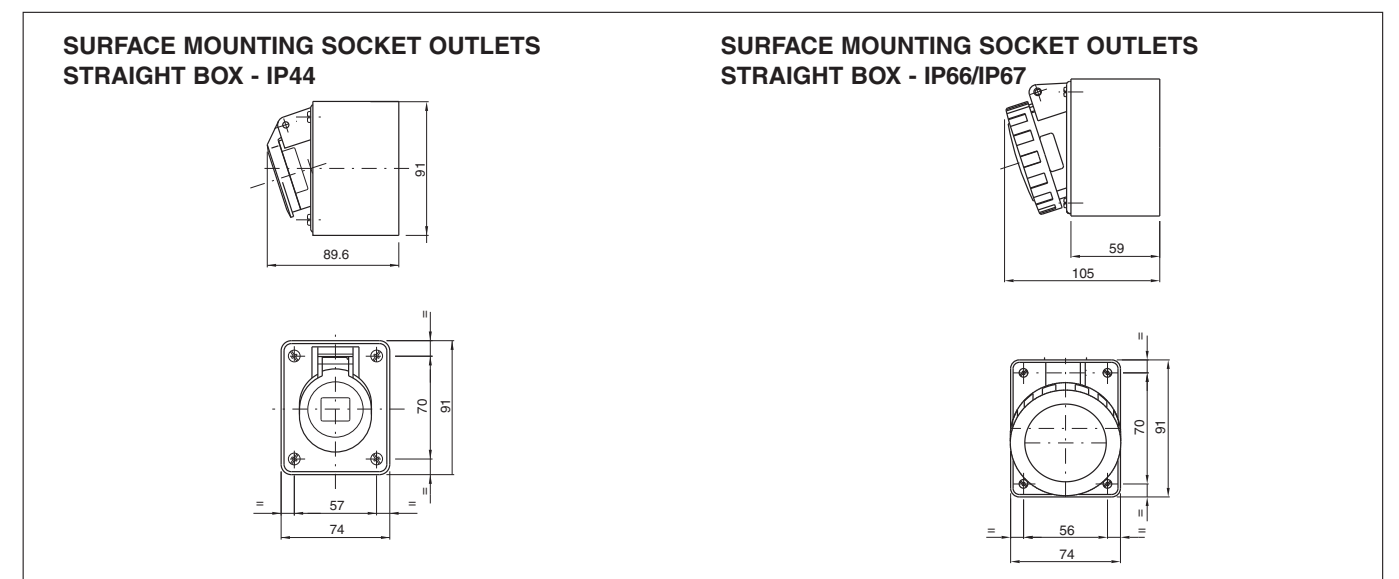
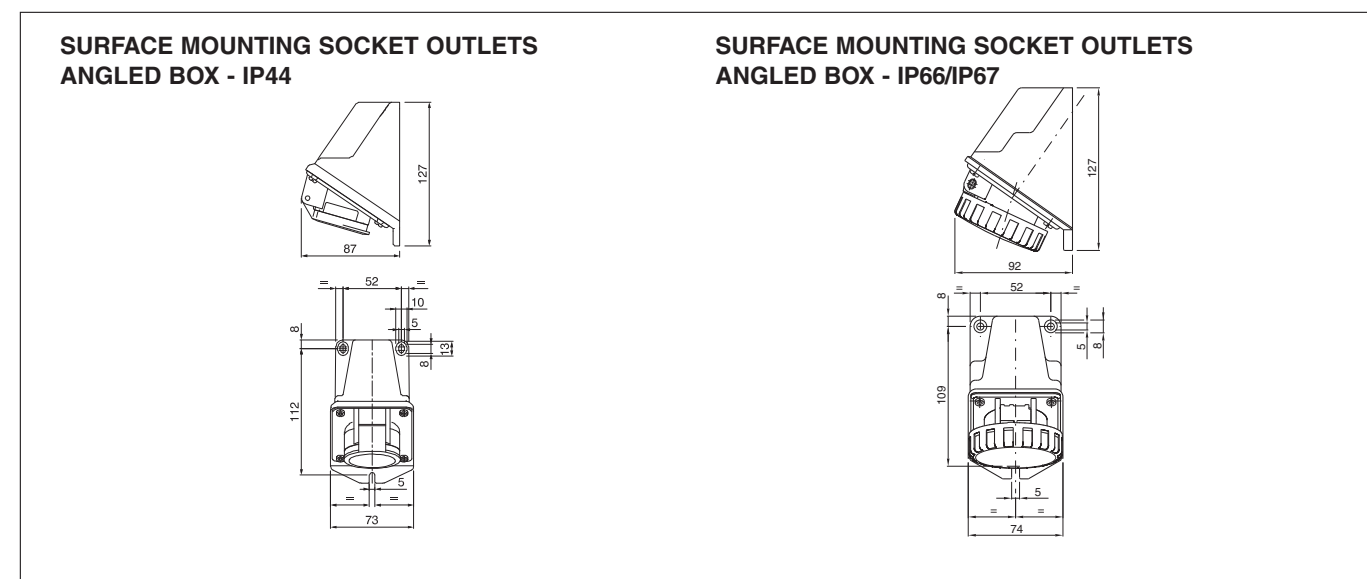
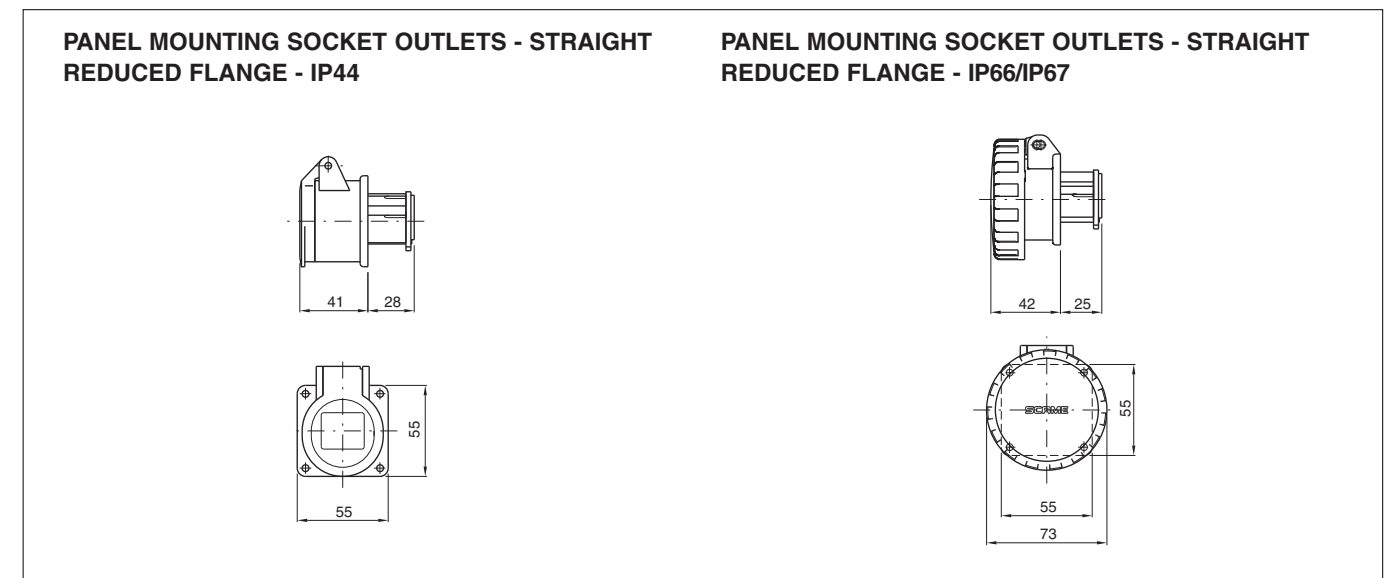
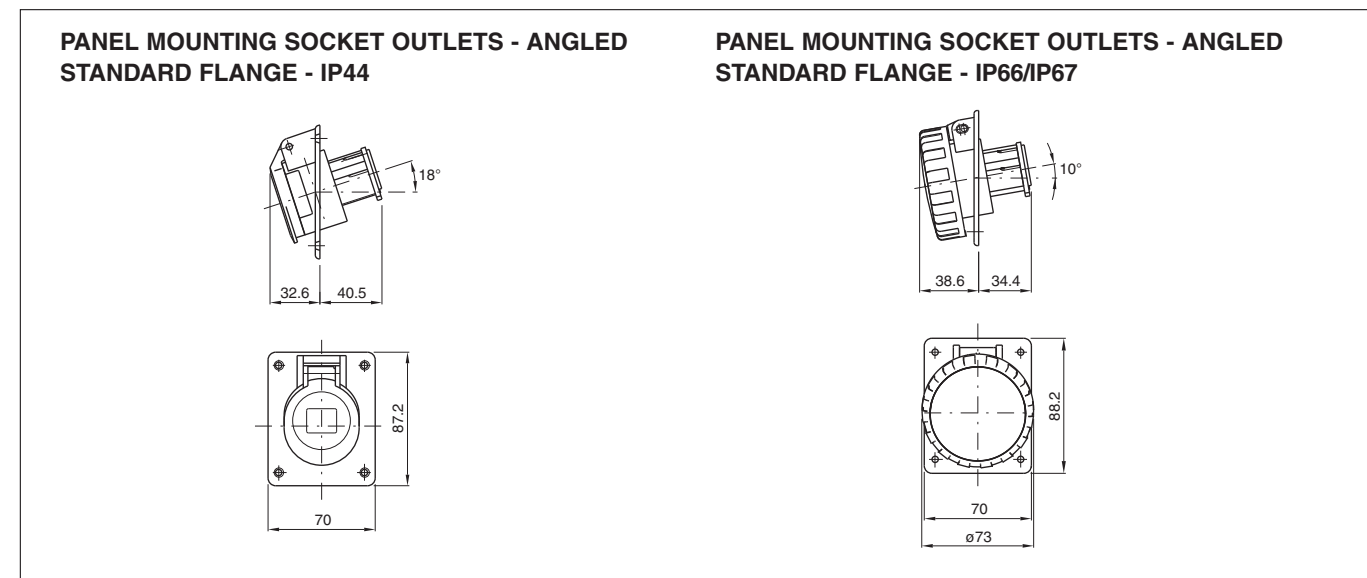
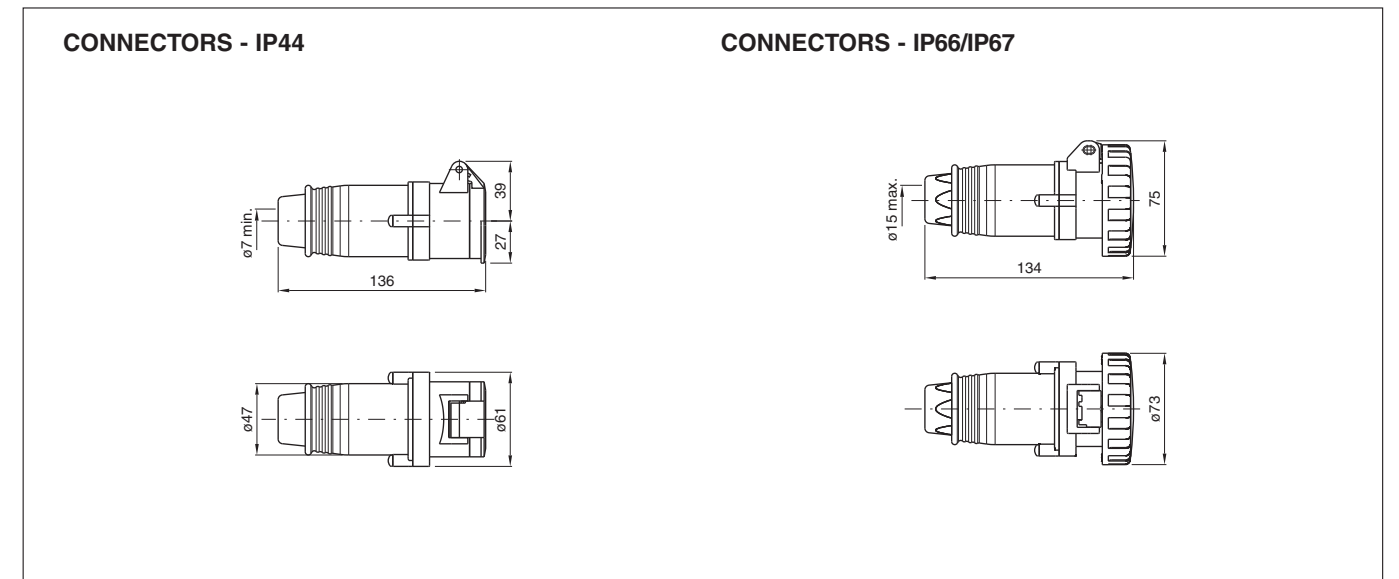
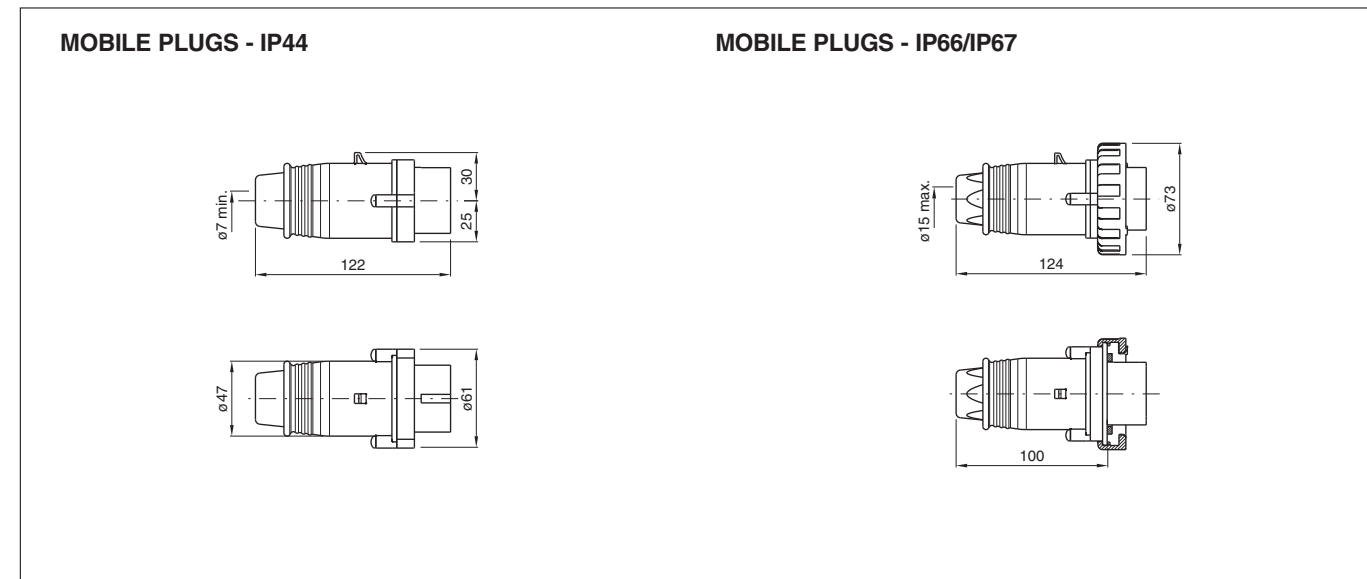
(Dimensions in mm)

SCAME sockets for voltage < 50V can be surface mounted or panel mounted on panel boards, or where the surface is set up with the following perforation.

> APPLICATION EXAMPLES



> DIMENSIONS



(Dimensioni in mm)

(Dimensioni in mm)