

IEC309 Series

Industrial plugs and sockets
Rated operating voltage <50V

No. Reference SERIES

230 – 235

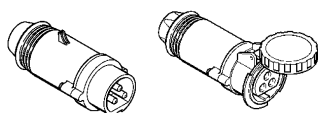
330 – 335

430 – 435

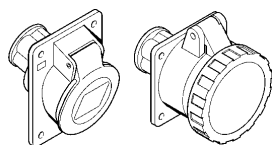
530 – 535



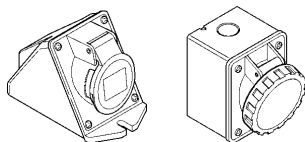
Versioni



Plugs and connectors



Panel mounting socket outlets



Surface mounting socket outlets

Reference standards

Standards: **EN 60309-1 (1999)**
EN 60309-2 (1999)

Marking

Quality marks



TECHNICAL characteristics:

Rated current: **16A-32A**

Rated voltage: **<50V~**

Frequency: **c.c. - 50 ÷ 500Hz**

Insulating voltage: **500/690V~**

Protection degree: **IP44-IP67**

Operating temperature according
to the reference standard: **-25°C+40°C**

Max operating temperature: **60°C**

Glow Wire test: **650°C/850°C**

Material: **Engineering plastic**

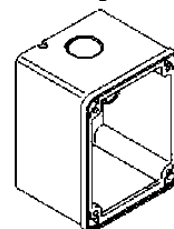
IK degree at 20°C: **IK08/IK10**

Cable inlets: **Cable sleeve IP44**
Cable gland IP67

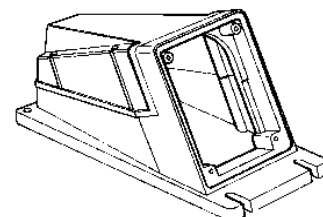
Accessories

Empty surface mounting boxes

Straight



Angled



IEC309 Series

Industrial plugs and sockets
Rated operating voltage <50V



No. Reference SERIES

230 – 235
330 – 335
430 – 435
530 – 535

CABLING operations

Cabling capacity of the terminals (mm²)

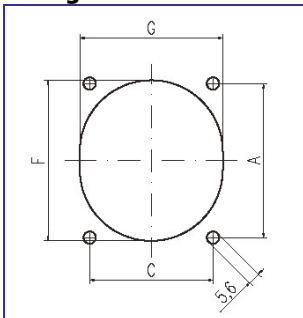
Rated voltage	Rated current (A)	Plugs, connectors and appliance inlets		Socket outlets	
		Min	Max	Min	Max
< 50V	16A	4	10	4	10
	32A	4	10	4	10

Max. cable size accepted by the cable clamp:

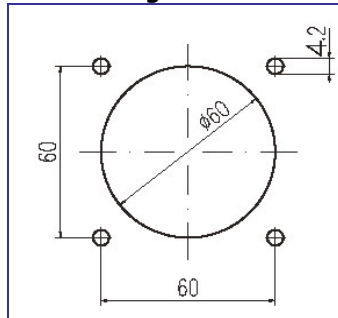
Rated current (A)	Outside Ø mm	
	Min	Max
16A	8	15
32A	11,5	21

Dimensions

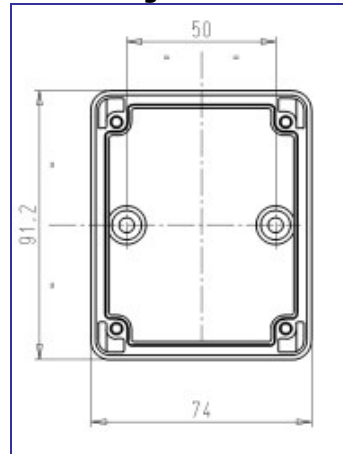
Flange 70x87 – 84x106



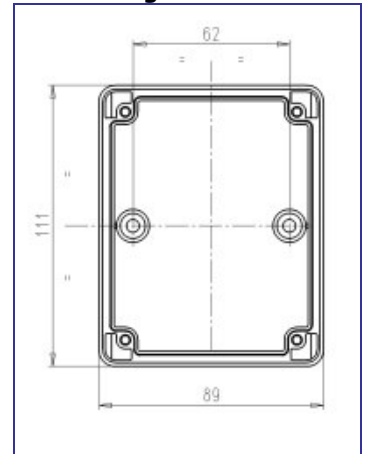
Flange 75x75



Straight box 16A



Straight box 32A



		C	D
16A	2P+E	56	70
	3P+E	56	70
	3P+N+E	56	70
32A	2P+E	68	84
	3P+E	68	84
	3P+N+E	68	84

Behaviour with CHEMICAL and ATMOSPHERIC AGENTS

Saline solution	Acids		Bases		Solvents				Mineral oil	UV rays
	Concentrated	Diluted	Concentrated	Diluted	Hexane	Benzol	Acetone	Alcohol		
RESISTANT	LIMITED RESISTANCE	RESISTANT	LIMITED RESISTANCE	RESISTANT	RESISTANT	LIMITED RESISTANCE	NOT RESISTANT	RESISTANT	RESISTANT	RESISTANT