

IEC309 Series

Industrial plugs and sockets

No. Reference SERIES

210 – 215 – 240 – 245 – 246

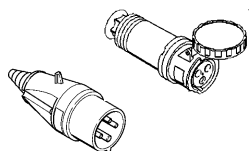
310 – 315 – 321 – 326

410 – 415 – 420

515



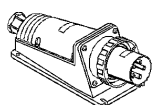
Versions



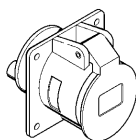
Plugs and connectors



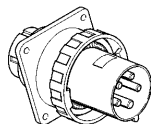
Angled panel mounting socket outlets



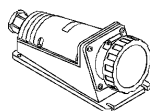
Appliance inlets



Straight panel mounting socket o outlets



Panel mounting appliance inlets



Panel mounting socket outlets angled box

Reference standards

Standards: **EN 60309-1 (1999)**
EN 60309-2 (1999)

Marking

Marking: **CE Marking** **CE**

Quality marks

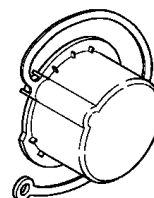


TECHNICAL characteristics:

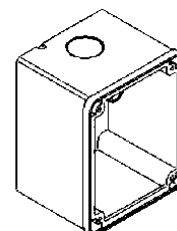
Rated current: **16A-32A-63A-125A**
 Rated voltage: **100÷690V~**
 Frequency: **c.c. - 50÷500Hz**
 Insulating voltage: **500/690V~**
 Protection degree: **IP44-IP67**
 Operating temperature according to the reference standard: **-25°C+40°C**
 Max operating temperature: **60°C**
 Glow Wire test: **650°C/850°C**
 Material: **Engineering plastic**
 IK degree at 20°C: **IK08**
 Cable inlets: **Cable sleeve IP44**
Cable gland IP67

Accessories

Cover for IP44 and IP67 plugs



Empty surface mounting boxes



IEC309 Series

Industrial plugs and sockets

No. Reference SERIES

211 – 216 – 221 – 226 – 242 – 247

311 – 316 – 321 – 326

412 – 417 – 422 – 427 – 452 – 457

512 – 517 – 522 – 527



CABLING operations

Cabling capacity of the terminals (mm²)

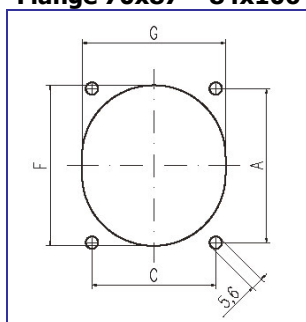
Rated voltage	Rated current (A)	Plugs, connectors and appliance inlets		Socket outlets	
		Min	Max	Min	Max
Over 50V	16A	1	2,5	1,5	4
	32A	2,5	6	2,5	10
	63A	6	16	6	25
	125A	16	50	25	70

Max. cable size accepted by the cable clamp:

Rated current (A)	Outside Ø mm	
	Min	Max
16A	8	15
32A	11,5	21
63A	7	31
125A	26	48

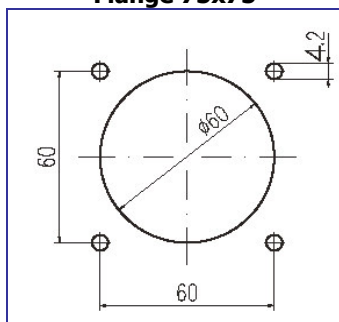
Dimensions

Flange 70x87 – 84x106

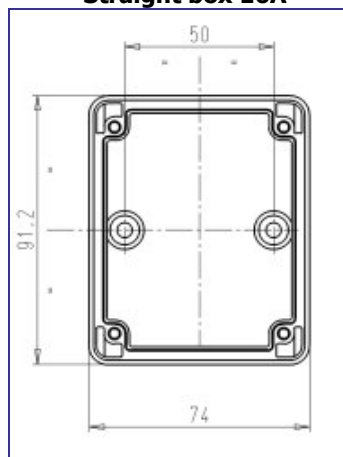


		C	D
16A	2P+E	56	70
	3P+E	56	70
	3P+N+E	56	70
32A	2P+E	68	84
	3P+E	68	84
	3P+N+E	68	84

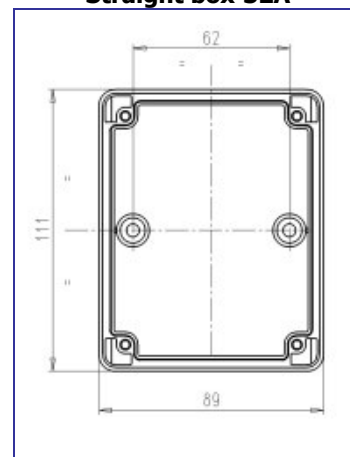
Flange 75x75



Straight box 16A



Straight box 32A



Behaviour with CHEMICAL and ATMOSPHERIC AGENTS

Saline solution	Acids		Bases		Solvents				Mineral oil	UV rays
	Concentrated	Diluted	Concentrated	Diluted	Hexane	Benzol	Acetone	Alcohol		
RESISTANT	LIMITED RESISTANCE	RESISTANT	RESISTANT	RESISTANT	LIMITED RESISTANCE	LIMITED RESISTANCE	RESISTANT	RESISTANT	RESISTANT	RESISTANT