

> LIGHT FITTINGS



> REFERENCE STANDARDS

**EN 60598-1**  
Luminaires  
*Part 1: general requirements and tests*

**EN 60598-2-8**  
Luminaires  
*Part 2: particular requirements*

> QUALITY MARKS



> TECHNICAL CHARACTERISTICS

Protection degree:	<b>IP20 - IP65</b>
Operating temperature according to the reference standard:	<b>-5°C+35°C</b>
Rated wattage:	<b>60W</b>
Glow Wire test:	<b>650°C</b>
IK degree at 20°C:	<b>IK08 (IP65 version) IK09 (IP20 version)</b>
Cable inlet:	<b>8-13mm (version without cable)</b>
Double insulation <input checked="" type="checkbox"/> :	<b>Yes (Class II)</b>
Lampholder type:	<b>E27</b>
Material:	<b>Engineering plastic</b>

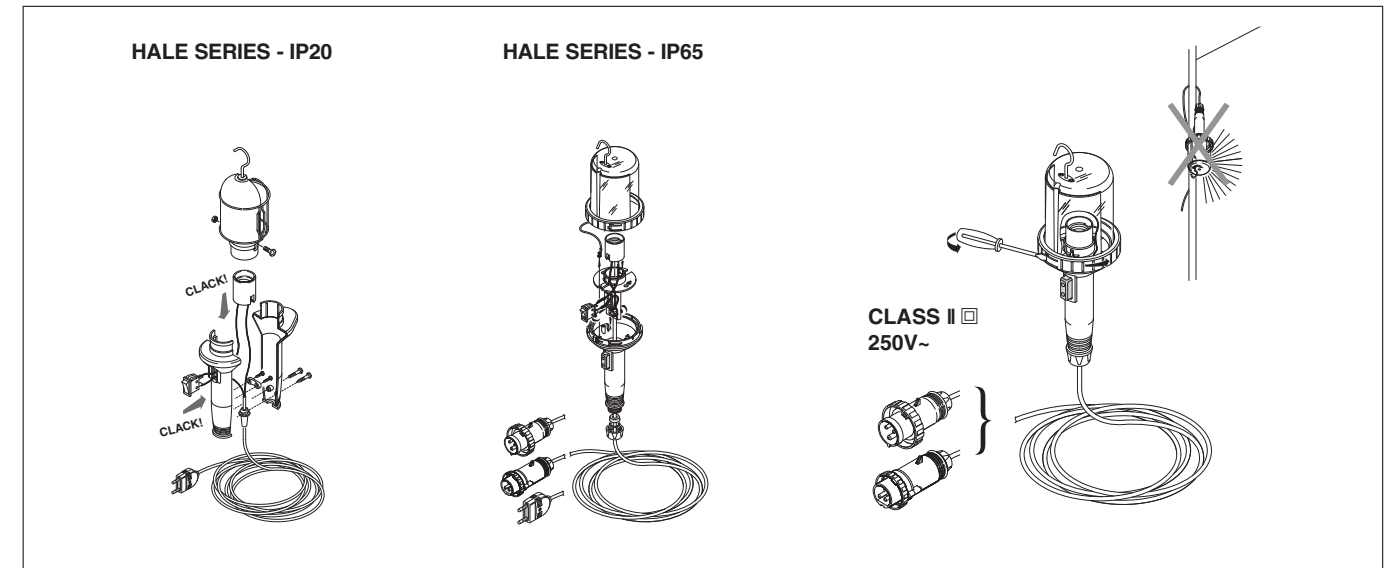
> VERSIONS

	HALE Series - IP20 - Standard version - Heavy duty version
	HALE Series - IP65

> BEHAVIOUR WITH CHEMICAL AND ATMOSPHERIC AGENTS

Saline solution	Acids		Bases		Solvents				Mineral oil	UV rays
	Concentrated	Diluted	Concentrated	Diluted	Hexane	Benzol	Acetone	Alcohol		
Resistant	Limited Resistance	Resistant	Limited Resistance	Limited Resistance	Limited Resistance	Not Resistant	Not Resistant	Resistant	Limited Resistance	Resistant

> INSTALLATION



> APPLICATION EXAMPLES

