

EUREKA Series

Industrial plugs and sockets

No. Reference SERIES

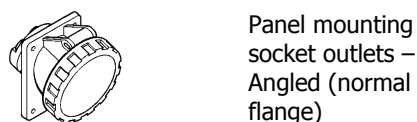
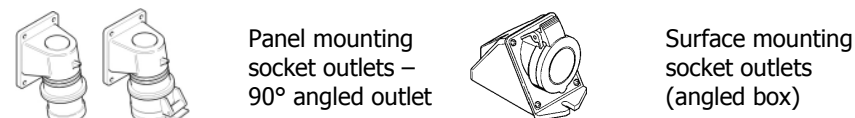
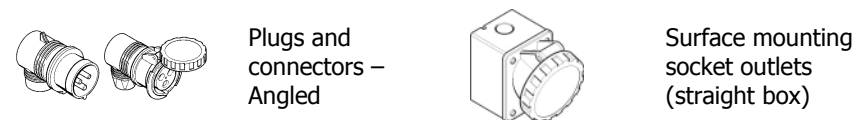
211 – 216 – 221 – 226 – 242 – 247

311 – 316 – 321 – 326

412 – 417 – 422 – 427 – 452 – 457

512 – 517 – 522 – 527

Versions



Reference standards

Standards: **EN 60309-1 (1999)**
EN 60309-2 (1999)

Marking

Marking: **CE Marking** 

Quality marks



TECHNICAL characteristics

Rated current: **16A-32A**
 Rated voltage: **100÷690V~**
 Frequency: **c.c. - 50÷500Hz**
 Insulating voltage: **500/690V~**
 Protection degree: **IP44-IP67**
 Operating temperature according to the reference standard: **-25°C+40°C**
 Max operating temperature: **60°C**
 Glow Wire test: **650°C/850°C**
 Material: **Engineering plastic**
 IK degree at 20°C: **IK06/IK09**
 Cable inlets: **Cable sleeve IP44**
Cable gland IP67

MAIN characteristics

THE SNAP-ON DEVICE

Snap-action opening and closing

A patented "SNAP-ON" device provides snap-action opening and closing of EUREKA Series plugs and sockets.

The "SNAP-ON" device significantly cuts down on wiring time: it opens by pressing down on the spring with a tool and closes simply by twisting the grip or the insert.

OPENING:

The device is supplied in the open position: simply twist the insert to open



EUREKA Series

Industrial plugs and sockets



No. Reference SERIES

211 – 216 – 221 – 226 – 242 – 247

311 – 316 – 321 – 326

412 – 417 – 422 – 427 – 452 – 457

512 – 517 – 522 – 527

CABLING operations

Cabling capacity of the terminals (mm²)

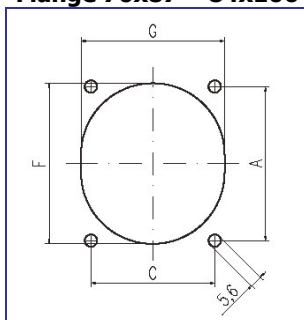
Rated voltage	Rated current (A)	Plugs, connectors and appliance inlets		Socket outlets	
		Min	Max	Min	Max
Over 50V	16A	1	2,5	1,5	4
	32A	2,5	6	2,5	10
50V or less	16A	4	10	4	10
	32A	4	10	4	10

Max. cable size accepted by the cable clamp:

Rated current (A)	Outside Ø mm	
	Min	Max
16A	8	15
32A	11,5	21

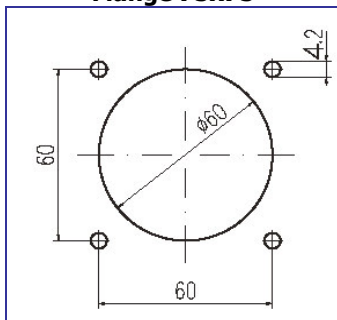
Dimensions

Flange 70x87 – 84x106

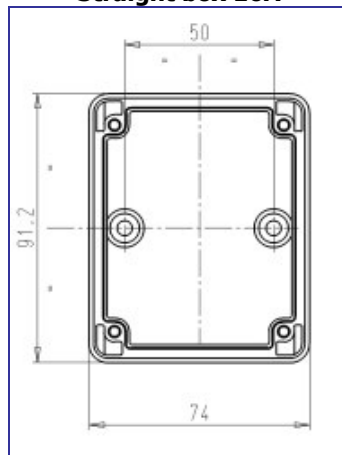


		C	D
16A	2P+E	56	70
	3P+E	56	70
	3P+N+E	56	70
32A	2P+E	68	84
	3P+E	68	84
	3P+N+E	68	84

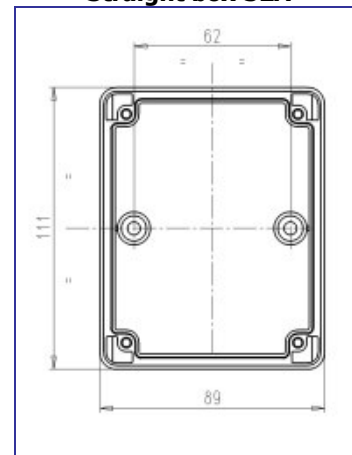
Flange 75x75



Straight box 16A



Straight box 32A



Behaviour with CHEMICAL and ATMOSPHERIC AGENTS

Saline solution	Acids		Bases		Solvents				Mineral oil	UV rays
	Concentrated	Diluted	Concentrated	Diluted	Hexane	Benzol	Acetone	Alcohol		
RESISTANT	LIMITED RESISTANCE	RESISTANT	LIMITED RESISTANCE	RESISTANT	NOT RESISTANT	NOT RESISTANT	NOT RESISTANT	LIMITED RESISTANCE	RESISTANT	RESISTANT