

DOMINO Series

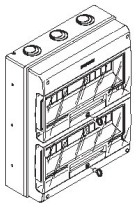
Consumer units and enclosures

No. Reference SERIES

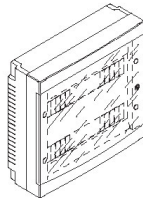
672 – 673 – 674 – 675



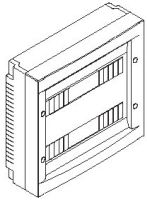
Versions



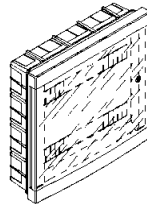
Surface mounting – IP66



Surface mounting – IP40
With window



Surface mounting – IP40
Without window



Flush mounting – IP40
With window

Reference standards

Standards: **IEC 60670**
CEI 23-49

Marking

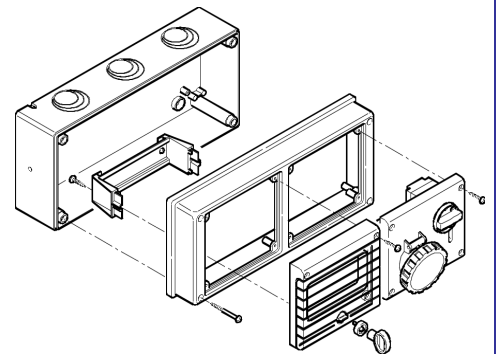
Marking: **CE Marking** **CE**

Quality marks



TECHNICAL characteristics:

Protection degree: **IP40-IP66**
 Operating temperature according to the reference standard: **-25°C+60°C**
 Max operating temperature: **60°C**
 Glow Wire test: **650°C**
 Material: **Engineering plastic**
 IK degree at 20°C: **IP40: IK06 - IP66: IK07**
 Cable inlet: **PG/METRIC**
 Double insulation : **YES**
 Halogen free: **YES**
 Dissipable power: **9÷140W**
 Colour: **Grey RAL 7035 - White RAL 9003**
 Terminal blocks fixing possibility: **YES**



Installation with 6 DIN modules and interlocked switch socket outlet

Behaviour with CHEMICAL and ATMOSPHERIC AGENTS

Saline solution	Acids		Bases		Solvents				Mineral oil	UV rays
	Concentrated	Diluted	Concentrated	Diluted	Hexane	Benzol	Acetone	Alcohol		
RESISTANT	LIMITED RESISTANCE	RESISTANT	LIMITED RESISTANCE	RESISTANT	RESISTANT	NOT RESISTANT	NOT RESISTANT	RESISTANT	NOT RESISTANT	RESISTANT