



> DISTRIBUTION ASSEMBLIES




> VERSIONS



BLOCK 1 (110x280x95mm)
- Portable or surface mounting empty units.



BLOCK 3 (136x440x114mm)
- Surface mounting
- Panel mounting
- Mobile on appropriate stand
- Portable with cable and plug



BLOCK 4 (212x415x114mm)
- Surface mounting
- Panel mounting
- Mobile on appropriate stand
- Portable with cable and plug

> REFERENCE STANDARDS

CEI 23-49
Enclosure for accessories for household and similar fixed electrical installations.
Part 2: particular requirements for enclosures for protection devices and accessories dissipating a considerable power in normal use

EN 60670-1
Boxes and enclosures for electrical accessories for household and similar fixed electrical installations.
Part 1: general requirements

EN 60439-1
Low voltage switchgear and control gear assemblies
Part 1: type-tested and partially type-tested assemblies

EN 60439-4
Low voltage switchgear and control gear assemblies
Part 4: Particular requirements for assemblies for construction sites (ACS)

> QUALITY MARKS



> TECHNICAL CHARACTERISTICS

Rated current:	IP44 - IP66
Operating temperature according to the reference standard:	-25°C+35°C
Max. operating temperature:	60°C
Glow Wire test:	650°C
Material:	Engineering plastic
IK degree at 20°C:	IK08
Cable inlet:	PG13,5 - PG21
Total insulation <input type="checkbox"/>	Yes
Dissipable power according to CEI 23-49 standard:	8-14W
Colour:	Grey RAL 7035

> BEHAVIOUR WITH CHEMICAL AND ATMOSPHERIC AGENTS

Saline solution	Acids		Bases		Solvents				Mineral oil	UV rays
	Concentrated	Diluted	Concentrated	Diluted	Hexane	Benzol	Acetone	Alcohol		
Resistant	Limited Resistance	Resistant	Limited Resistance	Resistant	Not Resistant	Not Resistant	Not Resistant	Limited Resistance	Resistant	Resistant



BLOCK 3 Series

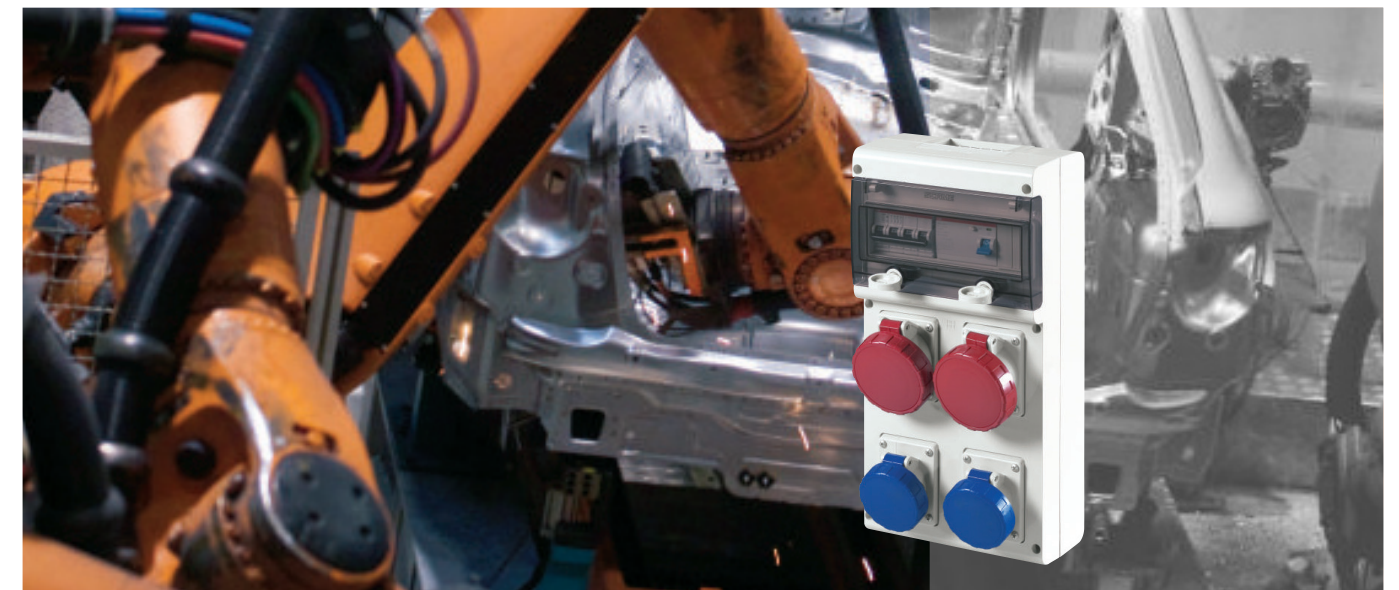


BLOCK 4: built-in foldaway handle.

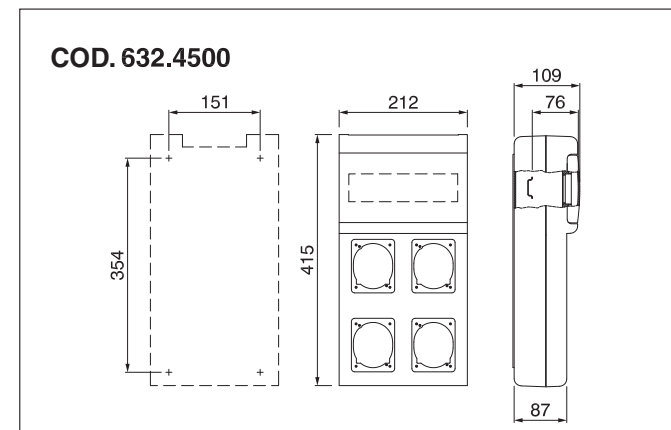
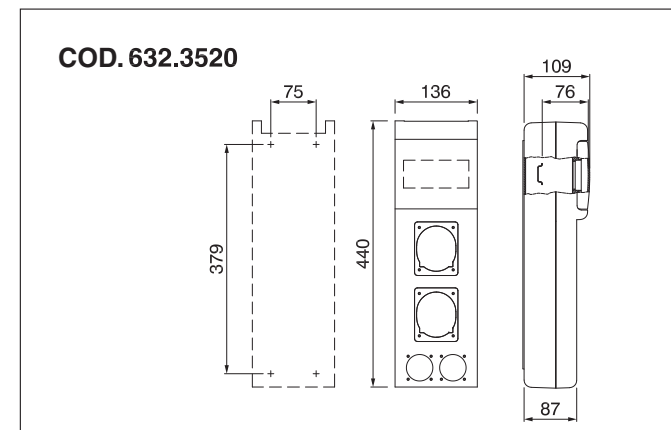
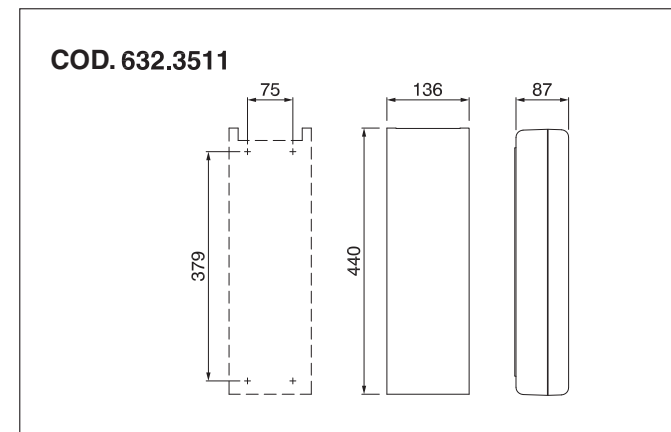
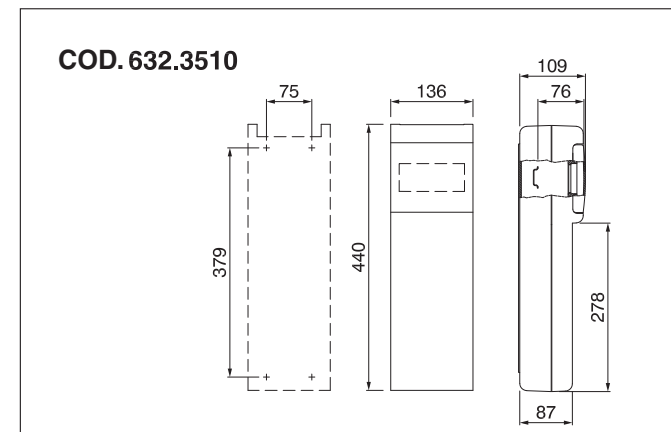
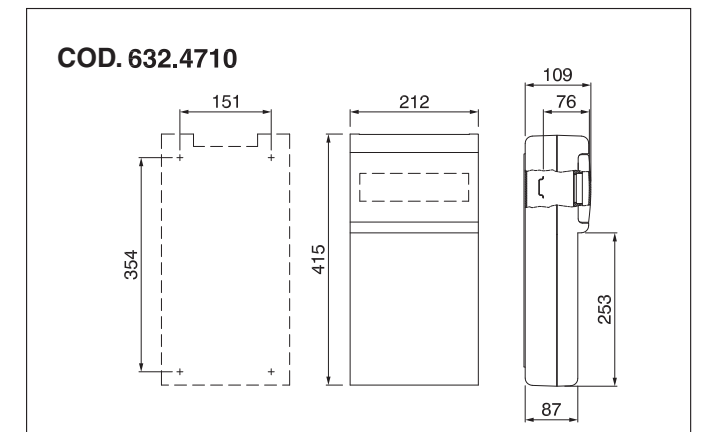
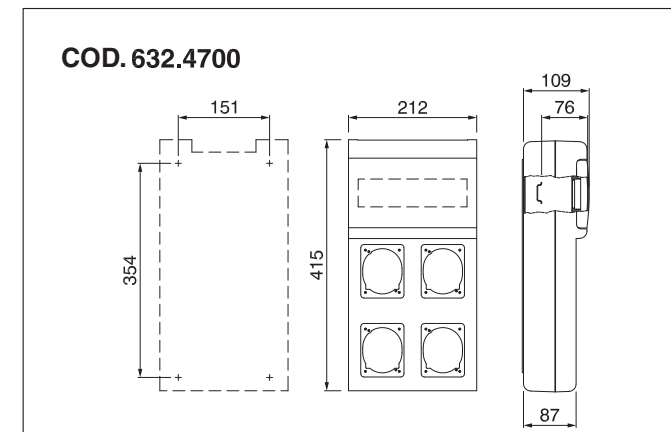
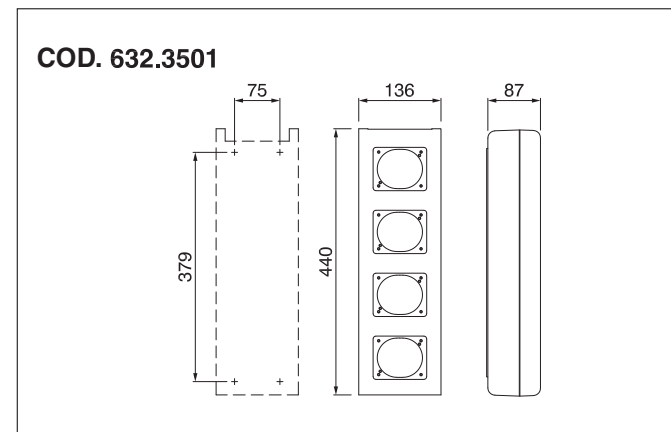
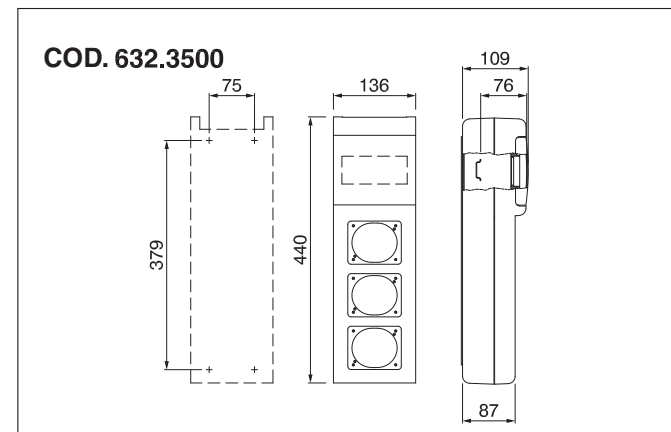
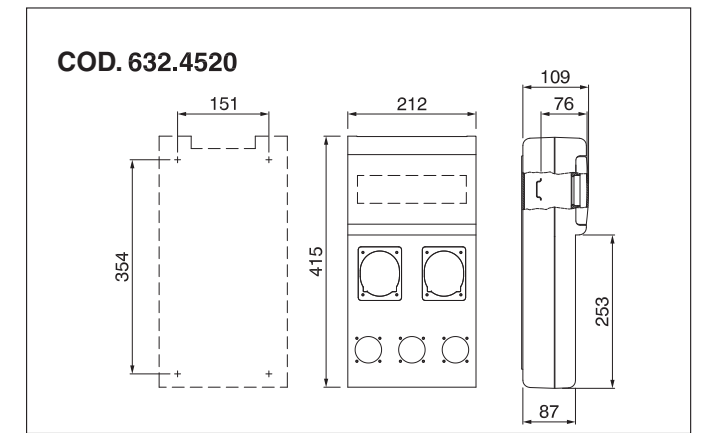
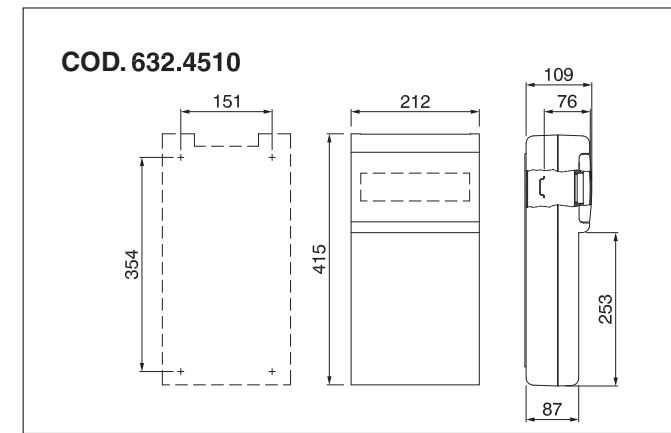
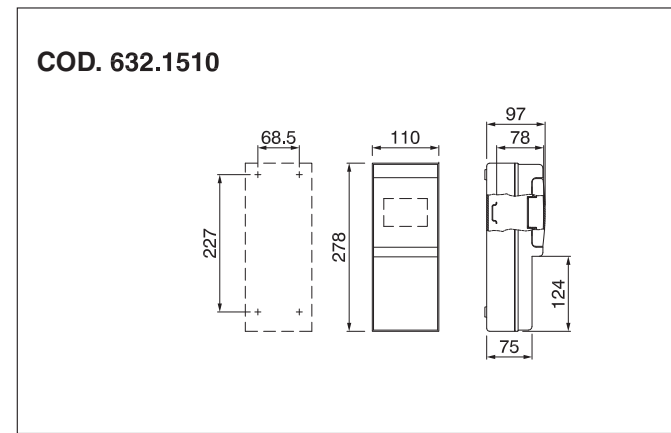
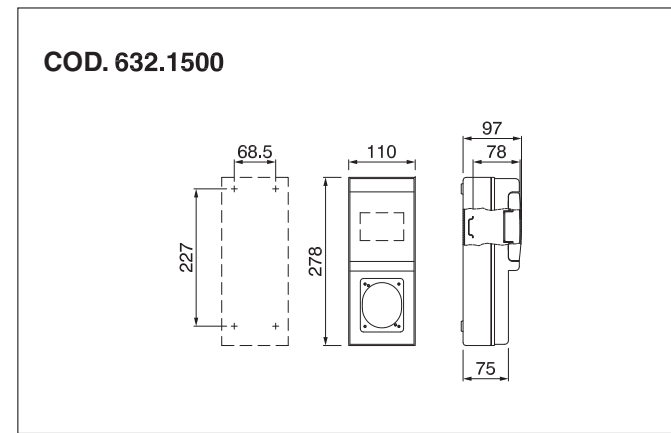


BLOCK 4: Metal stand.

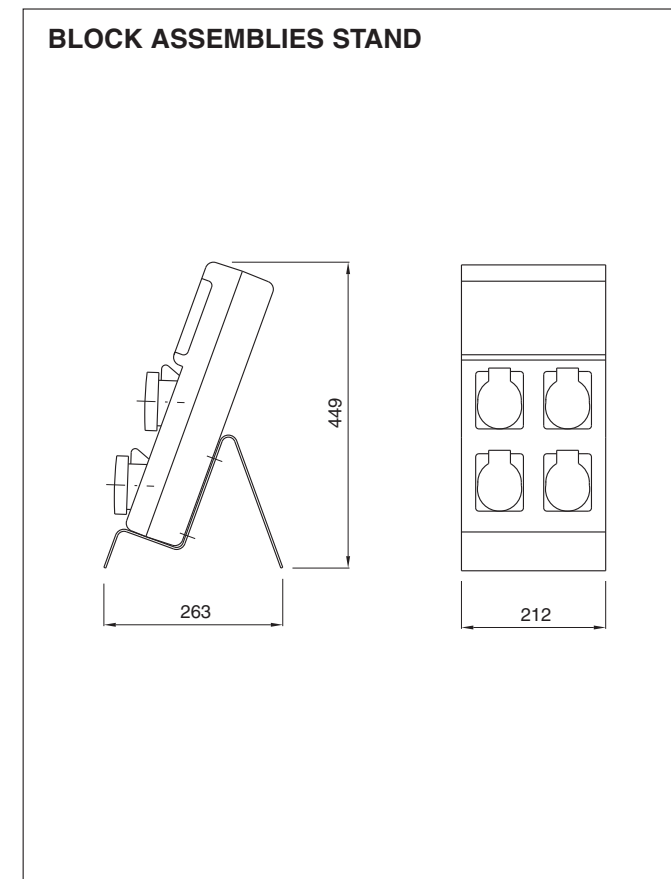
> APPLICATION EXAMPLES



> DIMENSIONS



(Dimension in mm)



(Dimension in mm)