

## > DOMESTIC PLUGS, SOCKETS AND MULTI-OUTLET SOCKETS



## > REFERENCE STANDARDS

**CEI 23-50**  
Socket-outlets for household and similar purposes.  
*Part 1: general requirements*

## > QUALITY MARKS

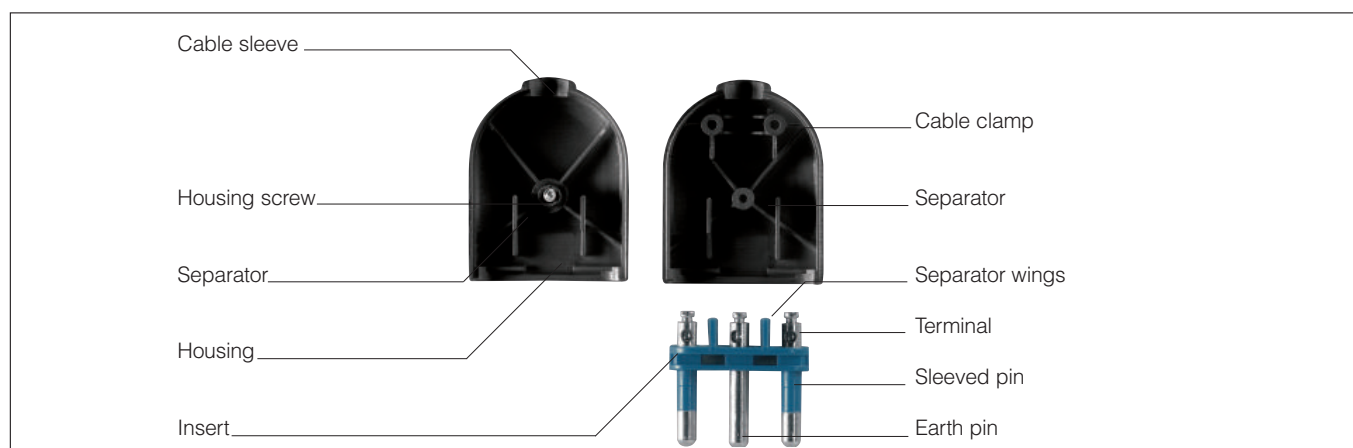


## > VERSIONS

	Plugs with straight outlet
	Flat plugs with angled outlet
	Trailing socket with straight outlet
	Multi-outlet socket

## > TECHNICAL CHARACTERISTICS

Rated current:	<b>10A - 16A</b>
Rated voltage:	<b>250V~</b>
Frequency:	<b>50Hz</b>
Insulating voltage:	<b>250V~</b>
Protection degree:	<b>IP20D</b>
Operating temperature according to the reference standard:	<b>-15°C+35°C</b>
Max operating temperature:	<b>60°C</b>
Cabling capacity of the terminals:	<b>10A: 0,75 - 1,5mm<sup>2</sup></b> <b>16A: 0,75 - 2,5mm<sup>2</sup></b>
Glow wire test:	<b>750°C</b>
Halogen free:	<b>Yes</b>
Material:	<b>Engineering plastic</b>
Colour:	<b>White RAL 9010</b> <b>Black RAL 9011</b> <b>Anthracite RAL 7021 (multi-outlet socket)</b>



## > BEHAVIOUR WITH CHEMICAL AND ATMOSPHERIC AGENTS

Saline solution	Acids		Bases		Solvents				Mineral oil	UV rays
	Concentrated	Diluted	Concentrated	Diluted	Hexane	Benzol	Acetone	Alcohol		
Resistant	Limited Resistance	Resistant	Limited Resistance	Limited Resistance	Resistant	Not Resistant	Not Resistant	Resistant	Limited Resistance	Resistant

## > APPLICATION EXAMPLES

