

## > INTERLOCKED SWITCH SOCKET OUTLETS



## > REFERENCE STANDARDS

**EN 60309-1**  
Plugs, socket outlets and couples for industrial purposes  
*Part 1: general requirements*

**EN 60309-2**  
Plugs, socket outlets and couples for industrial purposes  
*Part 2: dimensional interchangeability requirements for pin and contact-tube accessories of harmonised configurations*

## > QUALITY MARKS



## > VERSIONS

	Version with safety transformer compact (module 106) SELV transformer 230/24V
	Version with safety transformer large (module 136) SELV transformer 230/24V
	Version with RAIL DIN 6 modules compact (module 106)

## > TECHNICAL CHARACTERISTICS

Rated current:	<b>16A - 32A</b>
Rated voltage:	<b>20÷50V~</b>
Frequency:	<b>c.c. - 50÷60Hz</b>
SELV transformer 220/24V:	<b>150VA</b>
Insulating voltage:	<b>500/690V~</b>
Protection degree:	<b>IP44 - IP66/IP67</b>
Operating temperature according to the reference standard:	<b>-25°C+40°C</b>
Max operating temperature:	<b>60°C</b>
Glow Wire test:	<b>650°C/850°C</b>
Material:	<b>Engineering plastic</b>
IK degree at 20°C:	<b>IK07</b>
Cable inlets:	<b>Metric</b>
Fuse-carriers:	<b>gG 10,3x38mm</b>
Colour:	<b>Standard socket</b> Grey RAL 7035 front side and smoke-grey plate <b>Heavy duty socket</b> Blue RAL 5015 front side and dark Grey RAL 7004 body

## > BEHAVIOUR WITH CHEMICAL AND ATMOSPHERIC AGENTS - STANDARD SOCKET

Saline solution	Acids		Bases		Solvents				Mineral oil	UV rays
	Concentrated	Diluted	Concentrated	Diluted	Hexane	Benzol	Acetone	Alcohol		
Resistant	Limited Resistance	Resistant	Limited Resistance	Resistant	Not Resistant	Not Resistant	Not Resistant	Limited Resistance	Resistant	Resistant

## > BEHAVIOUR WITH CHEMICAL AND ATMOSPHERIC AGENTS - HD SOCKET

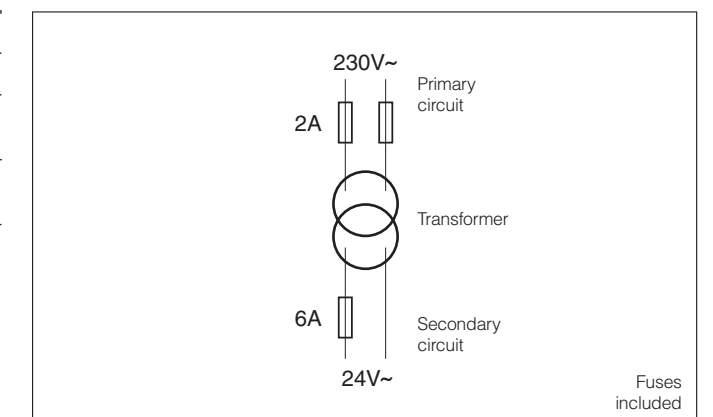
Saline solution	Acids		Bases		Solvents				Mineral oil	UV rays
	Concentrated	Diluted	Concentrated	Diluted	Hexane	Benzol	Acetone	Alcohol		
Resistant	Limited Resistance	Resistant	Limited Resistance	Resistant	Resistant	Limited Resistance	Not Resistant	Resistant	Resistant	Resistant

## > WIRING AND INSTALLATION

Wiring capacity of the terminals (mm²)

Rated current (A)	Socket outlets	
	Min	Max
16A	4	4
32A	4	10

## > PROTECTIONS FOR THE VERSION WITH TRANSFORMER

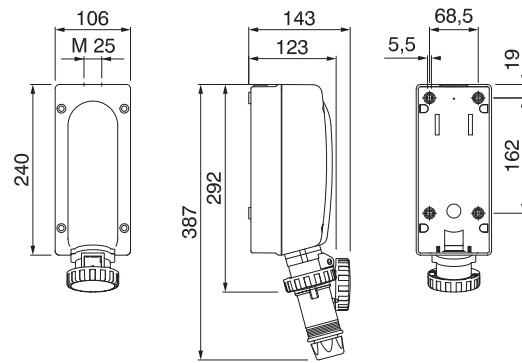


## > APPLICATION EXAMPLES

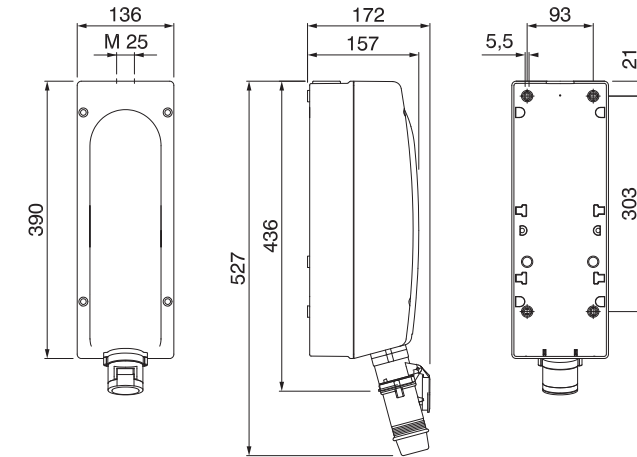


## > DIMENSIONS

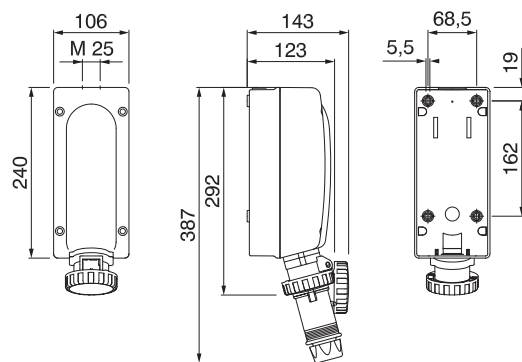
### COMPACT VERSION - IP44



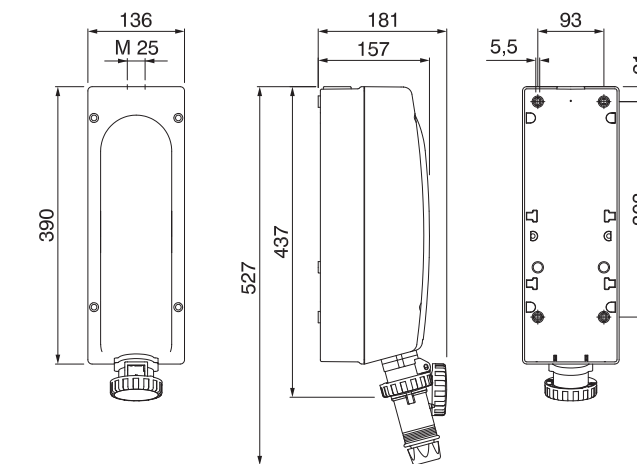
### LARGE VERSION - IP44



### COMPACT VERSION - IP66/IP67



### LARGE VERSION - IP66/IP67



(Dimension in mm)

(Dimension in mm)