

> INTERLOCKED SWITCH SOCKET OUTLETS



> REFERENCE STANDARDS

EN 60309-1
Plugs, socket outlets and couples for industrial purposes
Part 1: general requirements

EN 60309-2
Plugs, socket outlets and couples for industrial purposes
Part 2: dimensional interchangeability requirements for pin and contact-tube accessories of harmonised configurations

> QUALITY MARKS



> VERSIONS

	Without fuse carrier
	With fuse carrier
	With fuse carrier - HD
	With DIN rail (6 modules)
	With DIN rail (6 modules) - HD

> TECHNICAL CHARACTERISTICS

Rated current:	16A - 32A
Rated voltage:	100÷690V~
Frequency:	c.c. - 50÷690Hz
Insulating voltage:	500/690V~
Protection degree:	IP44 - IP66/IP67
Operating temperature according to the reference standard:	-25°C+40°C
Max. operating temperature:	60°C
Glow Wire test:	650°C/850°C
Material:	Engineering plastic
IK degree at 20°C:	IK07
Cable inlets:	Metric
Fuse-carriers:	gG 10,3x38mm (16-32A) Neozed type D02 (63A)
Colour:	Standard socket Grey RAL 7035 front side and smoke-grey plate Heavy Duty socket Blue RAL 5015 front side and dark-grey RAL 7004 body

> BEHAVIOUR WITH CHEMICAL AND ATMOSPHERIC AGENTS - STANDARD SOCKET

Saline solution	Acids		Bases		Solvents				Mineral oil	UV rays
	Concentrated	Diluted	Concentrated	Diluted	Hexane	Benzol	Acetone	Alcohol		
Resistant	Limited Resistant	Resistant	Limited Resistance	Resistant	Not Resistant	Not Resistant	Not Resistant	Limited Resistance	Resistant	Resistant

> BEHAVIOUR WITH CHEMICAL AND ATMOSPHERIC AGENTS - HD SOCKET

Saline solution	Acids		Bases		Solvents				Mineral oil	UV rays
	Concentrated	Diluted	Concentrated	Diluted	Hexane	Benzol	Acetone	Alcohol		
Resistant	Limited Resistant	Resistant	Limited Resistance	Resistant	Resistant	Limited Resistance	Not Resistant	Resistant	Resistant	Resistant

> WIRING AND INSTALLATION


Wiring capacity of the terminals (mm²)

Rated current (A)	Socket outlets	
	Min	Max
16A	1,5	4
32A	2,5	10
63A	6	25


> APPLICATION EXAMPLES




> CABLE INLETS



Compact version 16A and 32A
 1 M25 threaded on upper side
 2 marks for M20 on lower side
 1 mark on the back
 Provided with cable gland M25



Large version 16A and 32A
 1 M25 threaded on upper side
 3 marks for M20-M32 on lower side
 1 mark on the back
 Provided with cable gland M25



Large version 63A
 1 M40 threaded on upper side
 3 marks for M20-M32 on lower side
 1 mark on the back
 Provided with cable gland M40

> TECHNICAL DATA SWITCH DISCONNECTORS

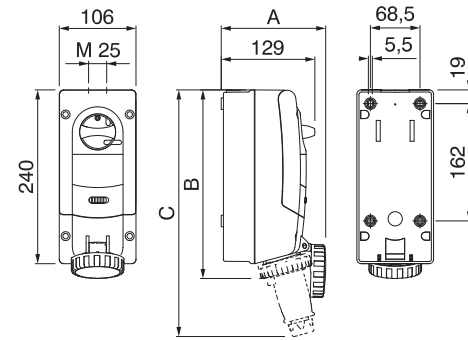
				with fuse		without fuse			
				16A	32A	16A	32A	63A	
				YF16	YF32				
Rated insulation voltage U_i	V_{Ac}			690	690	690	690	690	
	V_{Dc}			400	400	400	400	-	
Rated impulse withstand voltage U_{imp}				kV	4	4	4	4	8
Thermal current I_{th}				A	25	32	30	40	63
Thermal current I_{the}				A	25	32	30	40	63
AC21A	Resistive loads, including moderate overloads	400V		-	-	-	-	-	
		500V	A	-	-	-	-	-	
		690V		25	32	30	32	63	
AC22A	Mixed resistive and inductive loads, including moderate overloads	400V		-	-	-	-	-	
		500V	A	-	-	-	-	-	
		690V		30	32	20	32	63	
AC23A	Switching off motor loads or other highly inductive loads (3 phase / 3 pole)	400V		-	-	20	32	63	
		500V	A	-	-	-	-	40	
		690V		16	25	16	25	30	
AC3	Squirrel-cage motor: starting, switching off motor during running (3 phase / 3 pole)	400V	A	-	28,5	-	28,5	40	
		690V	A	12	20	12	20	25	
DC21A	Resistive loads, including moderate overloads	300V	A	25	32	20	32	-	
DC22A	Mixed resistive and inductive loads, including moderate overloads	250V	A	20	32	25	32	-	
		600V	A			10(1)	10(1)	-	
Rated short-time withstand current I_{cw} (1s)				A	400	400	400	400	1500
Short-circuit protection:	Conditional short-circuit current			kA _{eff}	10	10	10	10	10
	Associate fuse size for conditional short-circuit current - Type gG			A	16	32	16	32	63
	Rated short-circuit making capacity. I_{cm}			A	1500	1500	1500	1500	2850
UL rating	General use single phase and three phase	600V	A	20	30	32	40	63	
	AC motor starting break all line single phase	120V	Hp	1.5	2	1.5	2	3	
		240V	Hp	3	5	3	5	7.5	
	AC motor B, C, D, starting break all lines three phase	240V	Hp	7.5	10	7.5	10	10	
		480V	Hp	10	15	10	15	20	
	600V	Hp	15	20	15	20	25		
Permissible wire gauge:	Flexible wire	mm ²		1,5-10	1,5-10	1,5 - 10	1,5 - 10	10-35	
		AWG		16-8	16-8	16 - 8	16 - 8	10-2	
	Flexible wire	mm ²		1,5-16	1,5-16	1,5 - 16	1,5 - 16	10-35	
		AWG		16-8	16-8	16-8	16-8	10-2	

(1) 2+2 poles in series. UL approve values. IMQ approved values.

> DIMENSIONS

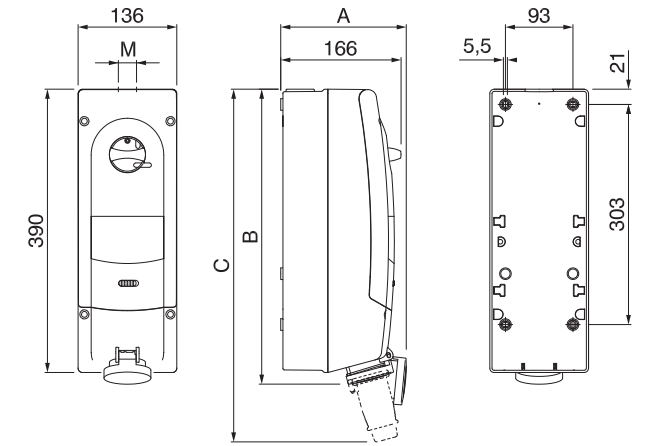
COMPACT VERSION - IP44

	A	B	C
2P+E 16A	140	256	335
3P+E 16A	146	256	341
3P+N+E 16A	157	256	355
2P+E 32A	158	267	364
3P+E 32A	158	267	364
3P+N+E 32A	158	265	370



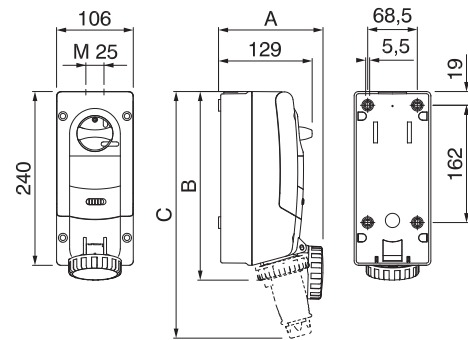
LARGE VERSION - IP44

	A	B	C	M
2P+E 16A	166	406	486	25
3P+E 16A	180	406	492	25
3P+N+E 16A	190	406	506	25
2P+E 32A	199	416	513	25
3P+E 32A	199	416	513	25
3P+N+E 32A	199	419	519	25



COMPACT VERSION - IP66/IP67

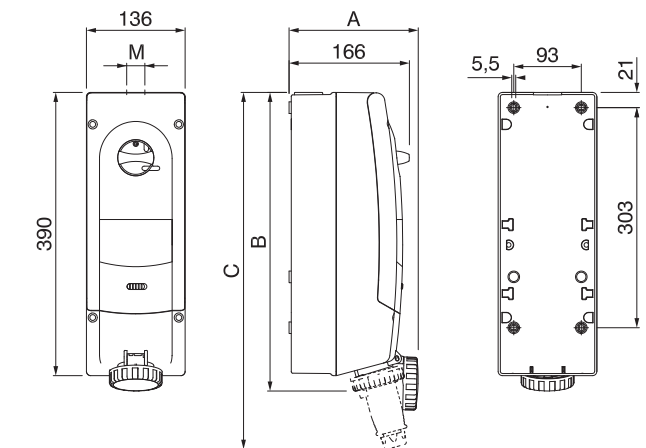
	A	B	C
2P+E 16A	145	261	341
3P+E 16A	152	261	350
3P+N+E 16A	163	262	368
2P+E 32A	164	272	377
3P+E 32A	164	272	377
3P+N+E 32A	167	272	385



(Dimension in mm)

LARGE VERSION - IP66/IP67

	A	B	C	M
2P+E 16A	166	412	492	25
3P+E 16A	186	412	500	25
3P+N+E 16A	197	412	518	25
2P+E 32A	205	420	526	25
3P+E 32A	205	420	526	25
3P+N+E 32A	207	420	533	25
63A	211	439	610	40



(Dimension in mm)