

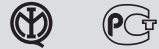
ENCLOSURE FOR WIRING ACCESSORIES



REFERENCE STANDARDS

EN 60670-1
Boxes and enclosures for electrical accessories for household and similar fixed electrical installations.
Part 1: general requirements.

QUALITY MARKS



VERSIONS

	Surface mounting enclosure - IP40
	Surface mounting enclosure - IP55
	Flush mounting enclosure - IP55

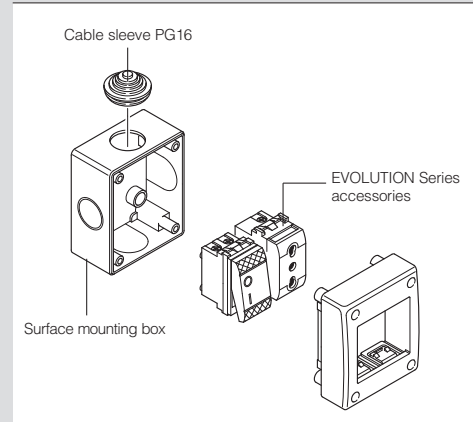
TECHNICAL CHARACTERISTICS

Protection degree:	IP40-IP55
Operating ambient temperature according to the reference standard:	-5°C +35°C
Max. operating ambient temperature:	60°C
Glow Wire test:	650°C
Material:	Engineering plastic
IK degree at 20°C:	IK06
Colour:	Grey RAL 7035 Anthracite RAL 7021 (flush mounting version)

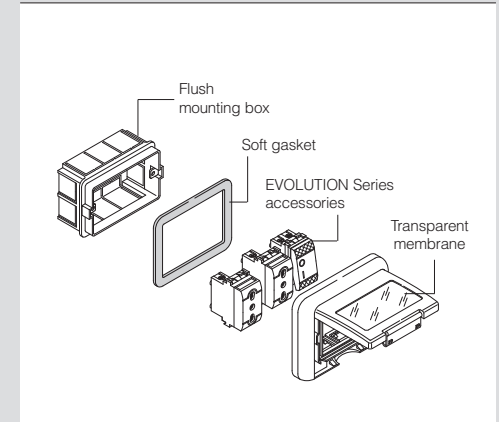
BEHAVIOUR WITH CHEMICAL AND ATMOSPHERIC AGENTS

Saline solution	Acids		Bases		Solvents				Mineral oil	UV rays
	Concentrated	Diluted	Concentrated	Diluted	Hexane	Benzol	Acetone	Alcohol		
Resistant	Limited Resistance	Resistant	Limited Resistance	Resistant	Not Resistant	Not Resistant	Not Resistant	Limited Resistance	Resistant	Resistant

EXAMPLES OF INSTALLATION



Surface mounting enclosure - IP40.



Flush mounting enclosure - IP55.

APPLICATION EXAMPLES

