

# BLUELINE Series

## DOMESTIC PLUGS, SOCKET AND MULTI-OUTLET SOCKETS



## VERSIONS

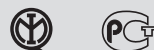
	Plugs with straight outlet
	Flat plugs with angle outlet
	Trailing socket with straight outlet
	Multi-outlet sockets

## REFERENCE STANDARDS

**CEI 23-50**  
Plugs and socket outlets for household and similar purposes.  
*Part 1: general requirements.*

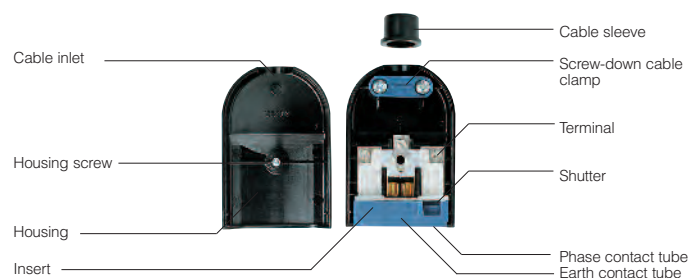
**CEI 23-124**  
Plugs and socket outlets for household and similar purposes.  
*Part 2-7: particular requirements for cord extension set.*

## QUALITY MARKS



## TECHNICAL CHARACTERISTICS

Rated current:	<b>10A-16A</b>
Rated voltage:	<b>250V~</b>
Frequency:	<b>50Hz</b>
Insulating voltage:	<b>250V~</b>
Protection degree:	<b>IP20D</b>
Operating ambient temperature according to the reference standard:	<b>-15°C +35°C</b>
Max operating ambient temperature:	<b>60°C</b>
Cabling capacity of the terminals:	<b>10A: 0,75 - 1,5mm<sup>2</sup></b> <b>16A: 0,75 - 2,5mm<sup>2</sup></b>
Glow wire test:	<b>750°C</b>
Material:	<b>Engineering plastic</b>
Colour:	<b>White RAL 9010</b> <b>Black RAL 9011</b> <b>Anthracite RAL 7021</b> <b>Tinted (transparent)</b> <b>Turquoise (transparent)</b>



## BEHAVIOUR WITH CHEMICAL AND ATMOSPHERIC AGENTS

Saline solution	Acids		Bases		Solvents				Mineral oil	UV rays
	Concentrated	Diluted	Concentrated	Diluted	Hexane	Benzol	Acetone	Alcohol		
Resistant	Limited Resistance	Resistant	Limited Resistance	Limited Resistance	Resistant	Not Resistant	Not Resistant	Resistant	Limited Resistance	Resistant

## APPLICATION EXAMPLES



# BLUELINE Series

## DOMESTIC ADAPTORS

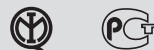


## REFERENCE STANDARDS

**CEI 23-57**  
Plugs and sockets for domestic and similar applications.  
*Part 2: specific requirements for adaptors.*



## QUALITY MARKS

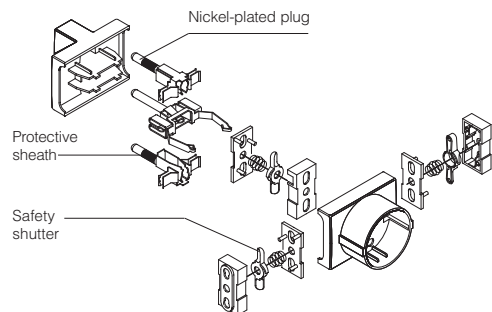


## VERSIONS

	One-way adaptors
	Multi-way adaptors
	With USB

## TECHNICAL CHARACTERISTICS

Rated current:	<b>10A-16A</b>
Rated voltage:	<b>250V~</b>
Frequency:	<b>50Hz</b>
Insulating voltage:	<b>250V~</b>
Protection degree:	<b>IP20D</b>
Operating ambient temperature according to the reference standard:	<b>-15°C +35°C</b>
Max operating ambient temperature:	<b>60°C</b>
Glow wire test:	<b>750°C</b>
Halogen free:	<b>Yes</b>
Material:	<b>Engineering plastic</b>
Colour:	<b>White RAL 9010 Black RAL 9011</b>



## BEHAVIOUR WITH CHEMICAL AND ATMOSPHERIC AGENTS

Saline solution	Acids		Bases		Solvents				Mineral oil	UV rays
	Concentrated	Diluted	Concentrated	Diluted	Hexane	Benzol	Acetone	Alcohol		
Resistant	Limited Resistance	Resistant	Limited Resistance	Limited Resistance	Resistant	Not Resistant	Not Resistant	Resistant	Limited Resistance	Resistant

## APPLICATION EXAMPLES

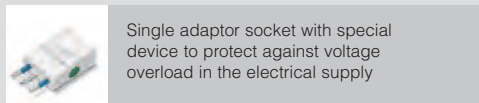


# BLUELINE Series

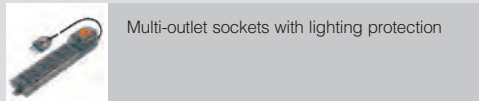
## DOMESTIC ADAPTORS AND MULTI-OUTLET SOCKETS WITH OVERVOLTAGE PROTECTION



### VERSIONS



Single adaptor socket with special device to protect against voltage overload in the electrical supply



Multi-outlet sockets with lighting protection

Lightning protection devices are fitted with an overload dissipater, a special electric circuit protected by a phase and neutral fast fuse protection having nominal tension of 250V~. Maximum dissipation of overload energy: 21J. Minimum overload tension at which dissipation is triggered off: 300V. Discharge current: 1,2 kA (8/20µs). When the pilot light is on it means that the overload dissipater is working efficiently.

## REFERENCE STANDARDS

**CEI 23-50**  
Plugs and sockets-outlets for household and similar purposes.  
*Part 1: general requirements.*

**CEI 23-57**  
Plugs and sockets for domestic and similar applications.  
*Part 2: specific requirements for adaptors.*



## QUALITY MARKS



## TECHNICAL CHARACTERISTICS

Rated current:	<b>10A-16A</b>
Rated voltage:	<b>250V~</b>
Frequency:	<b>50Hz</b>
Insulating voltage:	<b>250V~</b>
Protection degree:	<b>IP20D</b>
Operating ambient temperature according to the reference standard:	<b>-15°C +35°C</b>
Max. operating ambient temperature:	<b>60°C</b>
Glow Wire test:	<b>750°C</b>
Material:	<b>Engineering plastic</b>
Colour:	<b>White RAL 9010 Tinted (transparent) Turquoise blue transparent)</b>

## BEHAVIOUR WITH CHEMICAL AND ATMOSPHERIC AGENTS

Saline solution	Acids		Bases		Solvents				Mineral oil	UV rays
	Concentrated	Diluted	Concentrated	Diluted	Hexane	Benzol	Acetone	Alcohol		
Resistant	Limited Resistance	Resistant	Limited Resistance	Limited Resistance	Resistant	Not Resistant	Not Resistant	Resistant	Limited Resistance	Resistant

## APPLICATION EXAMPLES

