

MODULAR SYSTEM



VERSIONS

	Modular bases - Standard - Heavy duty
	One module enclosure with cut-out - Standard
	Enclosure with plain lid - Standard - Heavy duty
	Consumer unit - Standard - Heavy duty

REFERENCE STANDARDS

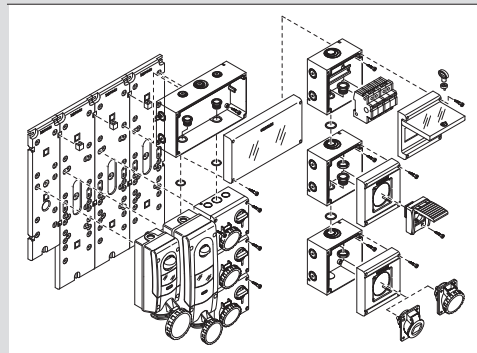
<p>EN 60670-1 Boxes and enclosures for electrical accessories for household and similar fixed electrical installations. <i>Part 1: general requirements.</i></p>
<p>CEI 23-49 Enclosure for accessories for household and similar fixed electrical installations. <i>Part 2: particular requirements for enclosures for protection devices and accessories dissipating a considerable power in normal use.</i></p>

QUALITY MARKS



TECHNICAL CHARACTERISTICS

Protection degree:	IP66
Operating ambient temperature according to the reference standard:	-25°C +35°C
Max operating ambient temperature:	60°C
Dissipable power according to the reference standard:	8-17W
Glow wire test:	650°C/850°C
Cable inlets:	Metric
Material:	Engineering plastic
IK degree at 20°C:	IK07 (Advance2) IK08 (Advance2-HD)
Colour:	Grey RAL 7035 (standard) Grey RAL 7004 (Heavy duty)
Insulation class:	Class II (double insulation)



BEHAVIOUR WITH CHEMICAL AND ATMOSPHERIC AGENTS - STANDARD SYSTEM

Saline solution	Acids		Bases		Solvents				Mineral oil	UV rays
	Concentrated	Diluted	Concentrated	Diluted	Hexane	Benzol	Acetone	Alcohol		
Resistant	Limited Resistance	Resistant	Limited Resistance	Resistant	Not Resistant	Not Resistant	Not Resistant	Limited Resistance	Limited Resistance	Resistant

BEHAVIOUR WITH CHEMICAL AND ATMOSPHERIC AGENTS - HD SYSTEM

Saline solution	Acids		Bases		Solvents				Mineral oil	UV rays
	Concentrated	Diluted	Concentrated	Diluted	Hexane	Benzol	Acetone	Alcohol		
Resistant	Limited Resistance	Resistant	Limited Resistance	Resistant	Resistant	Limited Resistance	Not Resistant	Resistant	Resistant	Resistant

APPLICATION EXAMPLES

