



The easy way
- Snap-on locking feature on all 16/32A and 20/30A plugs and connectors



Neoprene cable bushing
- Onion ring design
- Universal fit capability

75% faster cable builds
- Nylon lock screw System
- One-piece cable gland
- Nylon locking screw prevents loosening
- Hand assembly of cable gland, cable grip
- 6 Finger clamp and onion-ring bushing



Combination flap/screw cover
- Integral neoprene gasket for IP67 (Watertight protection)
- Unique flex hinge design



Fast and easy wiring
- Unique, one-way terminal access
- Clearly marked terminal connections
Double secure wiring
- Dual, combination point terminal screw for failsafe connections



Cable grip 6-finger clamp
- Provides superior cable retention

EUREKA-HD SERIES - PIN & SLEEVE

PLUGS AND SOCKETS

Poles & Wires	Configuration			Voltage/Colour Coding	20A			30A			60A			100A					
	Receptable/Connector	Plug/Inlet	Clock position		Plug	Connector	Cable O.D. Range Inches	Receptable	Inlet	Plug	Connector	Cable O.D. Range Inches	Receptable	Inlet	Plug	Connector	Cable O.D. Range Inches	Receptable	Inlet
2P 3W	⊕ ⊖	⊕ ⊖	4h	125	SCM320P4W	SCM320C4W	57-71	SCM320R4W	SCM320B4W	SCM330P4W	SCM330C4W	67.5-91	SCM330R4W	SCM330B4W	SCM360P4W	SCM360C4W	93.7-1.375	SCM360R4W	SCM360B4W
2P 3W	⊕ ⊖	⊕ ⊖	6h	250	SCM320P6W	SCM320C6W	57-71	SCM320R6W	SCM320B6W	SCM330P6W	SCM330C6W	67.5-91	SCM330R6W	SCM330B6W	SCM360P6W	SCM360C6W	93.7-1.375	SCM360R6W	SCM360B6W
2P 3W	⊕ ⊖	⊕ ⊖	5h	277	SCM320P5W	SCM320C5W	57-71	SCM320R5W	SCM320B5W	SCM360P5W	SCM360C5W	93.7-1.375	SCM360R5W	SCM360B5W					
2P 3W	⊕ ⊖	⊕ ⊖	7h	480	SCM320P7W	SCM320C7W	57-71	SCM320R7W	SCM320B7W	SCM330P7W	SCM330C7W	67.5-91	SCM330R7W	SCM330B7W	SCM360P7W	SCM360C7W	93.7-1.375	SCM360R7W	SCM360B7W
2P 3W	⊕ ⊖	⊕ ⊖	3h	250DC						SCM360P3W	SCM360C3W	93.7-1.375	SCM360R3W	SCM360B3W					
3P 4W	⊕ ⊖ ⊕	⊕ ⊖ ⊕	12h	125/250	SCM420P12W	SCM420C12W	57-71	SCM420R12W	SCM420B12W	SCM430P12W	SCM430C12W	67.5-91	SCM430R12W	SCM430B12W	SCM460P12W	SCM460C12W	93.7-1.375	SCM460R12W	SCM460B12W
3P 4W	⊕ ⊖ ⊕	⊕ ⊖ ⊕	9h	30250	SCM420P9W	SCM420C9W	57-71	SCM420R9W	SCM420B9W	SCM430P9W	SCM430C9W	67.5-91	SCM430R9W	SCM430B9W	SCM460P9W	SCM460C9W	93.7-1.375	SCM460R9W	SCM460B9W
3P 4W	⊕ ⊖ ⊕	⊕ ⊖ ⊕	7h	30480	SCM420P7W	SCM420C7W	57-71	SCM420R7W	SCM420B7W	SCM430P7W	SCM430C7W	67.5-91	SCM430R7W	SCM430B7W	SCM460P7W	SCM460C7W	93.7-1.375	SCM460R7W	SCM460B7W
3P 4W	⊕ ⊖ ⊕	⊕ ⊖ ⊕	5h	30600	SCM420P5W	SCM420C5W	57-71	SCM420R5W	SCM420B5W	SCM430P5W	SCM430C5W	67.5-91	SCM430R5W	SCM430B5W	SCM460P5W	SCM460C5W	93.7-1.375	SCM460R5W	SCM460B5W
4P 5W	⊕ ⊖ ⊕ ⊕	⊕ ⊖ ⊕ ⊕	9h	30Y120/208	SCM520P9W	SCM520C9W	57-71	SCM520R9W	SCM520B9W	SCM530P9W	SCM530C9W	67.5-91	SCM530R9W	SCM530B9W	SCM560P9W	SCM560C9W	93.7-1.375	SCM560R9W	SCM560B9W
4P 5W	⊕ ⊖ ⊕ ⊕	⊕ ⊖ ⊕ ⊕	7h	30Y277/480	SCM520P7W	SCM520C7W	57-71	SCM520R7W	SCM520B7W	SCM530P7W	SCM530C7W	67.5-91	SCM530R7W	SCM530B7W	SCM560P7W	SCM560C7W	93.7-1.375	SCM560R7W	SCM560B7W
4P 5W	⊕ ⊖ ⊕ ⊕	⊕ ⊖ ⊕ ⊕	5h	30Y347/600	SCM520P5W	SCM520C5W	57-71	SCM520R5W	SCM520B5W	SCM530P5W	SCM530C5W	67.5-91	SCM530R5W	SCM530B5W	SCM560P5W	SCM560C5W	93.7-1.375	SCM560R5W	SCM560B5W
SPLASH-PROOF - IP44																			
20A																			
2P 3W	⊕ ⊖	⊕ ⊖	4h	125	SCM320P4S	SCM320C4S	57-71	SCM320R4S	SCM320B4S	SCM330P4S	SCM330C4S	67.5-91	SCM330R4S	SCM330B4S					
2P 3W	⊕ ⊖	⊕ ⊖	6h	250	SCM320P6S	SCM320C6S	57-71	SCM320R6S	SCM320B6S	SCM330P6S	SCM330C6S	67.5-91	SCM330R6S	SCM330B6S					
2P 3W	⊕ ⊖	⊕ ⊖	5h	277	SCM320P5S	SCM320C5S	57-71	SCM320R5S	SCM320B5S	SCM330P5S	SCM330C5S	67.5-91	SCM330R5S	SCM330B5S					
3P 4W	⊕ ⊖ ⊕	⊕ ⊖ ⊕	12h	125/250	SCM420P12S	SCM420C12S	57-71	SCM420R12S	SCM420B12S	SCM430P12S	SCM430C12S	67.5-91	SCM430R12S	SCM430B12S					
3P 4W	⊕ ⊖ ⊕	⊕ ⊖ ⊕	9h	3ph.250	SCM420P9S	SCM420C9S	57-71	SCM420R9S	SCM420B9S	SCM430P9S	SCM430C9S	67.5-91	SCM430R9S	SCM430B9S					
4P 5W*	⊕ ⊖ ⊕ ⊕	⊕ ⊖ ⊕ ⊕	9h	3ph.120/208	SCM520P9S	SCM520C9S	57-71	SCM520R9S	SCM520B9S	SCM530P9S	SCM530C9S	67.5-91	SCM530R9S	SCM530B9S					
WATER TIGHT - IP67																			
16A																			
2P 3W	⊕ ⊖	⊕ ⊖	4h	110V	SCM316P4W	SCM316C4W	57-71	SCM316R4W	SCM316B4W	SCM332P4W	SCM332C4W	67.5-91	SCM332R4W	SCM332B4W					
2P 3W	⊕ ⊖	⊕ ⊖	6h	250V	SCM316P6W	SCM316C6W	57-71	SCM316R6W	SCM316B6W	SCM332P6W	SCM332C6W	67.5-91	SCM332R6W	SCM332B6W	SCM363P6W	SCM363C6W	93.7-1.375	SCM363R6W	SCM363B6W
3P 4W	⊕ ⊖ ⊕	⊕ ⊖ ⊕	6h	380-415V	SCM416P6W	SCM416C6W	57-71	SCM416R6W	SCM416B6W	SCM432P6W	SCM432C6W	67.5-91	SCM432R6W	SCM432B6W	SCM463P6W	SCM463C6W	93.7-1.375	SCM463R6W	SCM463B6W
4P 5W	⊕ ⊖ ⊕ ⊕	⊕ ⊖ ⊕ ⊕	6h	220-240/380-415V	SCM516P6W	SCM516C6W	57-71	SCM516R6W	SCM516B6W	SCM532P6W	SCM532C6W	67.5-91	SCM532R6W	SCM532B6W	SCM563P6W	SCM563C6W	93.7-1.375	SCM563R6W	SCM563B6W
SPLASH-PROOF - IP44																			
16A																			
2P 3W	⊕ ⊖	⊕ ⊖	4h	110V	SCM316P4S	SCM316C4S	57-71	SCM316R4S	SCM316B4S	SCM332P4S	SCM332C4S	67.5-91	SCM332R4S	SCM332B4S					
2P 3W	⊕ ⊖	⊕ ⊖	6h	250V	SCM316P6S	SCM316C6S	57-71	SCM316R6S	SCM316B6S	SCM332P6S	SCM332C6S	67.5-91	SCM332R6S	SCM332B6S					
3P 4W	⊕ ⊖ ⊕	⊕ ⊖ ⊕	6h	380-415V	SCM416P6S	SCM416C6S	57-71	SCM416R6S	SCM416B6S	SCM432P6S	SCM432C6S	67.5-91	SCM432R6S	SCM432B6S					
3P 4W	⊕ ⊖ ⊕	⊕ ⊖ ⊕	3h	380-440V															
4P 5W	⊕ ⊖ ⊕ ⊕	⊕ ⊖ ⊕ ⊕	6h	220-240/380-415V	SCM516P6S	SCM516C6S	57-71	SCM516R6S	SCM516B6S	SCM532P6S	SCM532C6S	67.5-91	SCM532R6S	SCM532B6S					
Special Application - Contact Tech Support																			

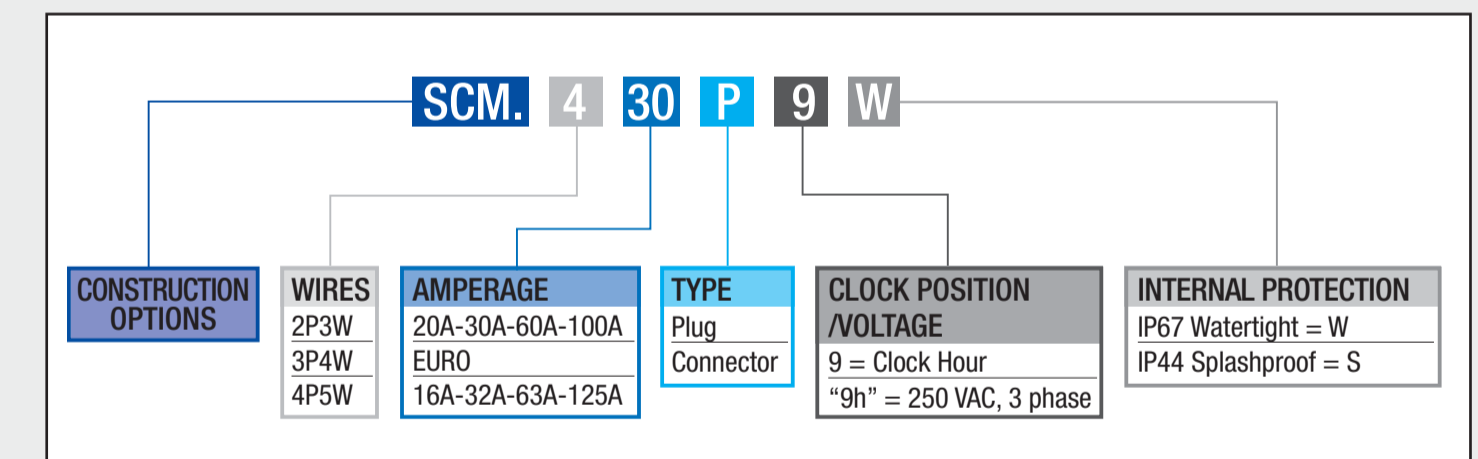
(1) Can be used with T&B Russellstoll JB series back boxes. Screw terminals.

BACK BOX ENCLOSURE

Description	HUB size (Inch)	Receptacle	Inlets	Cubic Inch capacity	⊕	
Size 1 (small)	1	16/20A - 32/30A	-	30	1/10	SCMBB01
Size 2 (medium)	1 1/4	63/60A	16/20A - 32/30A - 63/60A	75	1/10	SCMBB02
Size 3 (large)	1 1/2	125/100A	125/100A	120	1/5	SCMBB03

Notes: Internal grounding plate provided. HUB is not included. Enclosures are not UL approved.

CATALOGUE NUMBERING SYSTEM



IEC309 PRODUCTS



ScameOnLine
www.scame.com - export@scame.com
SCAME PARRE S.p.A.
VIA COSTA ERTA, 15 24020 PARRE (BG) ITALY
TEL. +39 035 70 50 00 - FAX +39 035 70 31 22



TECHSPAN 3131 Pepper Mill Court Mississauga
ONTARIO - L5L 4X6 - CANADA
TEL. 905 820 6150 - FAX 905 820 6142
Toll Free: 1 800 363 1588
www.techspan.ca - sales@techspan.ca

