



# EUREKA-HD SERIES - PIN & SLEEVE

## PLUGS AND SOCKETS

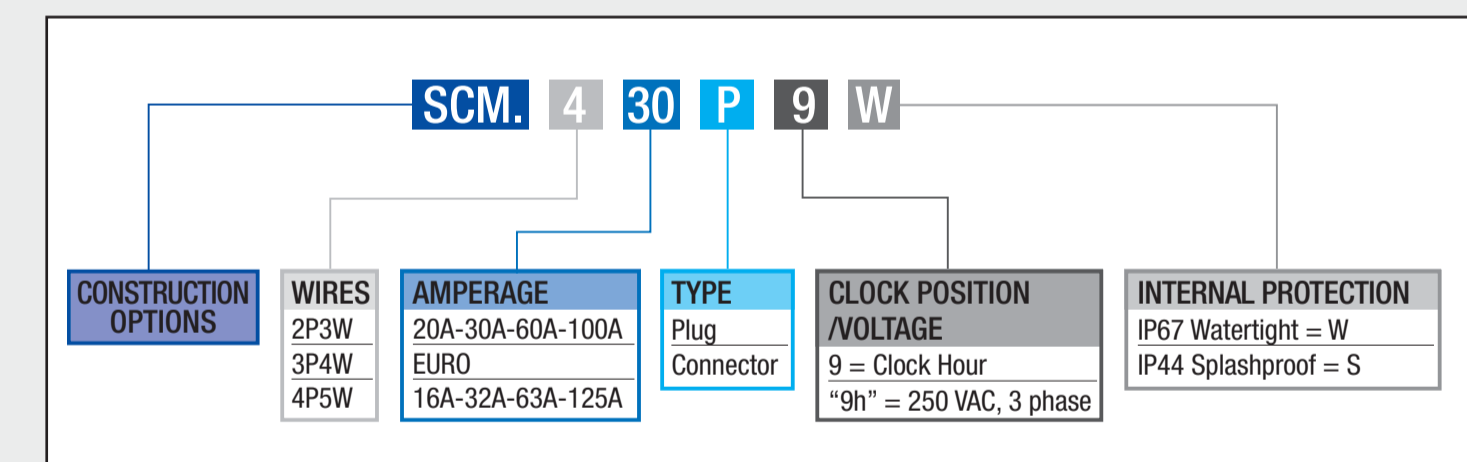
Poles & Wires	Configuration			Voltage/Colour Coding	20A			30A			60A			100A						
	Receptable/Connector	Plug/Inlet	Clock position		Plug	Connector	Cable O.D. Range Inches	Receptable	Inlet	Plug	Connector	Cable O.D. Range Inches	Receptable	Inlet	Plug	Connector	Cable O.D. Range Inches	Receptable	Inlet	
2P 3W	⊕ ⊖	⊕ ⊖	4h	125	SCM320P4W	SCM320C4W	57-71	SCM320R4W	SCM320B4W	SCM330P4W	SCM330C4W	67.5-91	SCM330R4W	SCM330B4W	SCM360P4W	SCM360C4W	937-1.375	SCM360R4W	SCM360B4W	
2P 3W	⊕ ⊖	⊕ ⊖	6h	250	SCM320P6W	SCM320C6W	57-71	SCM320R6W	SCM320B6W	SCM330P6W	SCM330C6W	67.5-91	SCM330R6W	SCM330B6W	SCM360P6W	SCM360C6W	937-1.375	SCM360R6W	SCM360B6W	SCM3100P6W
2P 3W	⊕ ⊖	⊕ ⊖	5h	277	SCM320P5W	SCM320C5W	57-71	SCM320R5W	SCM320B5W						SCM360P5W	SCM360C5W	937-1.375	SCM360R5W	SCM360B5W	
2P 3W	⊕ ⊖	⊕ ⊖	7h	480	SCM320P7W	SCM320C7W	57-71	SCM320R7W	SCM320B7W	SCM330P7W	SCM330C7W	67.5-91	SCM330R7W	SCM330B7W	SCM360P7W	SCM360C7W	937-1.375	SCM360R7W	SCM360B7W	1.2650-1.790
2P 3W	⊕ ⊖	⊕ ⊖	3h	250DC											SCM360P3W	SCM360C3W	937-1.375	SCM360R3W	SCM360B3W	
3P 4W	⊕ ⊖ ⊕	⊕ ⊖ ⊕	12h	125/250	SCM420P12W	SCM420C12W	57-71	SCM420R12W	SCM420B12W	SCM430P12W	SCM430C12W	67.5-91	SCM430R12W	SCM430B12W	SCM460P12W	SCM460C12W	937-1.375	SCM460R12W	SCM460B12W	SCM4100P12W
3P 4W	⊕ ⊖ ⊕	⊕ ⊖ ⊕	9h	30250	SCM420P9W	SCM420C9W	57-71	SCM420R9W	SCM420B9W	SCM430P9W	SCM430C9W	67.5-91	SCM430R9W	SCM430B9W	SCM460P9W	SCM460C9W	937-1.375	SCM460R9W	SCM460B9W	SCM4100P9W
3P 4W	⊕ ⊖ ⊕	⊕ ⊖ ⊕	7h	30480	SCM420P7W	SCM420C7W	57-71	SCM420R7W	SCM420B7W	SCM430P7W	SCM430C7W	67.5-91	SCM430R7W	SCM430B7W	SCM460P7W	SCM460C7W	937-1.375	SCM460R7W	SCM460B7W	SCM4100P7W
3P 4W	⊕ ⊖ ⊕	⊕ ⊖ ⊕	5h	30600	SCM420P5W	SCM420C5W	57-71	SCM420R5W	SCM420B5W	SCM430P5W	SCM430C5W	67.5-91	SCM430R5W	SCM430B5W	SCM460P5W	SCM460C5W	937-1.375	SCM460R5W	SCM460B5W	SCM4100P5W
4P 5W	⊕ ⊖ ⊕ ⊕	⊕ ⊖ ⊕ ⊕	9h	30Y120/208	SCM520P9W	SCM520C9W	57-71	SCM520R9W	SCM520B9W	SCM530P9W	SCM530C9W	67.5-91	SCM530R9W	SCM530B9W	SCM560P9W	SCM560C9W	937-1.375	SCM560R9W	SCM560B9W	SCM5100P9W
4P 5W	⊕ ⊖ ⊕ ⊕	⊕ ⊖ ⊕ ⊕	7h	30Y277/480	SCM520P7W	SCM520C7W	57-71	SCM520R7W	SCM520B7W	SCM530P7W	SCM530C7W	67.5-91	SCM530R7W	SCM530B7W	SCM560P7W	SCM560C7W	937-1.375	SCM560R7W	SCM560B7W	SCM5100P7W
4P 5W	⊕ ⊖ ⊕ ⊕	⊕ ⊖ ⊕ ⊕	5h	30Y347/600	SCM520P5W	SCM520C5W	57-71	SCM520R5W	SCM520B5W	SCM530P5W	SCM530C5W	67.5-91	SCM530R5W	SCM530B5W	SCM560P5W	SCM560C5W	937-1.375	SCM560R5W	SCM560B5W	SCM5100P5W
SPLASH-PROOF - IP44																				
20A																				
30A																				
60A																				
100A																				
2P 3W																				
2P 3W																				
2P 3W																				
3P 4W																				
3P 4W																				
4P 5W*																				
WATER TIGHT - IP67																				
16A																				
32A																				
63A																				
125A																				
2P 3W																				
2P 3W																				
3P 4W																				
3P 4W																				
4P 5W																				
SPLASH-PROOF - IP44																				
16A																				
32A																				
63A																				
125A																				
2P 3W																				
2P 3W																				
3P 4W																				
3P 4W																				
4P 5W																				

## BACK BOX ENCLOSURE

Description	HUB size (Inch)	Receptacle	Inlets	Cubic Inch capacity	⊕	
Size 1 (small)	1	16/20A - 32/30A	-	30	1/10	SCMBB01
Size 2 (medium)	1 1/4	63/60A	16/20A - 32/30A - 63/60A	75	1/10	SCMBB02
Size 3 (large)	1 1/2	125/100A	125/100A	120	1/5	SCMBB03

Notes: Internal grounding plate provided. HUB is not included. Enclosures are not UL approved.

## CATALOGUE NUMBERING SYSTEM



## IEC309 PRODUCTS



ScameOnLine  
www.scame.com - export@scame.com  
SCAME PARRE S.p.A.  
VIA COSTA ERTA, 15 24020 PARRE (BG) ITALY  
TEL. +39 035 70 50 00 - FAX +39 035 70 31 22



PDI 145 Algonquin Parkway  
WHIPPANY, NJ 07981- USA  
TEL. 973 560 0019 - FAX 973 560 0076  
www.powerdynamics.com  
sales@powerdynamics.com

(1) Can be used with T&B Russellstoll JB series back boxes. Screw terminals.

