

> FLUSH AND SURFACE MOUNTING MODULAR SYSTEM



> VERSIONS

-  Consumer unit assembly kit - IP55
-  Plates - IP55
-  Protection cover - IP20
-  Flush mounting box
-  Frame - IP55
-  Coupling insert
-  Surface mounting box - IP67
-  Surface mounting system

> REFERENCE STANDARDS


EN 60670-1
General requirements for enclosures for accessories for household and similar fixed electrical installations
Part 2: general requirements

CEI 23-49
Enclosures for accessories for household and similar fixed electrical installations
Part 2: detailed requirements
for enclosures for containing protective devices and appliances that under ordinary use dissipate significant energy

> QUALITY MARKS



> TECHNICAL CHARACTERISTICS

Protection degree:	IP44 - IP55 - IP66
Operating temperature according to the reference standard:	-25°C+35°C
Max. operating temperature:	60°C
Glow Wire test:	650°C/850°C
Material:	Engineering plastic
IK degree at 20°C:	IK07 - IK10
Cable inlet:	PG/METRIC
Colour:	Grey RAL 7035
Total insulation 	YES

> BEHAVIOUR WITH CHEMICAL AND ATMOSPHERIC AGENTS

Saline solution	Acids		Bases		Solvents				Mineral oil	UV rays
	Concentrated	Diluted	Concentrated	Diluted	Hexane	Benzol	Acetone	Alcohol		
Resistant	Limited Resistance	Resistant	Limited Resistance	Resistant	Not Resistant	Not Resistant	Not Resistant	Limited Resistance	Resistant	Resistant

> APPLICATION EXAMPLES



Example of a flush mounting combination: consumer unit, junction box and OMNIA Series interlocked-switch socket outlet. IP55 weatherproof.



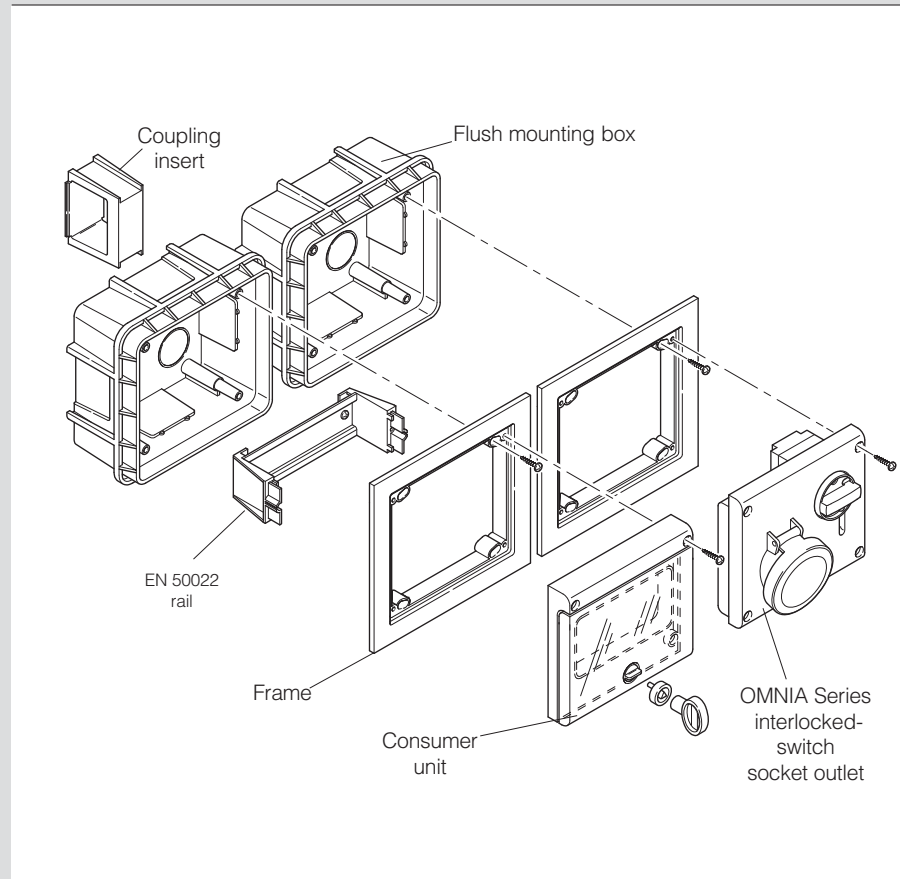
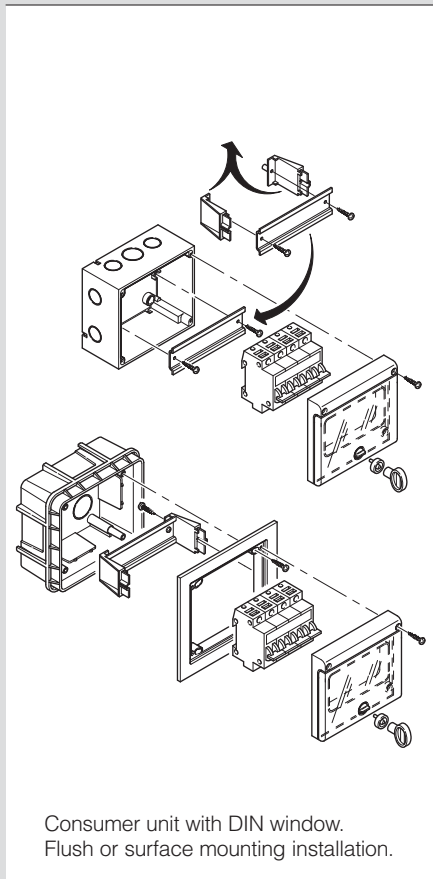
Example of a surface mounting combination: consumer unit and OMNIA Series interlocked-switch socket outlet. IP55 weatherproof.



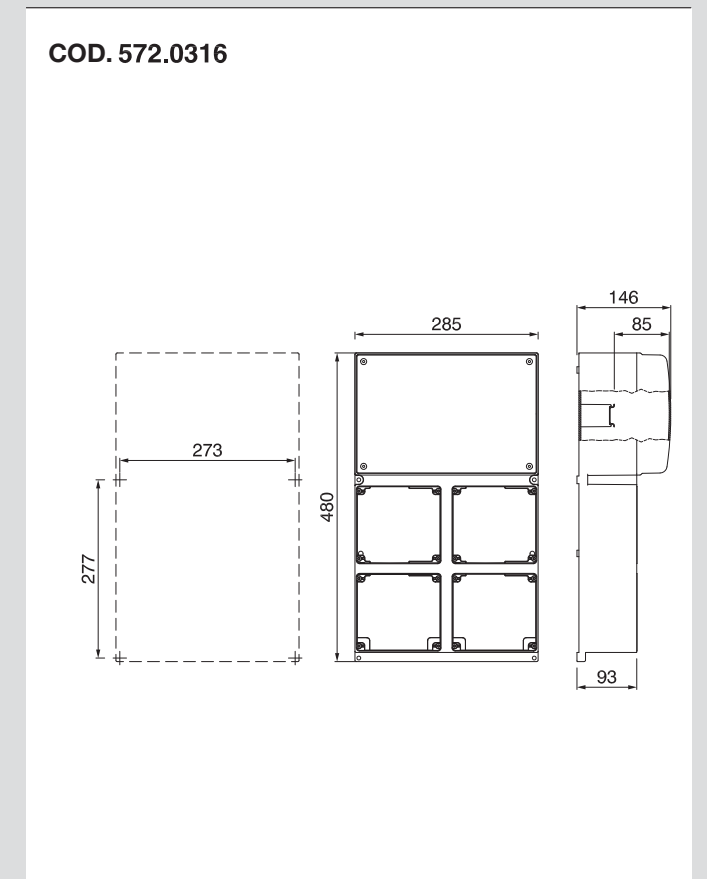
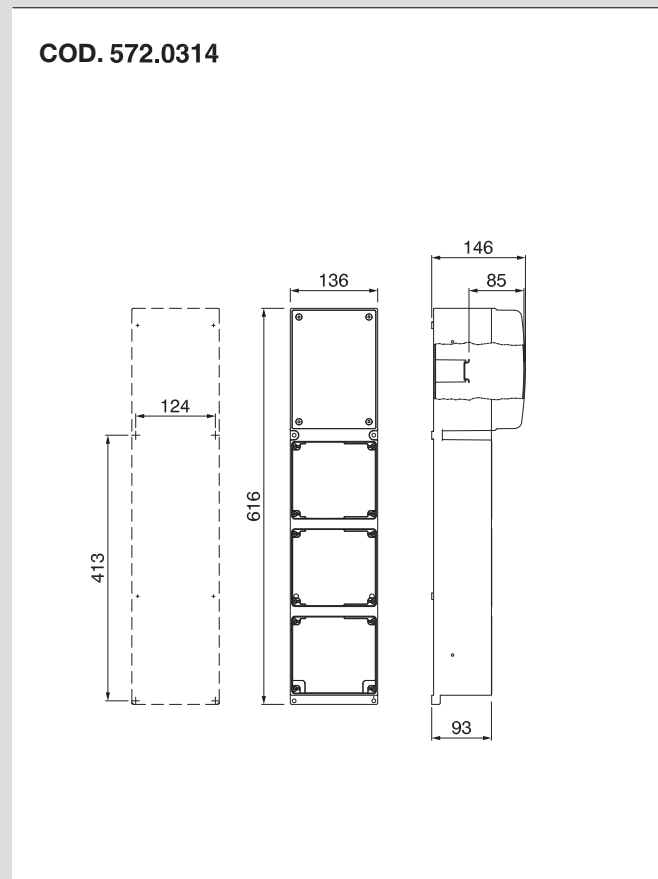
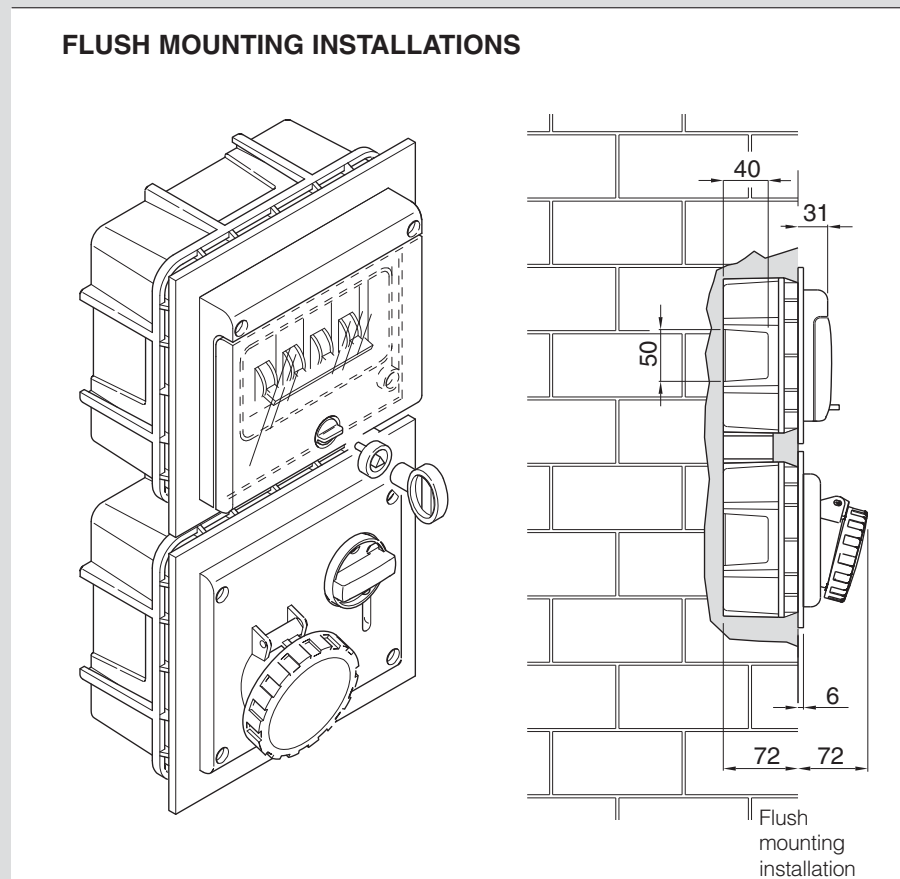
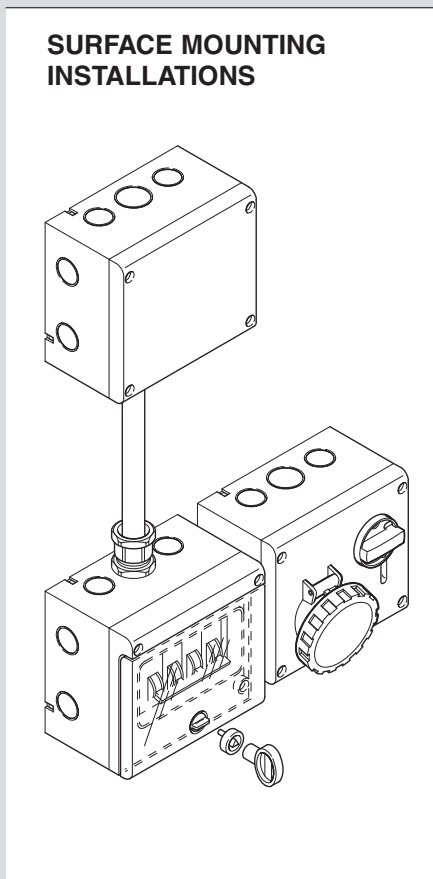
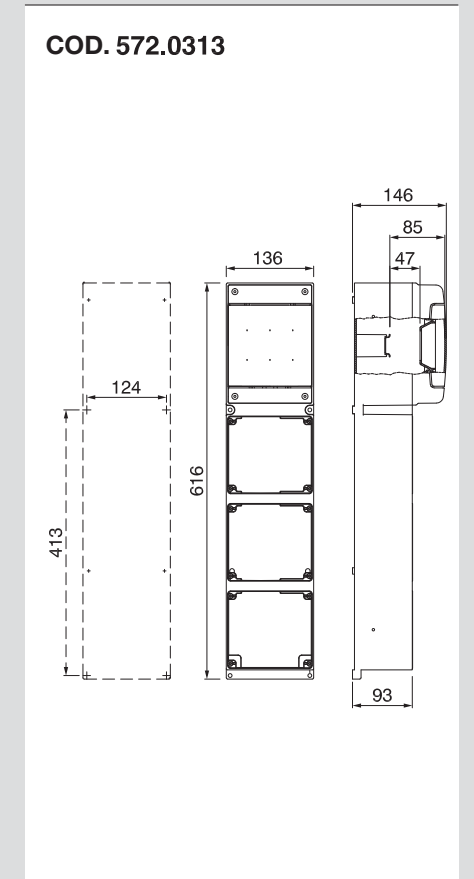
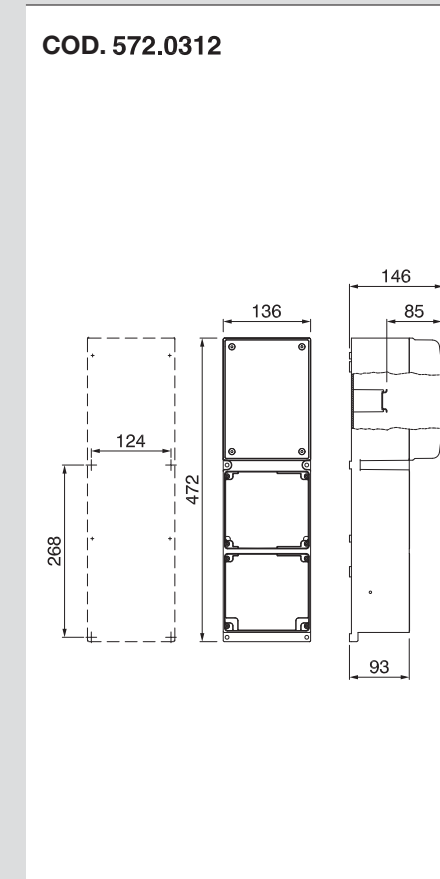
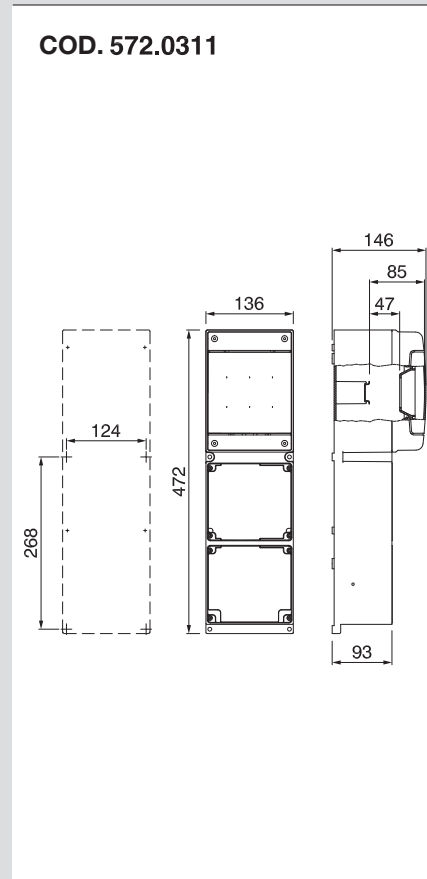
Surface mounting system. Consumer unit 6 DIN system version with OMNIA Series interlocked-switch socket outlet with fuse carrier.



Surface mounting system. Consumer unit and OMNIA Series interlocked-switch outlet without fuse carrier.



> DIMENSIONS



(Dimensions in mm)