

> INTERLOCKED SWITCH SOCKET OUTLETS



> VERSIONS

- 
Surface mounting  
Without fuse carrier
- 
Surface mounting  
With fuse carrier
- 
Flush mounting  
Without fuse carrier
- 
Flush mounting  
With fuse carrier

> REFERENCE STANDARDS

**EN 60309-1**  
Plugs, socket outlets and couplers for industrial purposes  
*Part 1: general requirements*

**EN 60309-2**  
Plugs, socket outlets and couplers for industrial purposes  
*Part 2: dimensional interchangeability requirements for pin and contact-tube accessories of harmonised configurations*

> QUALITY MARKS



> TECHNICAL CHARACTERISTICS

|  |                            |
|--|----------------------------|
| Rated current:   | <b>16A - 32A - 63A</b>     |
| Rated voltage:   | <b>100÷690V~</b>           |
| Frequency:   | <b>c.c. - 50÷690Hz</b>     |
| Insulating voltage:  | <b>500/690V~</b>           |
| Protection degree:   | <b>IP44 - IP66/IP67</b>    |
| Operating temperature according to the reference standard: | <b>-25°C+40°C</b>          |
| Max. operating temperature:                                | <b>60°C</b>                |
| Glow Wire test:  | <b>650°C/850°C</b>         |
| Material:  | <b>Engineering plastic</b> |
| IK degree at 20°C:   | <b>IK07 - IK08</b>         |
| Cable inlet:   | <b>PG/METRIC</b>           |
| Fuse-carriers:   | <b>gG 10,3x38 mm</b>       |
| Colour:  | <b>Grey RAL 7035</b>       |

> BEHAVIOUR WITH CHEMICAL AND ATMOSPHERIC AGENTS

| Saline solution | Acids              |           | Bases        |           | Solvents      |               |               |                    | Mineral oil | UV rays   |
|-----------------|--------------------|-----------|--------------|-----------|---------------|---------------|---------------|--------------------|-------------|-----------|
|                 | Concentrated       | Diluted   | Concentrated | Diluted   | Hexane        | Benzol        | Acetone       | Alcohol            |             |           |
| Resistant       | Limited Resistance | Resistant | Resistant    | Resistant | Not Resistant | Not Resistant | Not Resistant | Limited Resistance | Resistant   | Resistant |

> WIRING AND INSTALLATION

Wiring capacity of the terminals (mm²)

| Rated voltage | Rated current (A) | Socket outlets |     |
|---------------|-------------------|----------------|-----|
|               |                   | Min            | Max |
| Over 50V      | 16A               | 1,5            | 4   |
|               | 32A               | 2,5            | 10  |
|               | 63A               | 6              | 25  |

> APPLICATION EXAMPLES

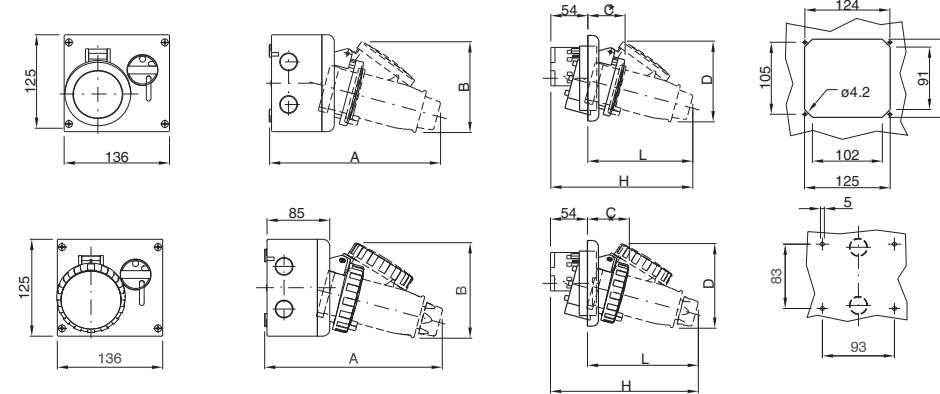


> TECHNICAL DATA ROTARY SWITCHES

|  |  |                 | With fuse |        | Without fuse |        |       |    |
|--|--|-----------------|-----------|--------|--------------|--------|-------|----|
|  |  |                 | 16A       | 32A    | 16A          | 32A    | 63A   |    |
| Rated insulation voltage <b>Ui</b>   | Vac  | 690             | 690       | 690    | 690          | 690    |       |    |
|  | Vdc  | 400             | 400       | 400    | 400          | -      |       |    |
| Rated impulse withstand voltage <b>Uimp</b>                                    | kV   | 4               | 4         | 4      | 4            | 8      |       |    |
| Thermal current <b>Ith</b>   | A  | 25              | 32        | 30     | 40           | 63     |       |    |
| Thermal current <b>Ithe</b>  | A  | 25              | 32        | 30     | 40           | 63     |       |    |
| Nominal current rating <b>Ie</b>   | <b>AC21A</b> Resistive loads, including moderate overloads                                     | 400V            | -         | -      | -            | -      | -     |    |
|  |  | 500V            | A         | -      | -            | -      | -     |    |
|  |  | 690V            | A         | 25     | 32           | 30     | 32    | 63 |
|  | <b>AC22A</b> Mixed resistive and inductive loads, including moderate overloads                 | 400V            | -         | -      | -            | -      | -     |    |
|  |  | 500V            | A         | -      | -            | -      | -     |    |
|  | 690V   | A               | 30        | 32     | 20           | 32     | 63    |    |
|  |  | A               | -         | -      | 20           | 32     | 50    |    |
|  | <b>AC23A</b> Switching off motor loads or other highly inductive loads (3 phase/3 pole)        | 400V            | -         | -      | -            | -      | 40    |    |
|  |  | 500V            | A         | -      | -            | -      | -     |    |
|  | 690V   | A               | 16        | 25     | 16           | 25     | 30    |    |
|  |  | A               | -         | 28,5   | -            | 28,5   | 40    |    |
|  | <b>AC3</b> Squirrel-cage motor: starting, switching off motor during running (3 phase/ 3 pole) | 400V            | -         | 28,5   | -            | 28,5   | 40    |    |
| 690V   |  | A               | 12        | 20     | 12           | 20     | 25    |    |
| <b>DC21A</b> Resistive loads, including Moderate overloads                     | 300 V  | A               | 25        | 32     | 25           | 32     | -     |    |
|  | 250 V  | A               | 20        | 32     | 20           | 32     | -     |    |
| <b>DC22A</b> Mixed resistive and inductive loads, including moderate overloads | 300 V  | A               | 25        | 32     | 25           | 32     | -     |    |
|  | 250 V  | A               | 20        | 32     | 20           | 32     | -     |    |
| Rated short-time withstand current <b>Icw</b> (s)                              | A  | 400             | 400       | 400    | 400          | 1500   |       |    |
| Short-circuit protection:  | Conditional short-circuit current  | kA              | 10        | 10     | 10           | 10     | 10    |    |
|  | Associate fuse size for conditional short-circuit current - Type gG                            | 500 V           | kA        | 16     | 32           | 16     | 32    | 63 |
|  | Rated short-circuit making capacity <b>Icm</b>   | kA              | 1500      | 1500   | 1500         | 1500   | 2850  |    |
| Permissible wire guage:  | Flexible wire  | mm <sup>2</sup> | 1.5-10    | 1.5-10 | 1.5-10       | 1.5-10 | 10-35 |    |
|  |  | AWG             | 16-8      | 16-8   | 16-8         | 16-8   | 10-2  |    |
|  | Rigid wire   | mm <sup>2</sup> | 1.5-16    | 1.5-16 | 1.5-16       | 1.5-16 | 10-35 |    |
|  |  | AWG             | 16-8      | 16-8   | 16-8         | 16-8   | 10-2  |    |

> DIMENSIONS

16A - 32A



PG VERSION

| Knock out holes | PG16 | PG21 |
|-----------------|------|------|
| Right side      | 2    |      |
| Left side       | 2    |      |
| Upper side      | 2    | 1    |
| Bottom side     |      | 1    |
| Rear side       | 2    |      |

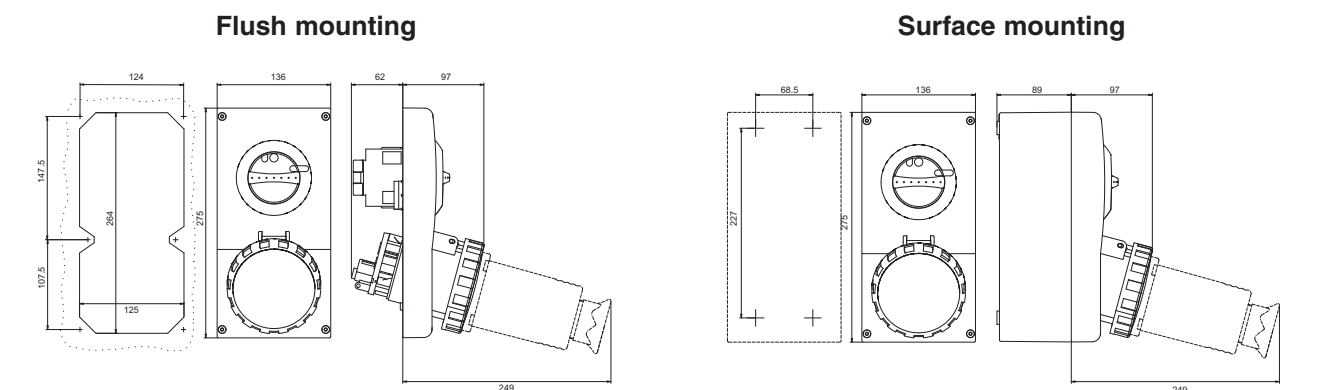
METRIC VERSION

|             |           |
|-------------|-----------|
| Right side  | 2xM20     |
| Left side   | 2xM20     |
| Upper side  | 3xM20/M25 |
| Bottom side | 2xM20/M25 |
| Rear side   | 2xM20/M25 |

(\* distance 54 becomes 58 for versions with fuse-holder base)

| IP44                     |        | A    | B   | C  | D   | L   | H   | IP67   |     | A    | B   | C   | D   | L   | H   |     |
|--------------------------|--------|------|-----|----|-----|-----|-----|--------|-----|------|-----|-----|-----|-----|-----|-----|
| Without fuse-holder base | 16A    | 2P+E | 198 | 95 | 51  | 95  | 130 | 184    | 16A | 2P+E | 202 | 100 | 52  | 100 | 134 | 188 |
|                          | 3P+E   | 205  | 107 | 53 | 107 | 137 | 190 | 3P+E   | 210 | 109  | 54  | 109 | 142 | 195 |     |     |
|                          | 3P+N+E | 226  | 118 | 54 | 118 | 153 | 207 | 3P+N+E | 230 | 122  | 60  | 122 | 162 | 216 |     |     |
|                          | 2P+E   | 229  | 121 | 63 | 121 | 161 | 215 | 2P+E   | 235 | 125  | 65  | 125 | 166 | 220 |     |     |
|                          | 3P+E   | 229  | 121 | 63 | 121 | 161 | 215 | 3P+E   | 235 | 125  | 65  | 125 | 166 | 220 |     |     |
|                          | 3P+N+E | 236  | 127 | 64 | 127 | 169 | 223 | 3P+N+E | 245 | 130  | 67  | 130 | 166 | 230 |     |     |
| With fuse-holder base    | 16A    | 2P+E | 213 | 95 | 66  | 95  | 145 | 203    | 16A | 2P+E | 217 | 100 | 67  | 100 | 149 | 207 |
|                          | 3P+E   | 220  | 107 | 68 | 107 | 152 | 209 | 3P+E   | 225 | 109  | 69  | 109 | 157 | 214 |     |     |
|                          | 3P+N+E | 241  | 118 | 69 | 118 | 168 | 226 | 3P+N+E | 245 | 122  | 75  | 122 | 177 | 235 |     |     |
|                          | 2P+E   | 244  | 121 | 78 | 121 | 176 | 234 | 2P+E   | 250 | 125  | 80  | 125 | 181 | 239 |     |     |
|                          | 3P+E   | 244  | 121 | 78 | 121 | 176 | 234 | 3P+E   | 250 | 125  | 80  | 125 | 181 | 239 |     |     |
|                          | 3P+N+E | 251  | 127 | 79 | 127 | 194 | 242 | 3P+N+E | 260 | 130  | 82  | 130 | 181 | 249 |     |     |

63A



(Dimensions in mm)