

> SOCKET OUTLETS



> VERSIONS

	British socket 13A
	British socket 5A
	Euro-american socket 13A
	Double Euro-american socket 5A

> REFERENCE STANDARDS

BS 1363-2
13A plugs, socket-outlets and adaptors.
Specification for 13A switched and unswitched socket-outlets.

BS 546
Two-pole and Earthing-Pin plugs, socket-outlets and socket-outlet adaptors for AC (50-60 Hz) circuit up to 250V.

> QUALITY MARKS



> TECHNICAL CHARACTERISTICS

Rated current:	5A - 13A - 16A
Rated voltage:	250V~
Frequency:	50Hz
Insulating voltage:	250V~
Protection degree:	IP20D
Operating temperature according to the reference standard:	-5°C+40°C
Max. operating temperature:	+60°C
Glow Wire test:	850°C
Max. installation altitude:	2.000 m
Cabling capacity of the terminals:	3x2,5mm² 2x4mm² 2x6mm² (stranded)
Mounting box type:	Flush 1 gang (min. deepness: 25mm) Surface 1 gang (min. deepness: 25mm)
Material:	Engineering plastic
Colour:	White RAL 9016

> BEHAVIOUR WITH CHEMICAL AND ATMOSPHERIC AGENTS

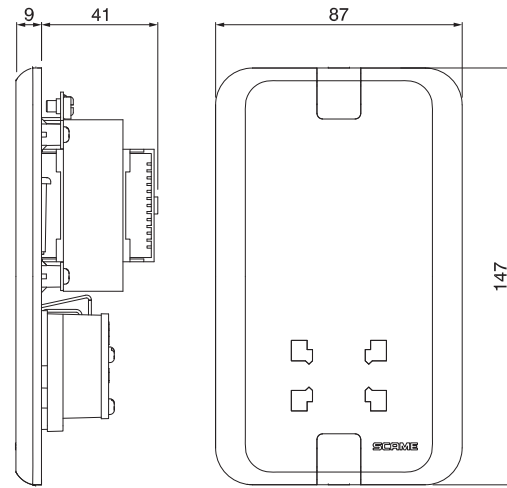
Saline solution	Acids		Bases		Solvents				Mineral oil	UV rays
	Concentrated	Diluted	Concentrated	Diluted	Hexane	Benzol	Acetone	Alcohol		
Resistant	Limited Resistance	Resistant	Limited Resistance	Resistant	Resistant	Not Resistant	Not Resistant	Resistant	Limited Resistance	Resistant

> APPLICATION EXAMPLES

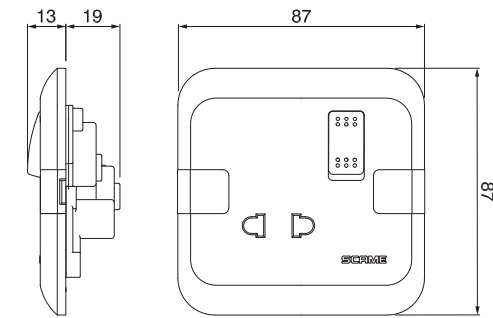


> DIMENSIONS

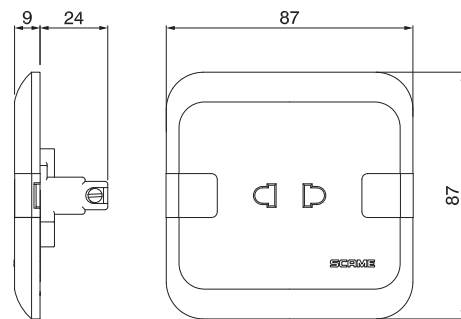
COD. 103.420



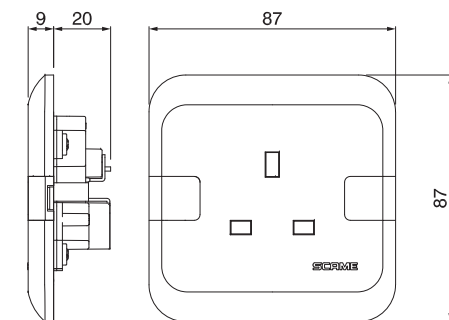
COD. 103.423



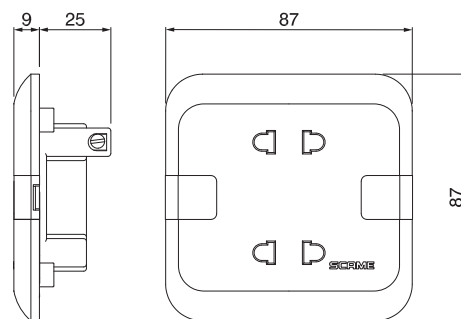
COD. 103.421



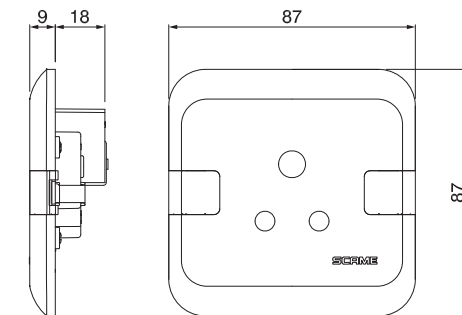
COD. 103.4001



COD. 103.422



COD. 103.4005



(Dimensioni in mm)

(Dimensioni in mm)