

## > LIGHT FITTINGS



## > VERSIONS

	Bulkhead light oval
	Bulkhead light round
	Bulkhead light square

## > REFERENCE STANDARDS

**EN 60598-1**  
Luminaires  
*Part 1: general requirements and tests*

**EN 60598-2-1**  
Luminaires  
*Part 2: particular requirements  
Section 1: fixed general purpose luminaires*

## > QUALITY MARKS



## > TECHNICAL CHARACTERISTICS

Protection degree:	<b>IP44 - IP65</b>
Operating temperature according to the reference standard:	<b>-25°C+35°C</b>
Rated wattage:	<b>Max. 100W</b>
Glow Wire test:	<b>850°C</b>
Grado IK a 20°C:	<b>IK08 - IK10</b>
Cable inlet:	<b>PG9 - PG13,5</b>
Double insulation <input checked="" type="checkbox"/> :	<b>Yes (classe II)</b>
Lampholder type:	<b>E27 - B22</b>
Installation on inflammable surface:	<b>Yes</b>
Material:	<b>Engineering plastic</b>

## > BEHAVIOUR WITH CHEMICAL AND ATMOSPHERIC AGENTS

Saline solution	Acids		Bases		Solvents				Mineral oil	UV rays
	Concentrated	Diluted	Concentrated	Diluted	Hexane	Benzol	Acetone	Alcohol		
Resistant	Limited Resistance	Resistant	Limited Resistance	Limited Resistance	Limited Resistance	Not Resistant	Not Resistant	Resistant	Limited Resistance	Resistant

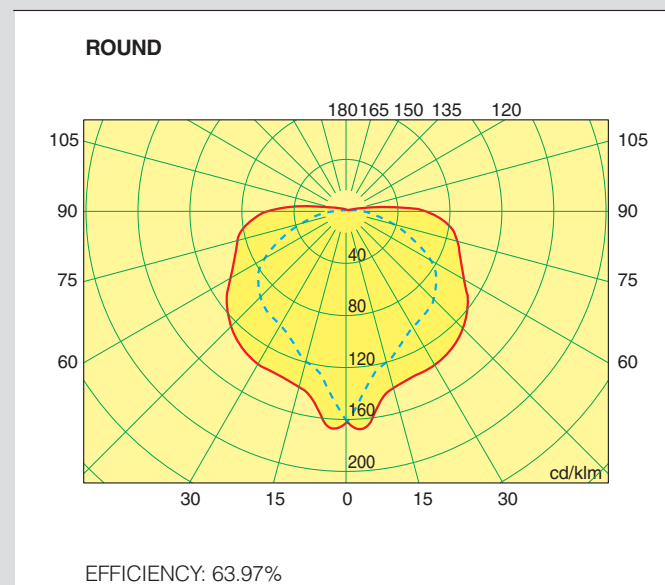
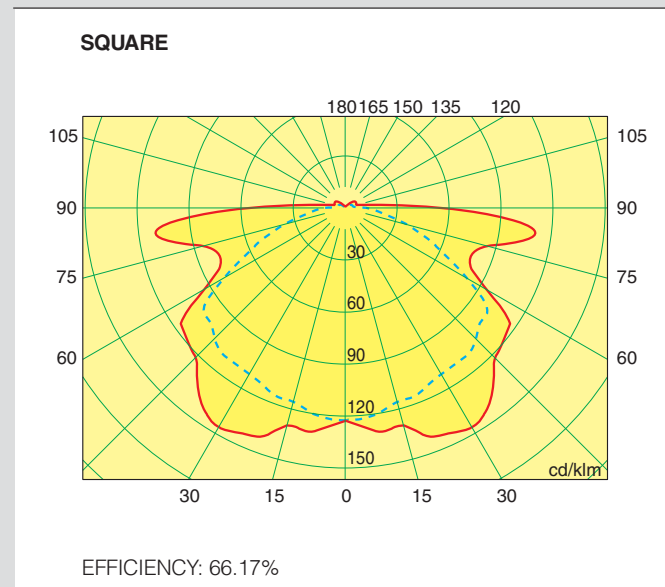
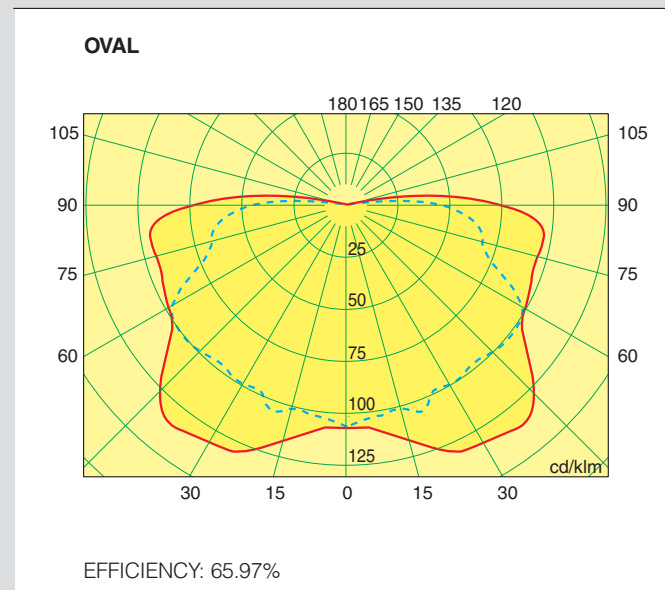
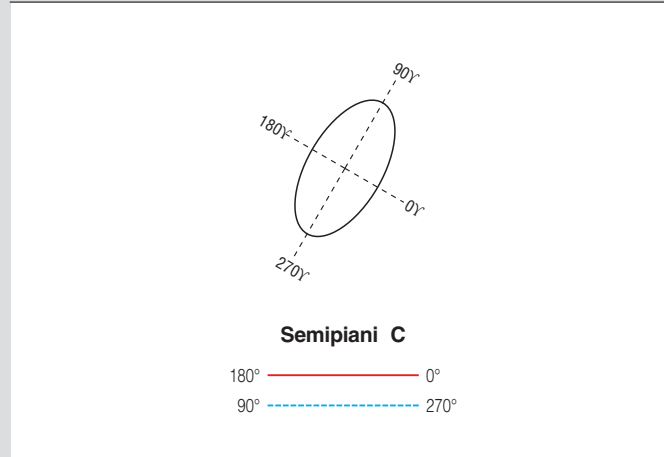
## > APPLICATION EXAMPLES



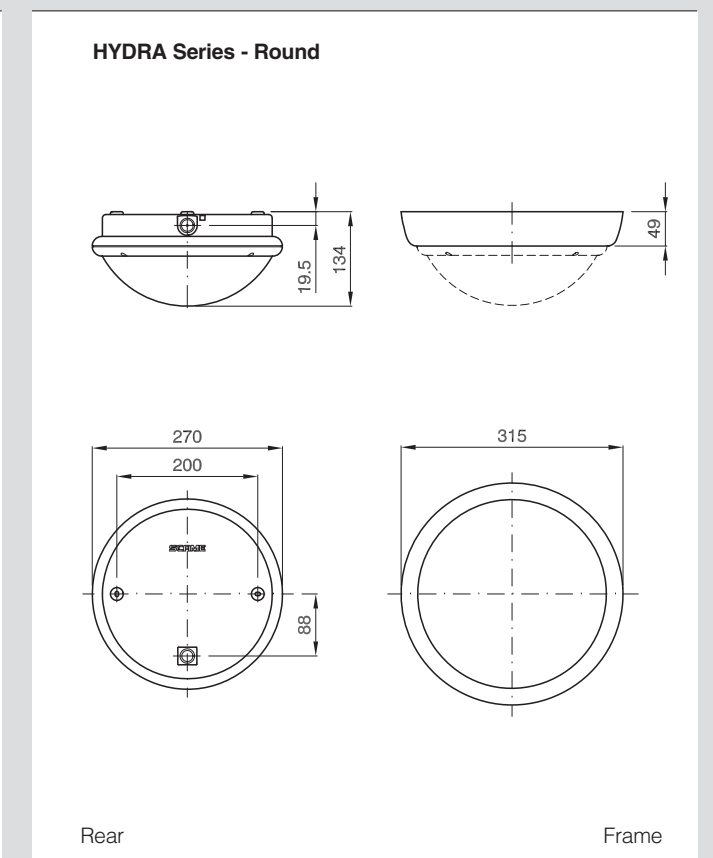
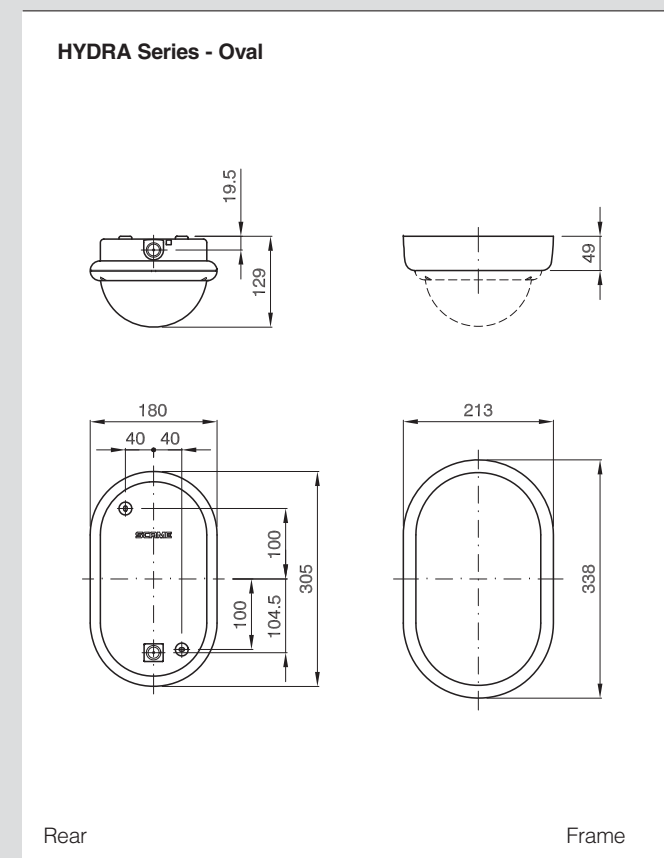
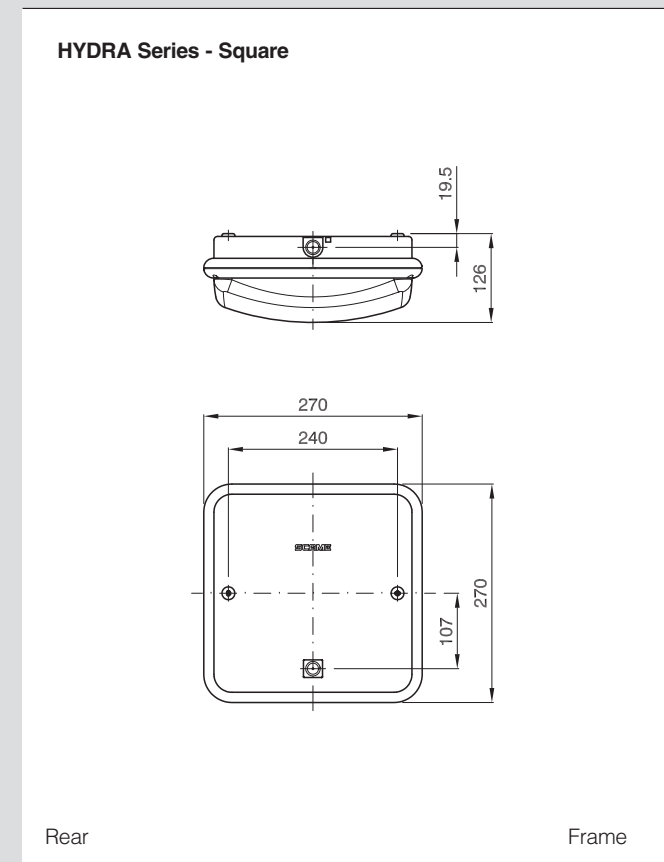
## > POLE DIAGRAM

### E27 - B22

- Incandescent bulb: 100W E27
- Total flux: 1350 lm



## > DIMENSIONS



(Dimensions in mm)