

> SOCKETS FOR DOMESTIC APPLICATIONS



> REFERENCE STANDARDS

- CEI 23-50**
Plugs and socket-outlets for household and similar purposes
Part 1: general requirements
- NCF 61-303**
- VDE 0620**

> QUALITY MARKS



> VERSIONS

- Panel mounting flange 50x60mm IP44.
- Panel mounting flange 70x87mm IP44.
- Panel mounting flange 70x87mm IP44.
- Surface mounting flange 70x87mm IP44.

> TECHNICAL CHARACTERISTICS

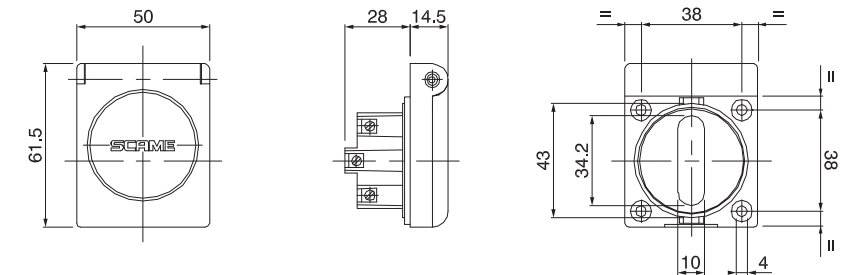
Rated current:	16A
Rated voltage:	250V~
Frequency:	50Hz
Insulating voltage:	690V~
Protection degree:	IP44 closed cover
Operating temperature according to the reference standard:	-25°C + 35°C
Max. operating temperature:	60°C
Glow Wire test:	650°C/750°C
Material:	Engineering plastic
IK degree at 20°C:	IK06
Cabling capacity of the terminals:	1,5mmq÷2x2,5mmq

> BEHAVIOUR WITH CHEMICAL AND ATMOSPHERIC AGENTS

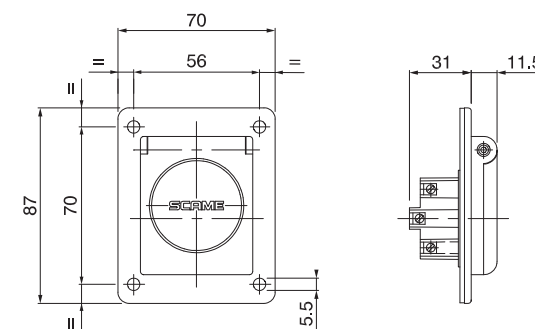
Saline solution	Acids		Bases		Solvents				Mineral oil	UV rays
	Concentrated	Diluted	Concentrated	Diluted	Hexane	Benzol	Acetone	Alcohol		
Resistant	Not Resistant	Not Resistant	Limited Resistance	Resistant	Not Resistant	Not Resistant	Not Resistant	Limited Resistance	Resistant	Resistant

> DIMENSIONS

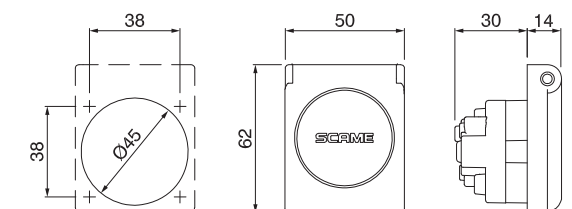
COD. 570.2071



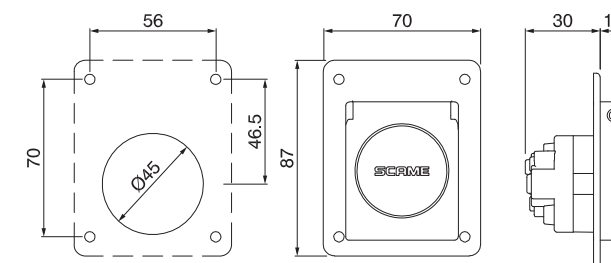
COD. 570.2071



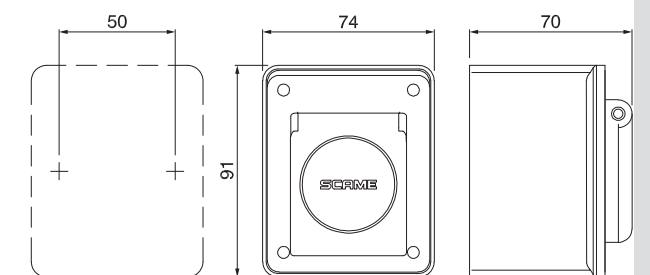
COD. 570.2081



COD. 570.4081



COD. 570.4151



(Dimensions in mm)