

> CONSUMER UNITS AND ENCLOSURES



> VERSIONS

	Surface mounting - IP66
	Surface mounting - IP40 With window
	Surface mounting - IP40 Without window
	Flush mounting - IP40 With window

> REFERENCE STANDARDS

EN 60670
Boxes and enclosures for electrical accessories for household and similar fixed electrical installations.

CEI 23-49
Enclosure for accessories for household and similar fixed electrical installations.
Part 2: particular requirements for enclosures for protection devices and accessories dissipating a considerable power in normal use

> QUALITY MARKS



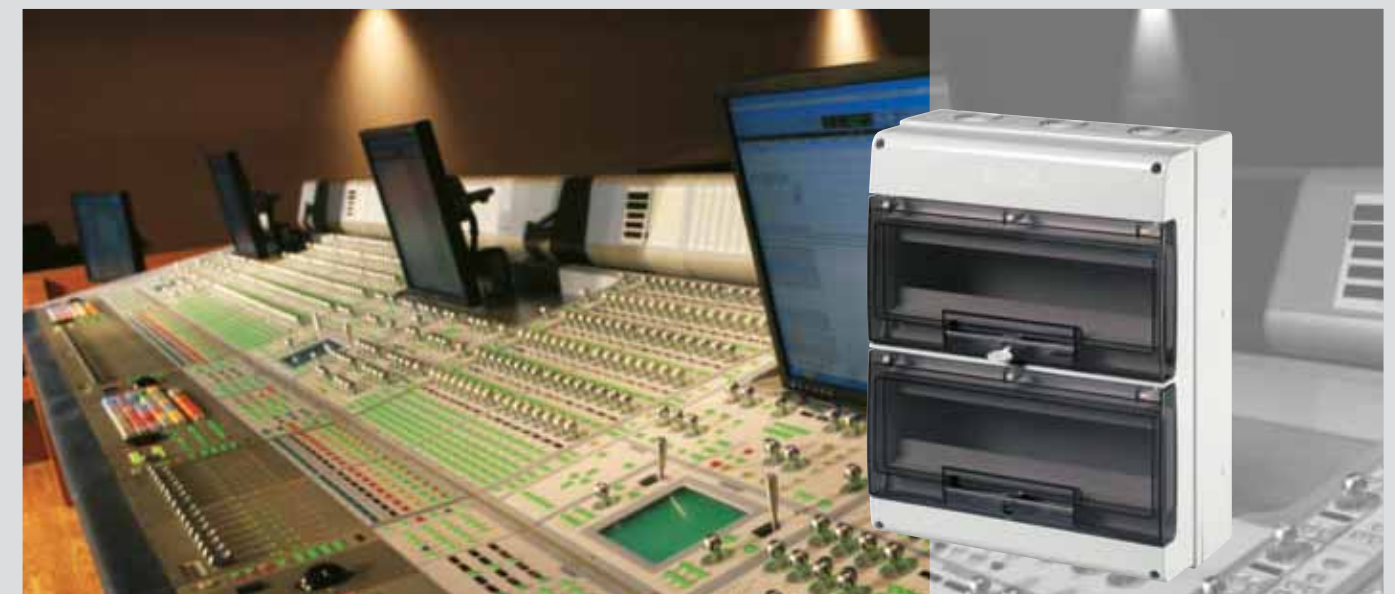
> TECHNICAL CHARACTERISTICS

Protection degree:	IP40 - IP66
Operating temperature according to the reference standard:	-25°C+35°C
Max. operating temperature:	60°C
Glow Wire test:	650°C
Material:	Engineering plastic
IK degree at 20°C:	IP40: IK06 IP66: IK07
Cable inlets:	PG/METRIC
Total insulation <input checked="" type="checkbox"/> :	Yes
Halogen free:	Yes
Dissipable power according to CEI 23-49 standard:	9÷140W
Colour:	Grey RAL 7035 White RAL 9003
Terminal blocks fixing possibility:	Yes

> BEHAVIOUR WITH CHEMICAL AND ATMOSPHERIC AGENTS

Saline solution	Acids		Bases		Solvents				Mineral oil	UV rays
	Concentrated	Diluted	Concentrated	Diluted	Hexane	Benzol	Acetone	Alcohol		
Resistant	Limited Resistance	Resistant	Limited Resistance	Resistant	Resistant	Not Resistant	Not Resistant	Resistant	Not Resistant	Resistant

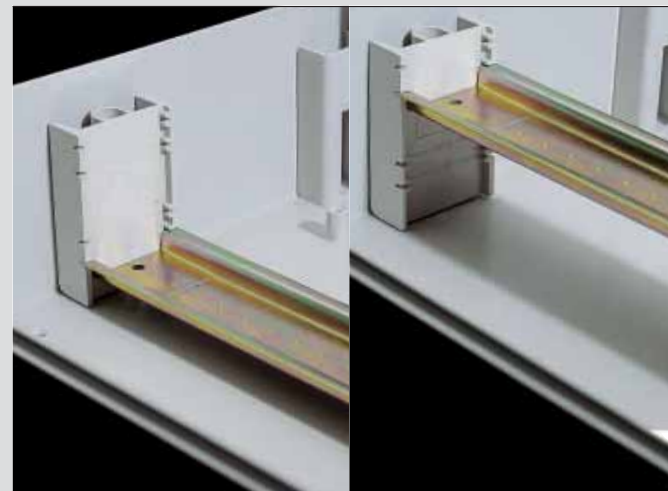
> APPLICATION EXAMPLES



> SURFACE MOUNTING IP66



Hinges: should be snap-fitted into their guides, can be mounted on the left or the right side, in the series versions 12 to 64 DIN modules.



DIN rail (EN 60715): can be placed on different levels.



The semi-transparent tinted window, lockable and sealable. To open it, just lower the handle provided, snap-closing.

> SURFACE MOUNTING IP40

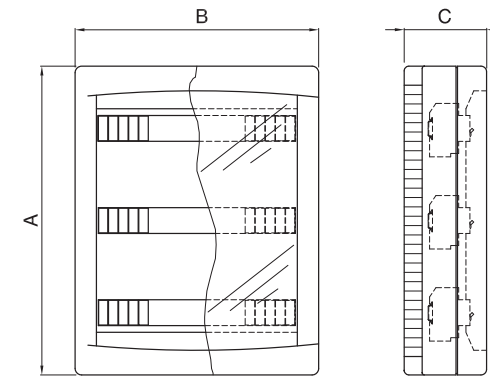


1/4 turn locking device



Vertical connection

> DIMENSIONS - SURFACE AND FLUSH MOUNTING IP40



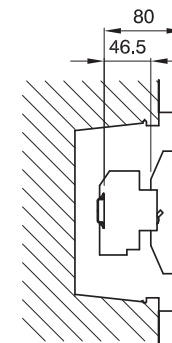
DIMENSIONS AND DISSIPABLE POWER*

DIN MODULES	DIMENSIONS (mm) AxBxC	SURFACE MOUNTING		FLUSH MOUNTING	
		WITHOUT WINDOW	WITH WINDOW	WITHOUT WINDOW	WITH WINDOW
2/4	130x97x84	9W			
4	190x135x108	11W		180x150x75	17W
8	190x254x108	18W	17W	210x254x75	21W
12	250x326x108	25W (50WΔ)	24W (48WΔ)	270x326x75	32W
24	400x326x108	41W (87WΔ)	35W (63WΔ)	420x326x95	52W (74WΔ)
18	250x434x140	43W (85WΔ)	42W (74WΔ)	270x434x75	36W
36	400x434x140	75W (108WΔ)	57W (96WΔ)	420x434x95	61W
54	550x434x140	103W (140WΔ)	75W (125WΔ)	570x434x95	71W

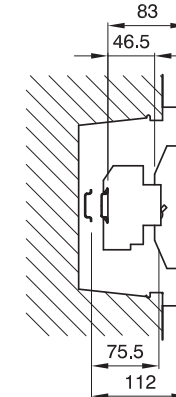
(Δ) Two consumer units on top of each other joined by specially designed accessories

(*) Power calculated in conformity to CEI 23-49 standard

> DIMENSIONS - FLUSH MOUNTING IP40



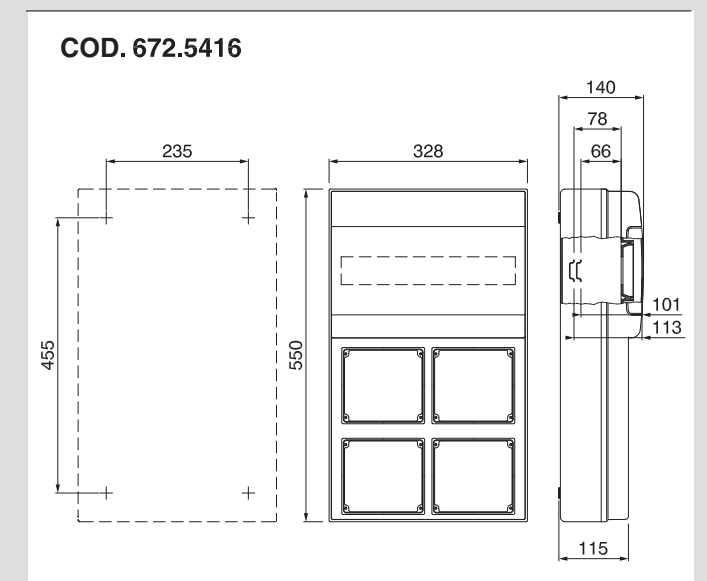
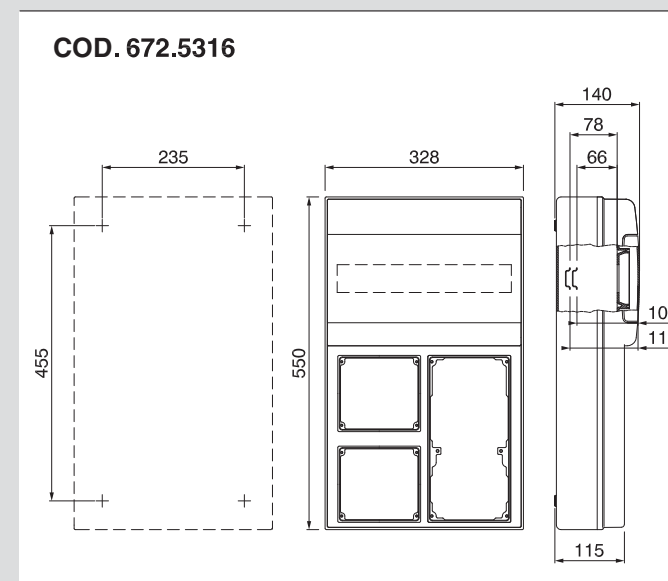
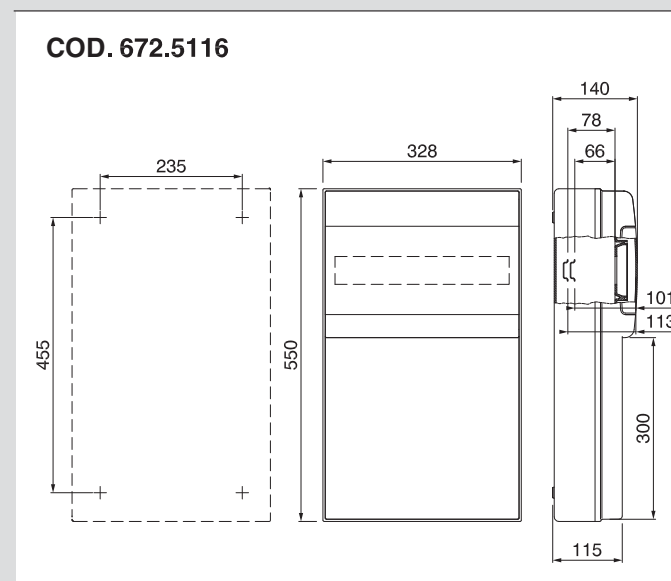
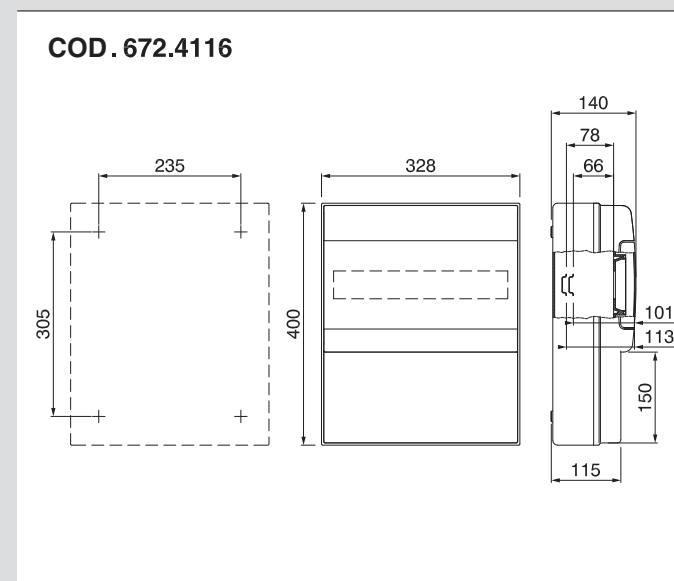
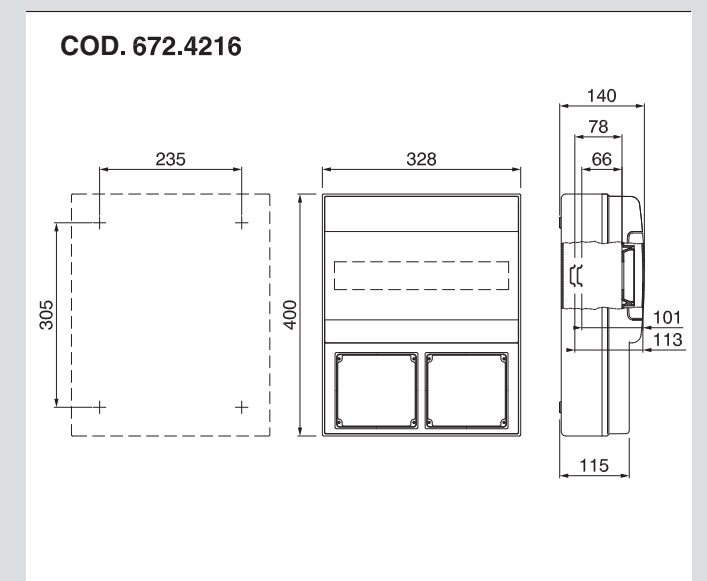
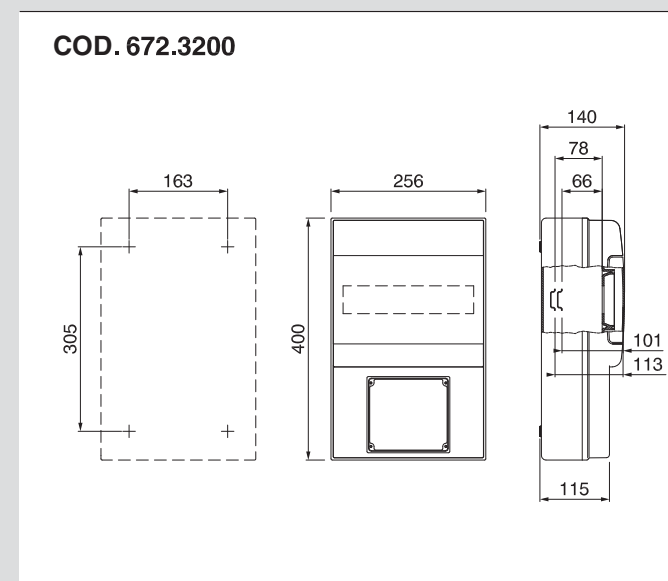
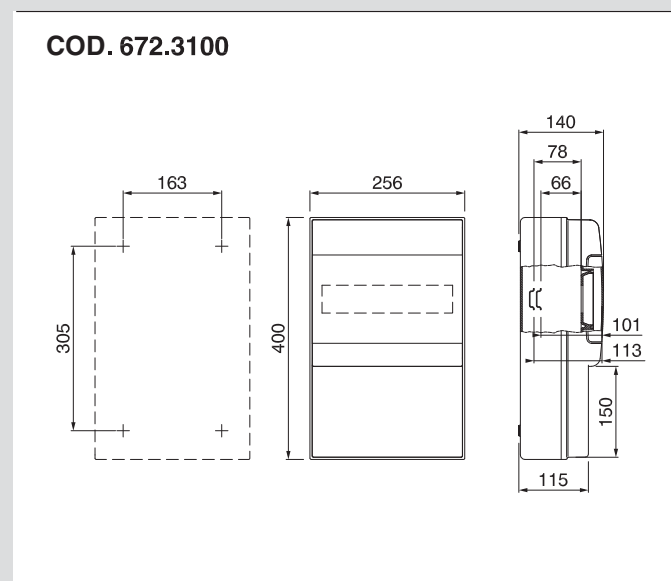
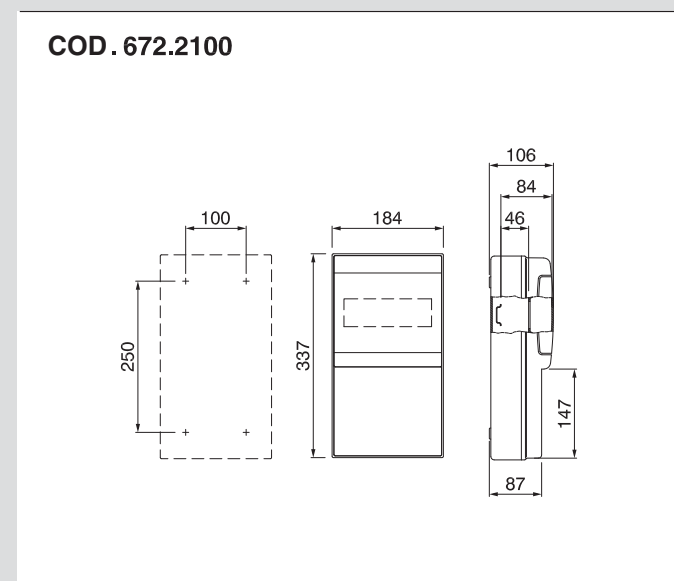
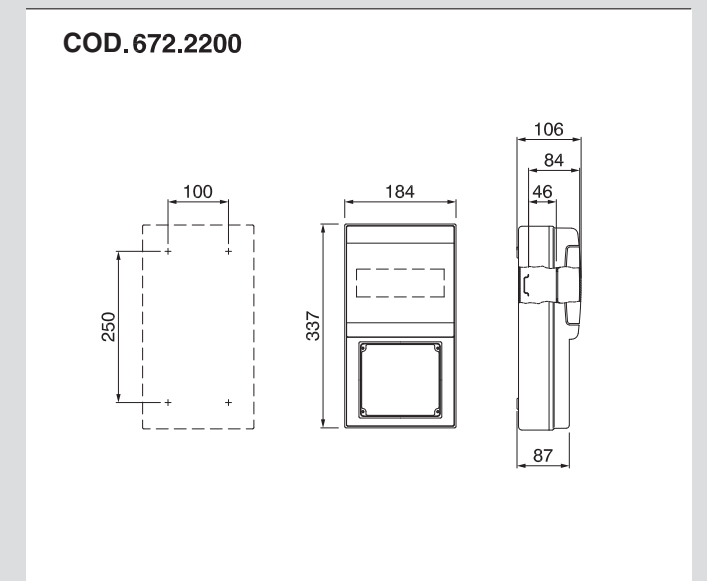
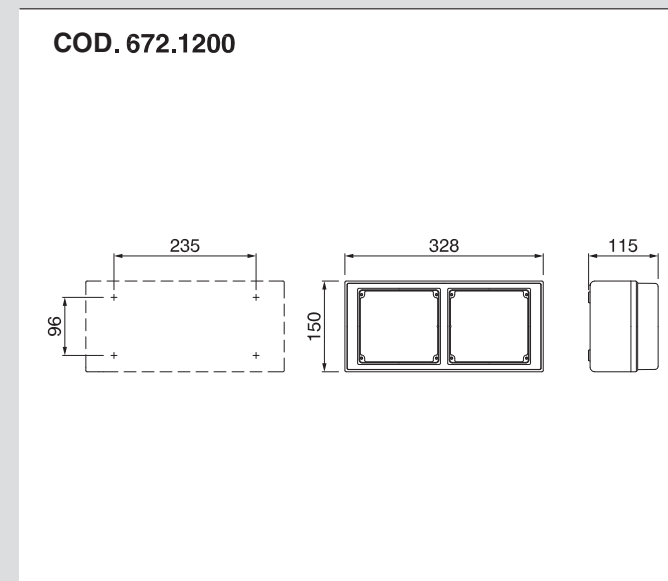
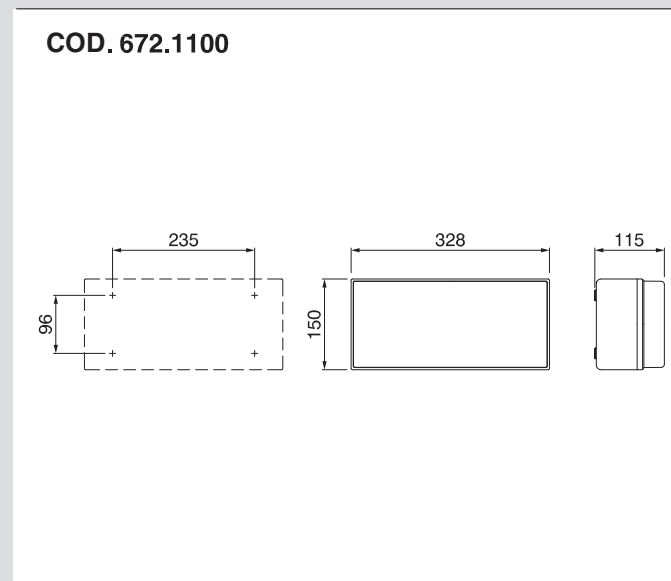
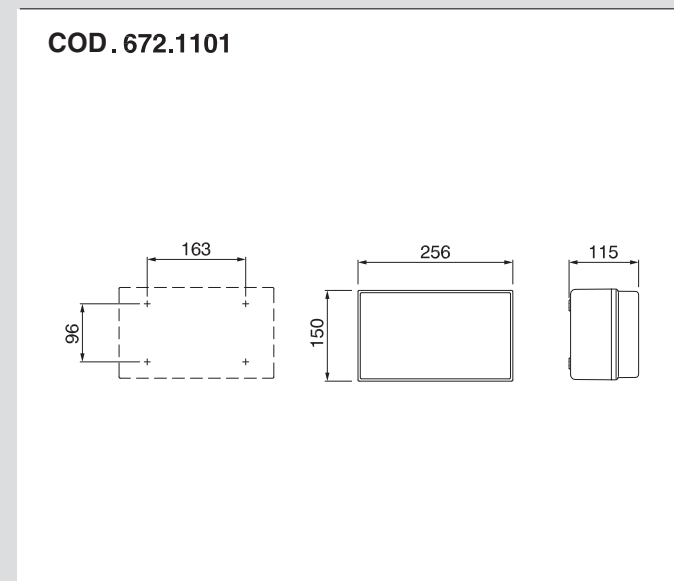
4-8-12-18 DIN with one position for 53 and 68 mm switches



24-36-54 DIN with two positions for 53 and 68 mm switches and MCCB

(Dimension in mm)

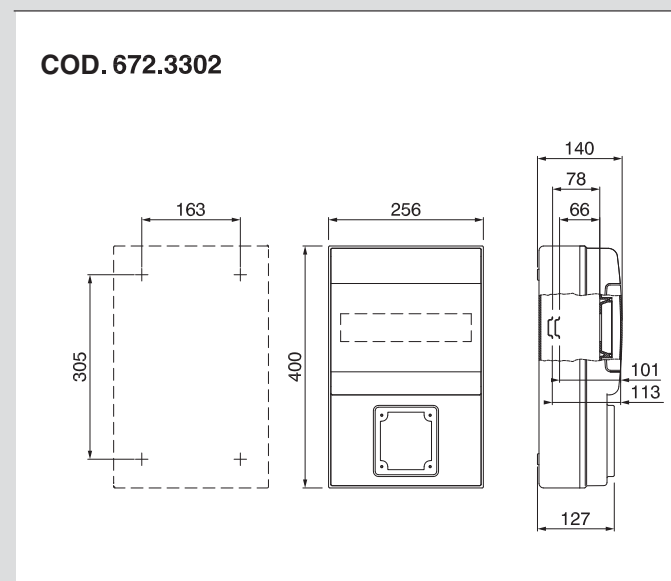
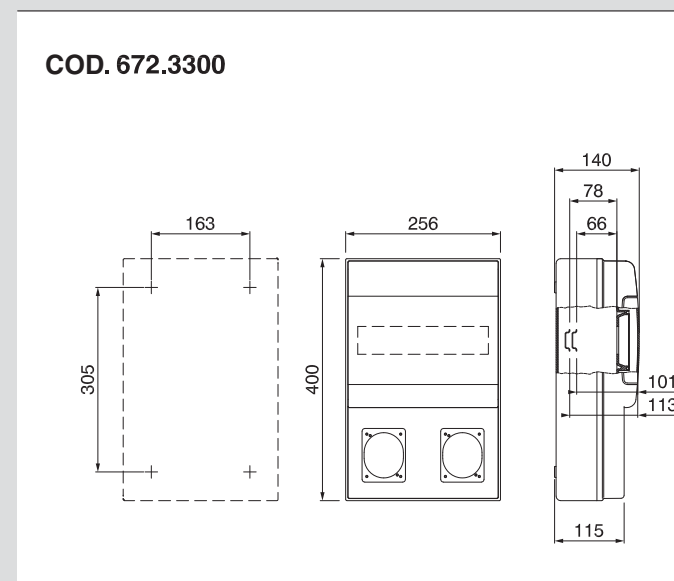
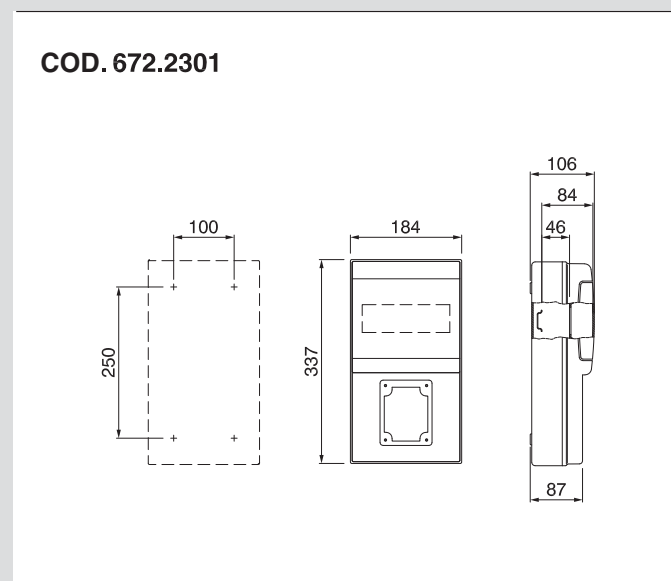
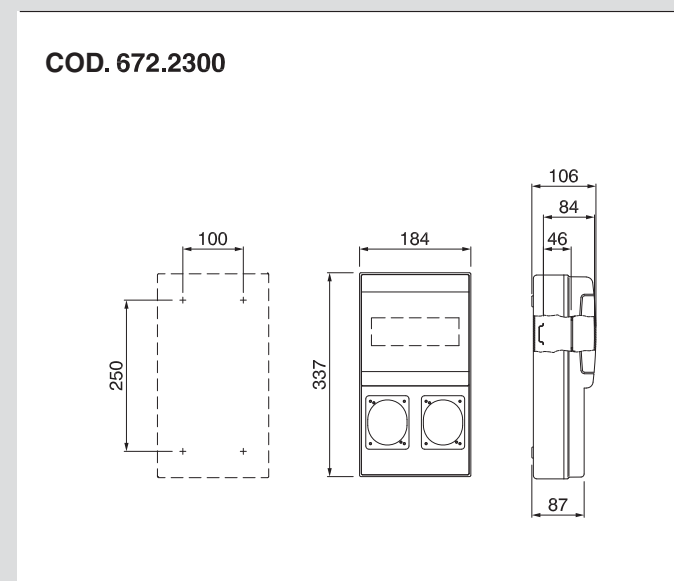
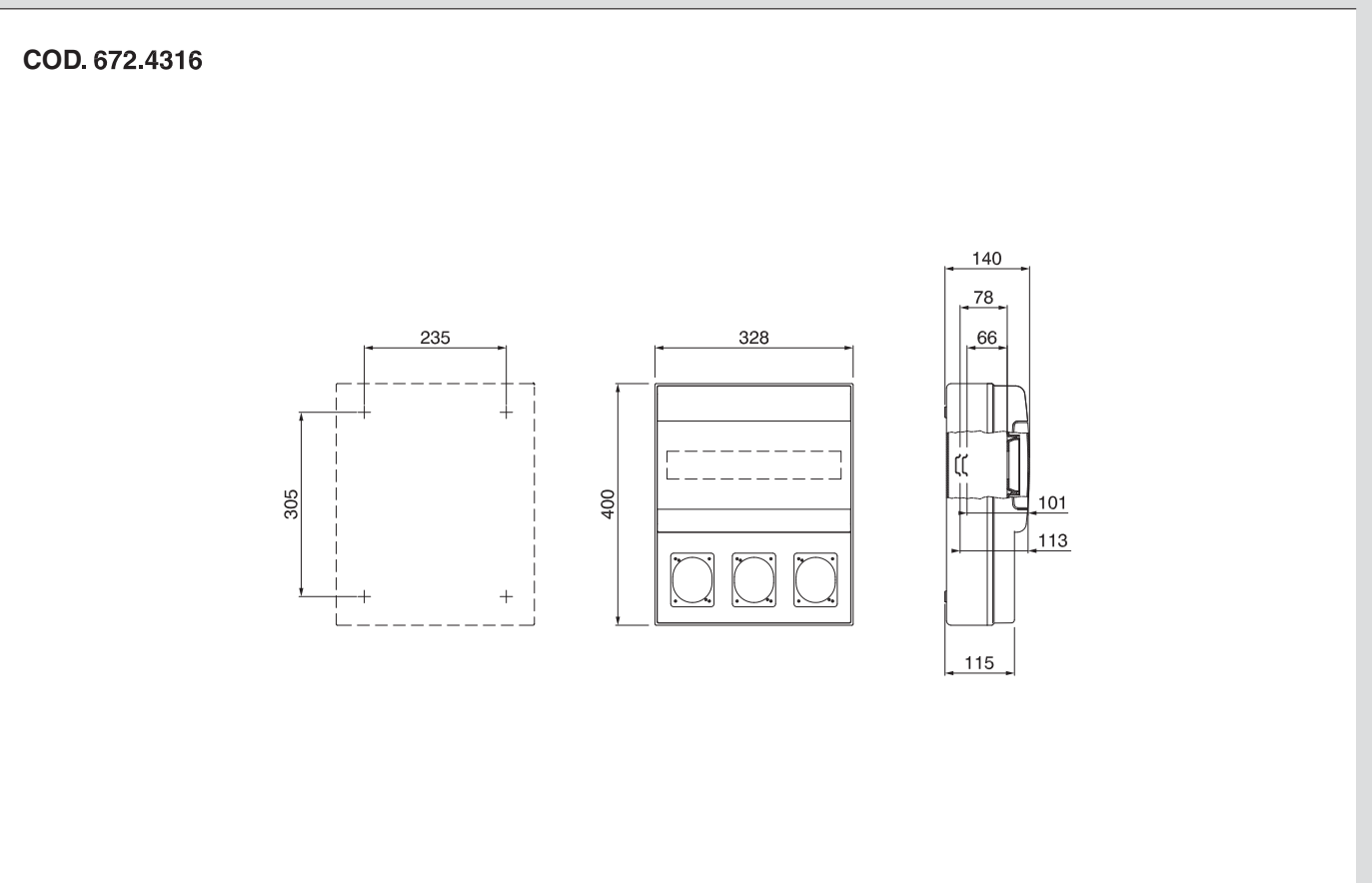
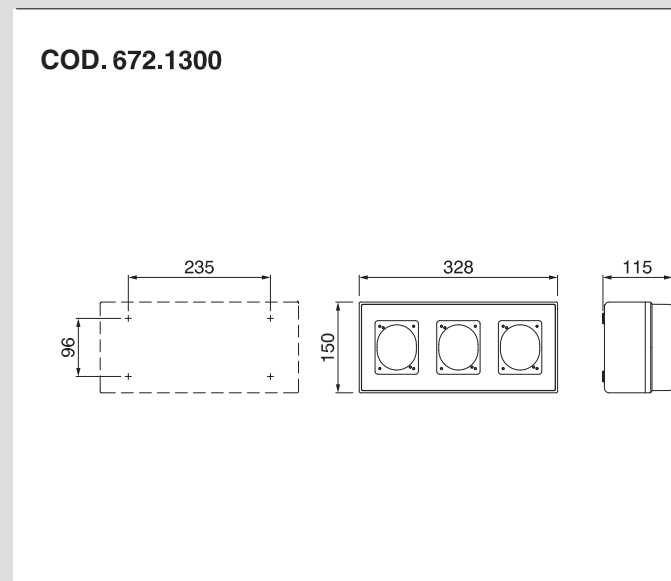
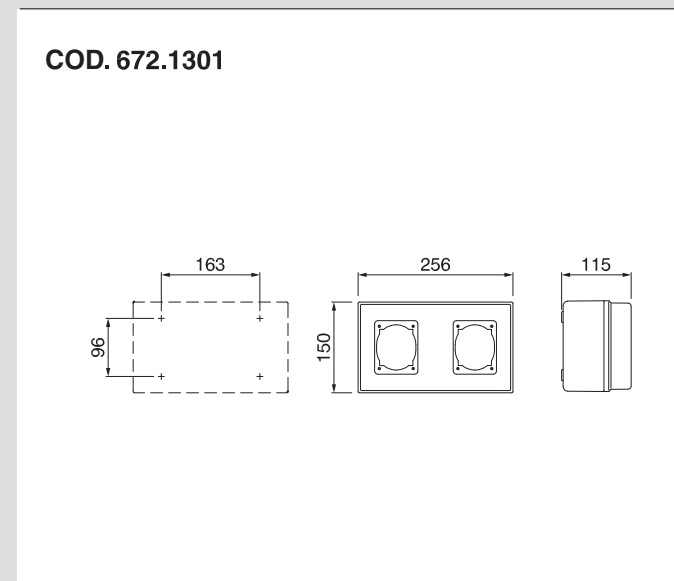
> DIMENSIONS



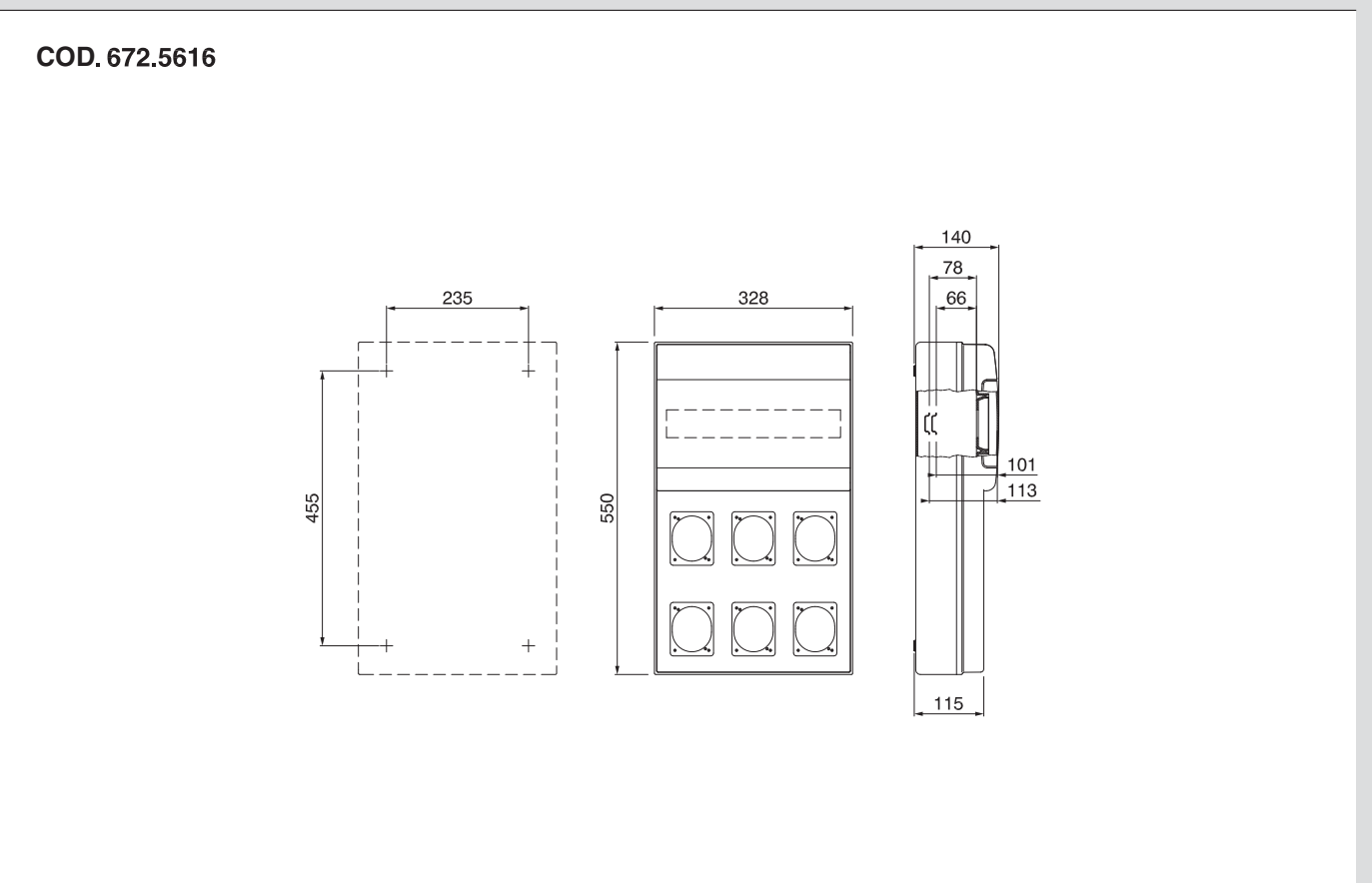
(Dimension in mm)

(Dimension in mm)

> DIMENSIONS

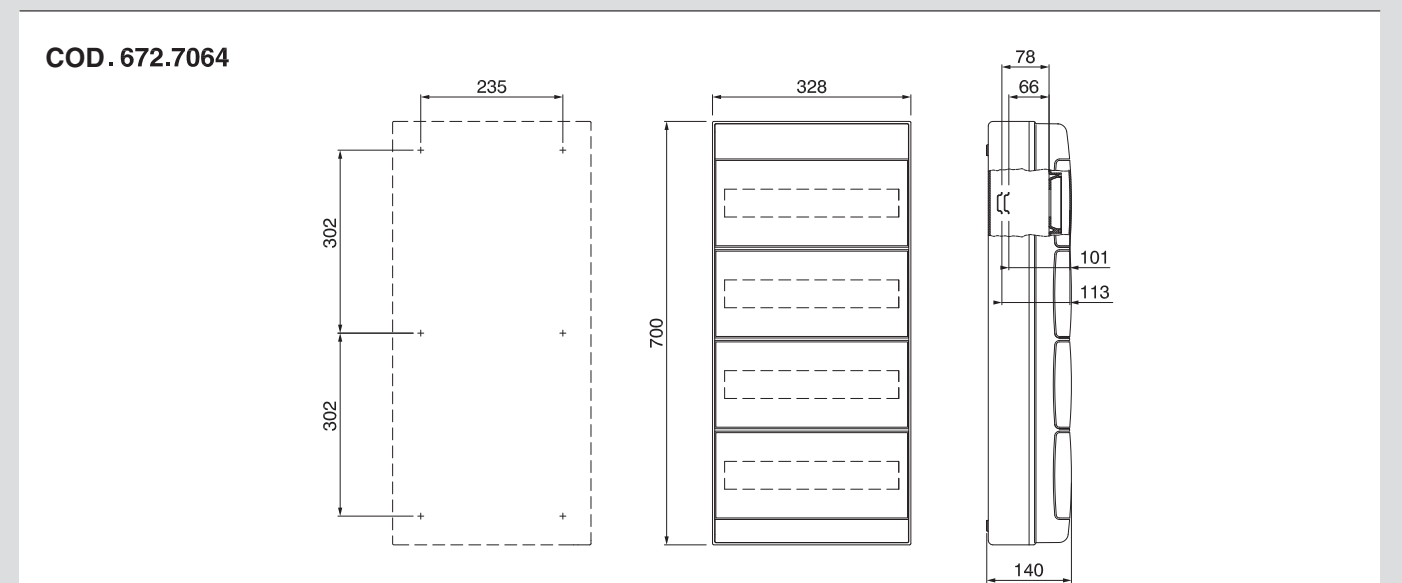
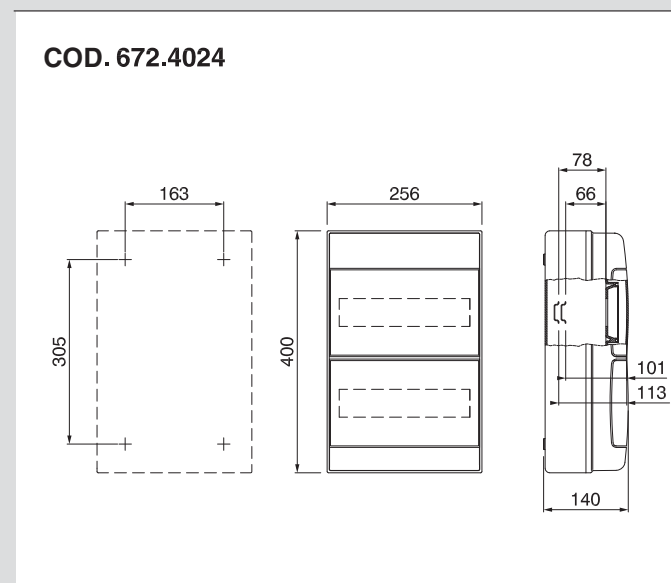
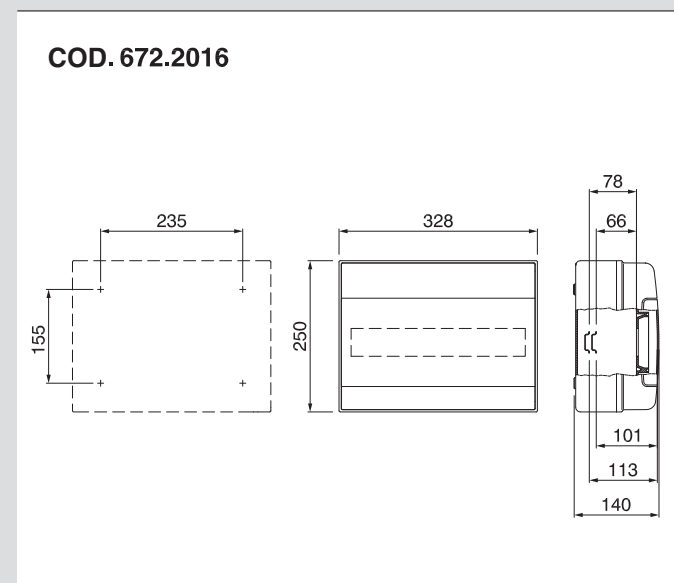
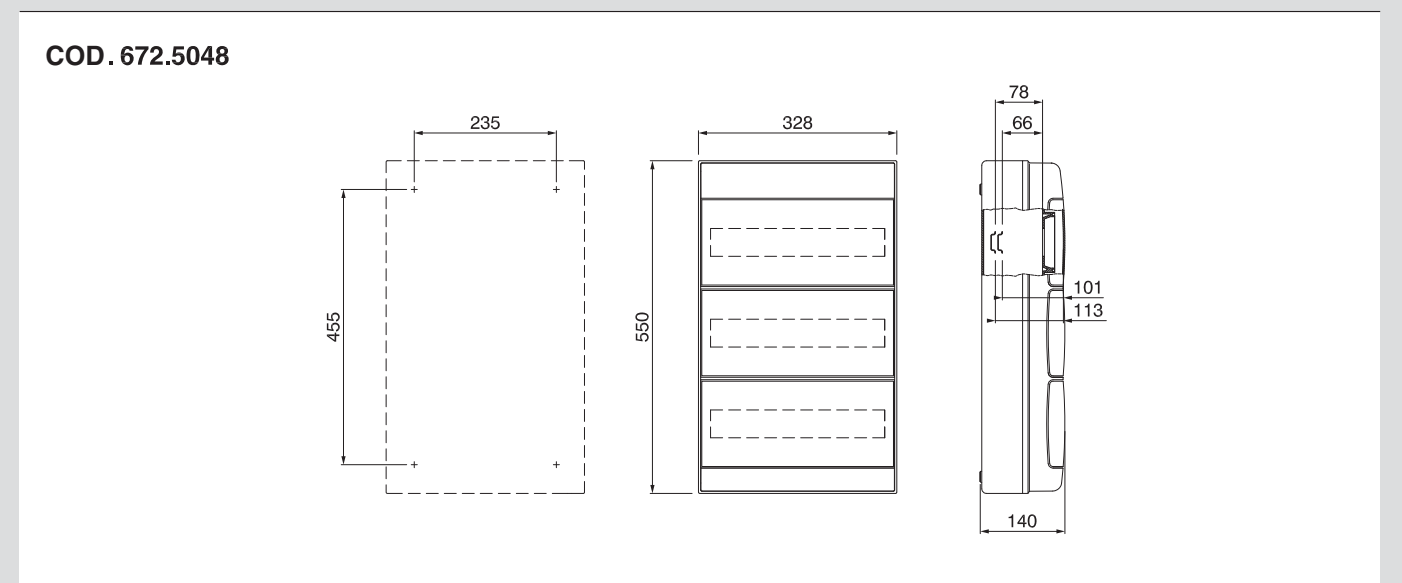
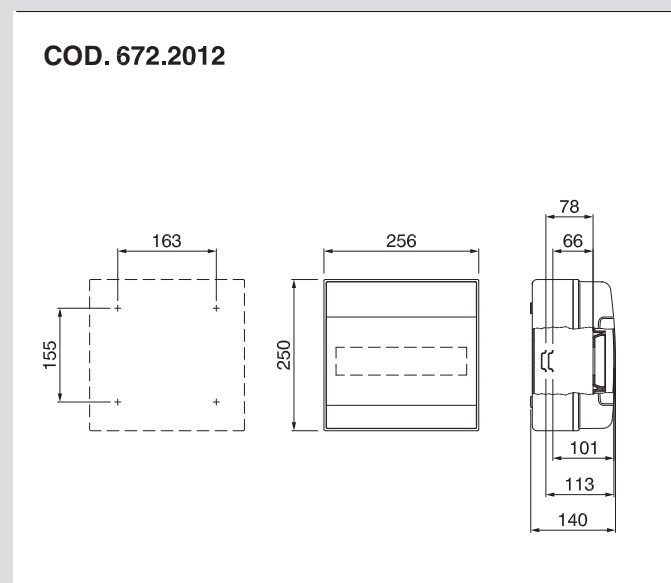
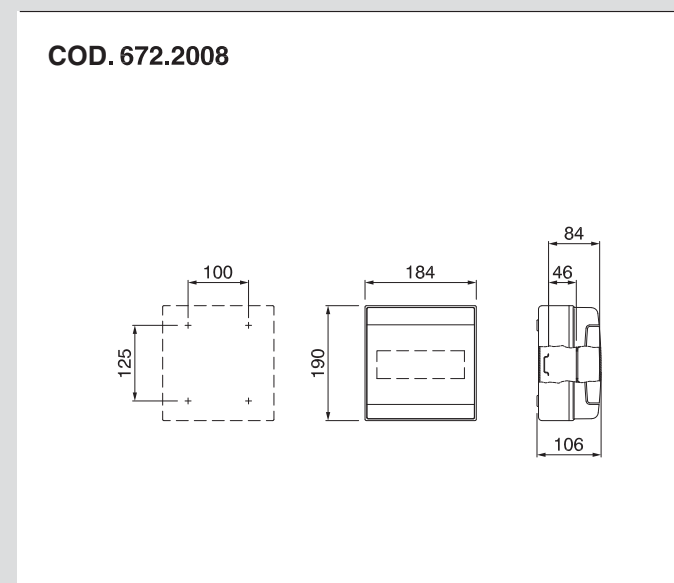
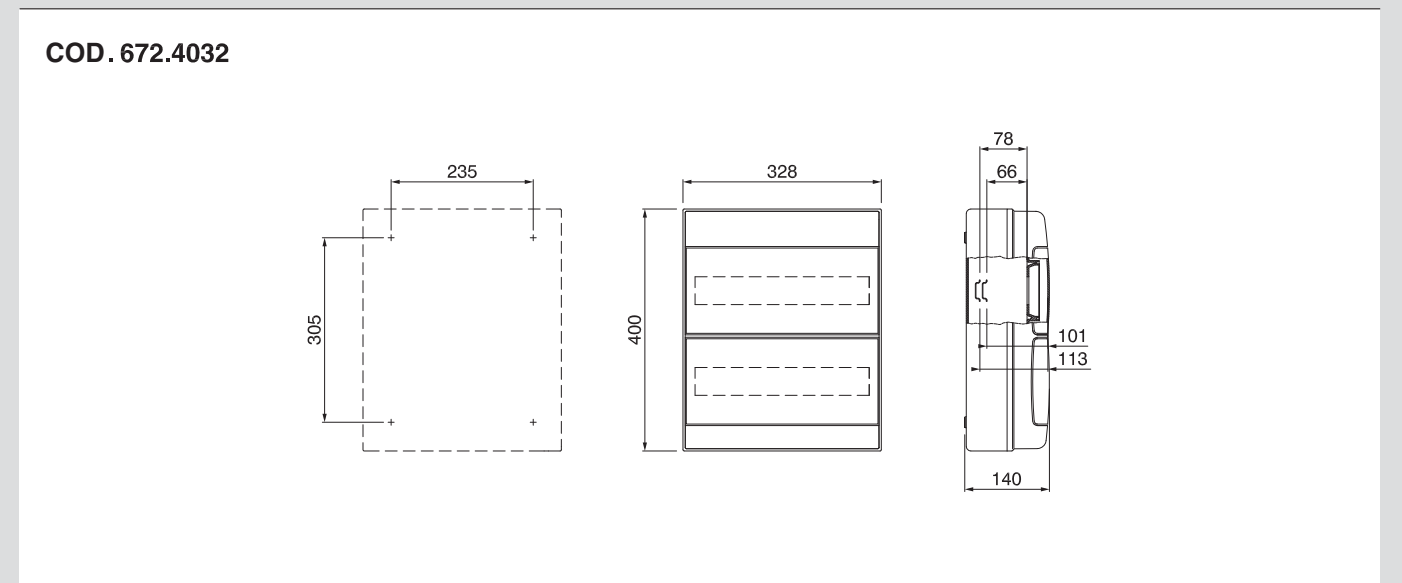
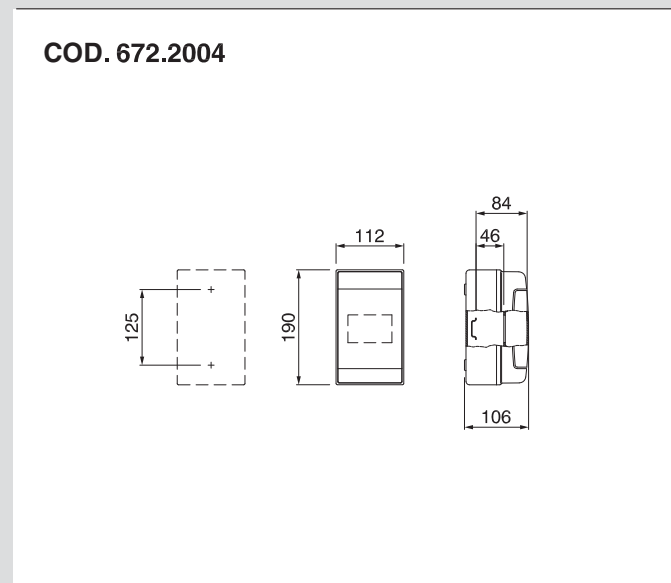
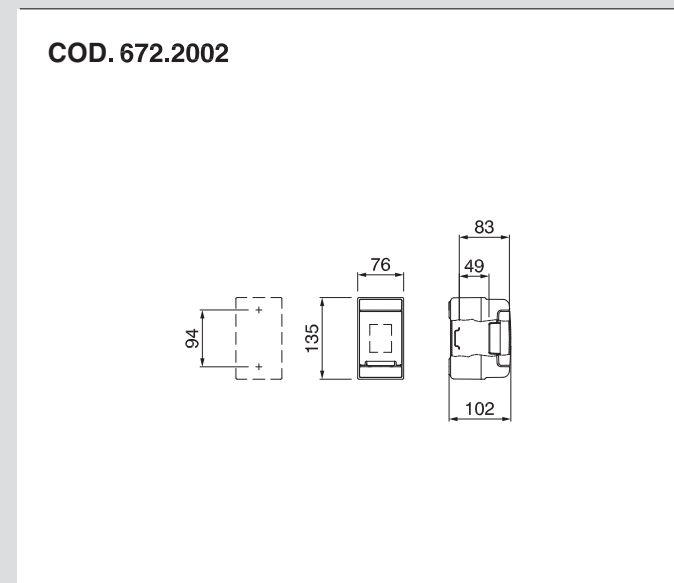


(Dimension in mm)



(Dimension in mm)

> DIMENSIONS



(Dimension in mm)

(Dimension in mm)