

> JUNCTION BOXES FOR ELECTRICAL INSTALLATIONS



> VERSIONS

- 

CUBIK 650 Series
Glow wire 650°C halogen free:

 - With cable sleeve and release cover
 - With cable sleeve and 1/4 turn screw cover
 - With blank sides and 1/4 turn screw cover
- 

CUBIK 960 Series
Glow wire 960°C:

 - With cable sleeve and release cover
 - With cable sleeve and 1/4 turn screw cover
 - With blank sides and 1/4 turn screw cover
- 

CUBIK 960 Series
Glow wire 960°C (red versions):

 - With cable sleeve and release cover
 - With cable sleeve and 1/4 turn screw cover
 - With blank sides and 1/4 turn screw cover

> REFERENCE STANDARDS

EN 60670-1
Boxes and enclosures for electrical accessories for household and similar fixed electrical installations.
Part 1: general requirements

EN 60670-22
Boxes and enclosures for electrical accessories for household and similar fixed electrical installations.
Part 22: particular requirements for connecting boxes and enclosures

> QUALITY MARKS



> TECHNICAL CHARACTERISTICS

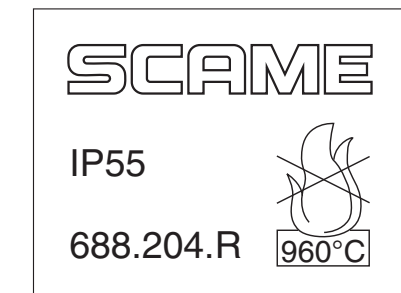
Protection degree:	IP55
Operating temperature according to the reference standard:	-25°C+35°C
Max. operating temperature:	60°C
Glow Wire test:	650°C/960°C
Material:	Engineering plastic
IK degree at 20°C:	IK07
Cable inlets:	Cable sleeve/Blank sides
Total insulation □:	Yes
Halogen free:	Yes (CUBIK 650 Series)
DIN rail fixing:	Yes
Colour:	Grey RAL 7035 - Red

> BEHAVIOUR WITH CHEMICAL AND ATMOSPHERIC AGENTS

Saline solution	Acids		Bases		Solvents				Mineral oil	UV rays
	Concentrated	Diluted	Concentrated	Diluted	Hexane	Benzol	Acetone	Alcohol		
Resistant	Limited Resistance	Resistant	Resistant	Resistant	Not Resistant	Not Resistant	Not Resistant	Limited Resistance	Resistant	Resistant



Glow wire 960°C versions (also in red) are identifiable by the symbol marked on the external side.



> APPLICATION EXAMPLES





INTERNAL FIXING SYSTEM

Connecting boxes up to 80x80x40mm dimensions feature two internal knock out fixing slots. Connecting boxes over 100x100x50mm dimensions feature four internal knock out fixing slots.



BACK FIXING SYSTEM

Versions up to 80x80x40mm dimensions can also be screwed to existing fixings on the wall. The fixings feature has to be an external M7 threaded pin, which is designed to fit with the base of boxes. In addition, specific reeding is on the backside so to avoid any accidental rotational movement of the box.



CAPACITY

Series CUBIK connector blocks are very spacious; raised walls increase the internal room, making any cabling operation easier.



CABLES SLEEVES

Cable sleeve provided with the kit consist of 5 different levels allowing the identification of pipe and wire diameters, making precise cut for cable easier and cable positioning quicker. Versions up to 80x80x40mm dimensions are equipped with 23mm-diameter cable sleeve that fit 5, 8, 12, 16 or 20mm-diameter wires or pipes; on the contrary, versions up to 100x100x50mm dimensions are provided with 29mm-diameter cable sleeve that fit 5, 12, 16, 20 and 25mm diameters. The cable sleeve completely fit the pipe/wire in a reliable way.



EXTERNAL FIXING SYSTEM

Connecting boxes above 100x100x50mm dimensions can also be wall mounted by four fixing slots featured outside the cabling area to avoid piercing the box.

INSULATING CAPS

All versions are provided with caps to provide total insulation.



CLOSING

The cover is available either as a pressure-type for the small boxes or closed with four 1/4 - turn screws for the larger boxes. The 1/4 - turn screw versions feature 0-1 markings indicating Open-close.

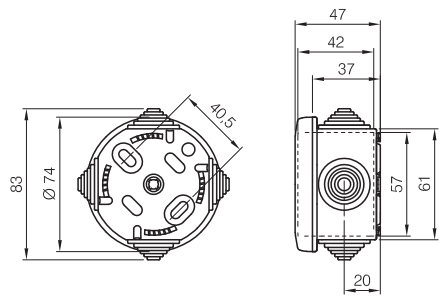


CAPTIVE COVER

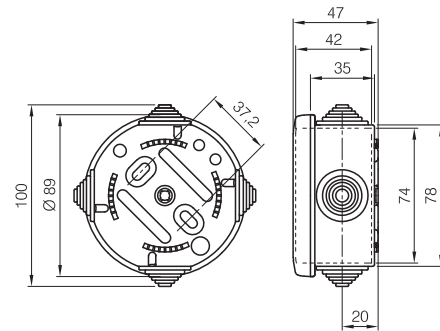
This cover has been designed for all versions with a support cable to retain the cover.

> DIMENSIONS

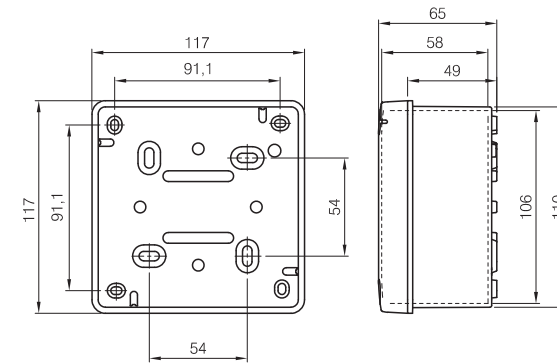
COD. 687.001 - 688.001



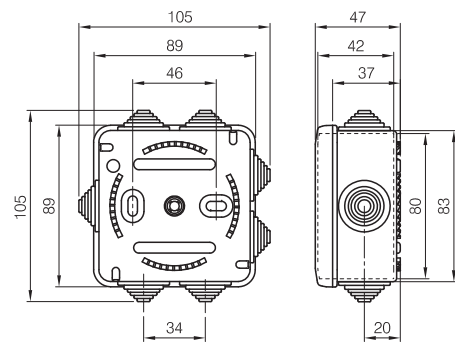
COD. 687.002 - 688.002



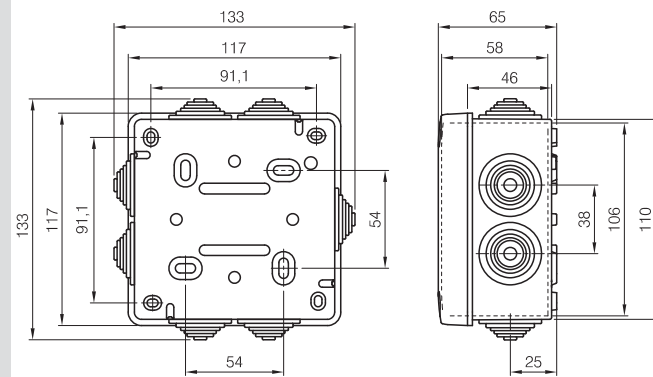
COD. 687.204 - 688.204 - 688.204.R



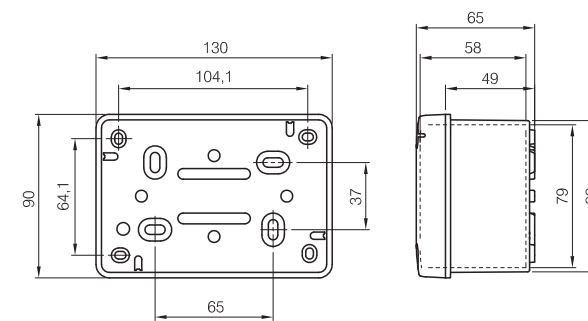
COD. 687.003 - 688.003 - 688.003R



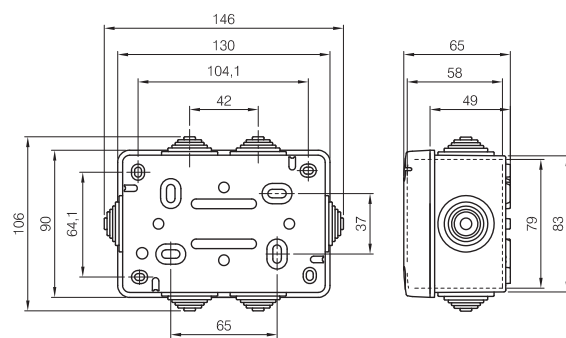
COD. 687.004 - 688.004 - 688.004.R



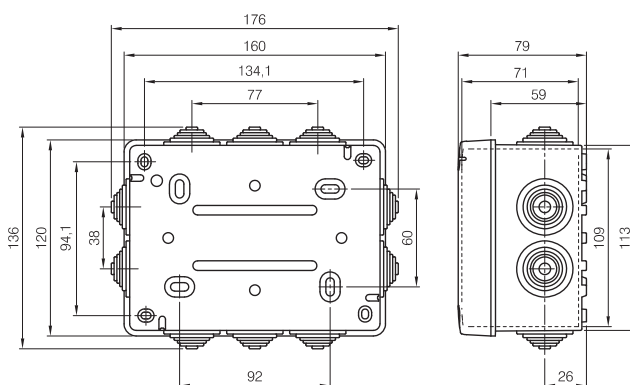
COD. 687.205 - 688.205 - 688.205.R



COD. 687.005 - 688.005 - 688.005.R

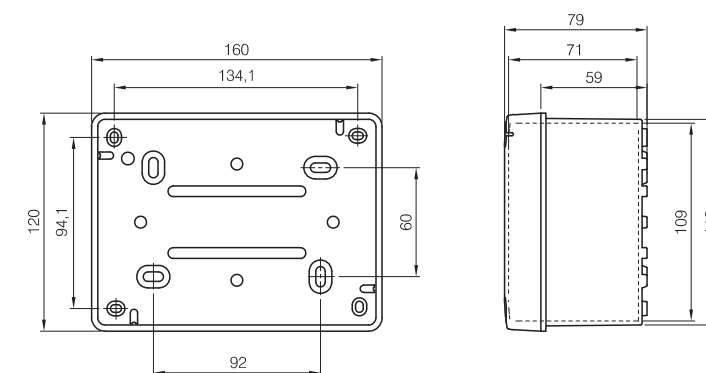


COD. 687.006 - 688.006



(Dimension in mm)

COD. 687.206 - 688.206



(Dimension in mm)