

> ROTARY SWITCHES



> VERSIONS

-  Switching units
- Front panel mounting
- Box mounting
-  Switching units with fuses carrier
- Box mounting
-  Front operators 67x67 - IP65
- Front panel mounting
- Box mounting
-  Front operators 48x48 - IP65
- Front panel mounting
- Box mounting
-  Front operators 48x48 - IP65 padlocable
- Front panel mounting
- Box mounting
-  Front operators 70x87
- Front panel mounting
-  Direct operators
-  Controls for DIN rail slits

> REFERENCE STANDARDS

EN 60947-3
Low voltage switchgear and controlgear
*Part 3: switches disconnectors, switch-disconnectors
and fuse-combination unit*

UL 508
Industrial control equipment

> QUALITY MARKS



> TECHNICAL CHARACTERISTICS

Polarity:	2P - 3P - 4P
Rated current:	16A - 32A - 40A - 63A - 80A - 100A
Rated voltage:	0÷690Vac - 0-400Vdc
Frequency:	50-60Hz
Insulating voltage:	690Vac - 400Vdc
Protection degree:	IP65 (front operator)
Operating temperature according to the reference standard:	-25°C+40°C
Max. operating temperature:	60°C
Glow Wire test:	850°C
Material:	Engineering plastic
Fuse:	10,3x38
DIN rail fixing:	Yes
Front panel fixing:	Yes
Connectable auxiliary contacts:	Yes (16A - 32A - 40A switches)

> BEHAVIOUR WITH CHEMICAL AND ATMOSPHERIC AGENTS

Saline solution	Acids		Bases		Solvents				Mineral oil	UV rays
	Concentrated	Diluted	Concentrated	Diluted	Hexane	Benzol	Acetone	Alcohol		
Resistant	Limited Resistance	Resistant	Resistant	Resistant	Not Resistant	Not Resistant	Not Resistant	Limited Resistance	Resistant	Resistant

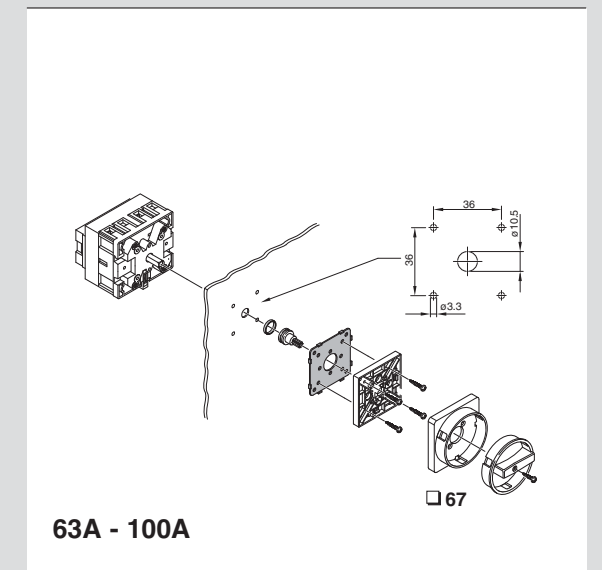
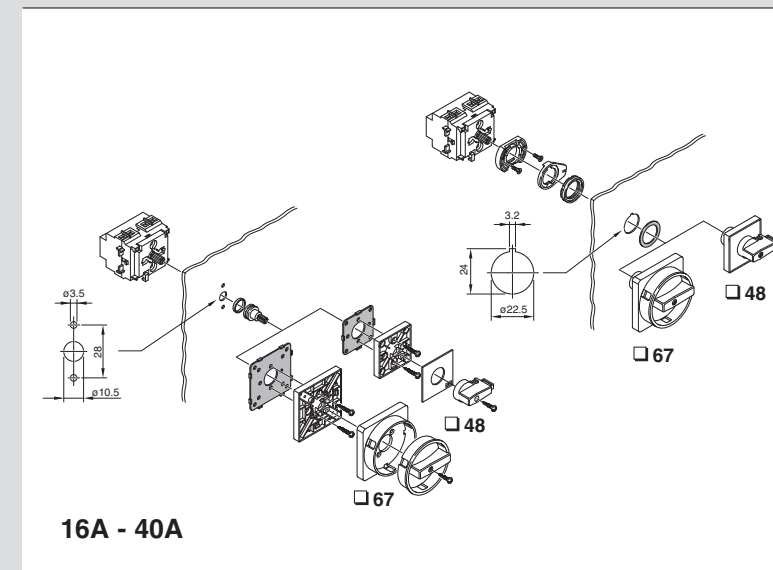
> APPLICATION EXAMPLES



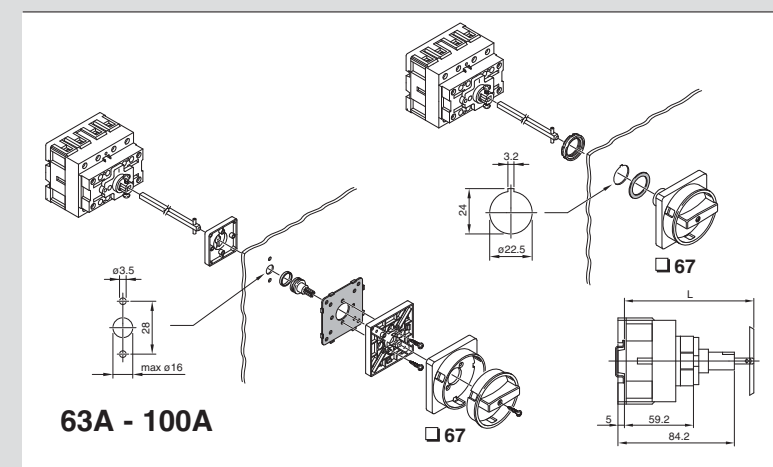
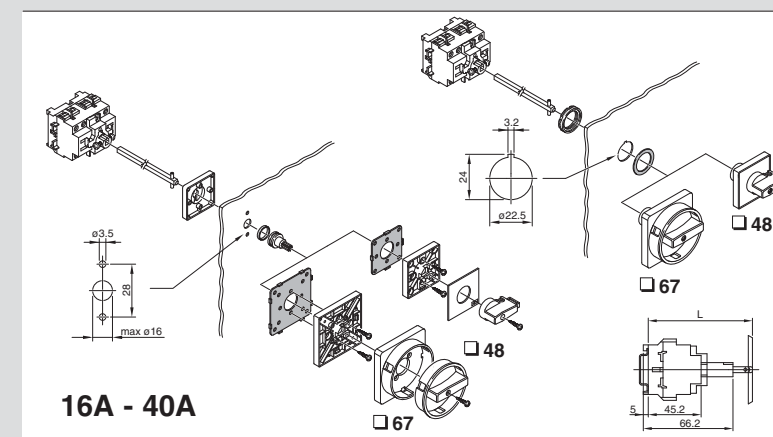
> TECHNICAL DATA SWITCH DISCONNECTORS

		with fuse		without fuse								
		16A	32A	16A	32A	40A	63A	80A	100A	125A	160A	
		YF16	YF32									
Rated insulation voltage U_i	V_{AC}	690	690	690	690	690	690	690	690	750	750	
	V_{DC}	400	400	400	400	400	-	-	-	750	750	
Rated impulse withstand voltage U_{imp}	kV	4	4	4	4	4	8	8	8	8	12	
Thermal current I_{th}	A	25	32	30	40	40	63	86	100	125	200	
Thermal current I_{the}	A	25	32	30	40	40	63	86	86	125	160	
Nominal current rating	AC21A Resistive loads, including moderate overloads	400V	-	-	-	40	-	-	-	-	-	
		500V	-	-	-	-	-	-	-	-	-	
		690V	25	32	30	32	-	63	80	100	125	160
	AC22A Mixed resistive and inductive loads, including moderate overloads	400V	-	-	-	-	40	-	-	-	-	
		500V	-	-	-	-	-	-	-	-	-	
		690V	30	32	20	32	-	63	80	86	125	160
	AC23A Switching off motor loads or other highly inductive loads (3 phase / 3 pole)	400V	-	-	20	32	35	63	67	67	90	135
		500V	-	-	-	-	-	40	67	67	70	125
		690V	16	25	16	25	25	30	38	38	50	80
	AC3 Squirrel-cage motor: starting, switching off motor during running (3 phase / 3 pole)	400V	-	28,5	-	28,5	28,5	40	55	55	-	-
690V		12	20	12	20	20	25	32	32	-	-	
DC21A Resistive loads, including moderate overloads	300V	A	25	32	20	32	32	-	-	125 (220V)	160 (220V)	
DC22A Mixed resistive and inductive loads, including moderate overloads	250V	A	20	32	25	32	32	-	-	80 (220V)	160 (220V)	
Rated short-time withstand current I_{cw} (1s)	A	400	400	400	400	400	1500	1500	1500	2500	4000	
Short-circuit protection:	Conditional short-circuit current	kA _{eff}	10	10	10	10	10	10	10	10	12	25
	Associate fuse size for conditional short-circuit current - Type gG	A	16	32	16	32	40	63	80	-	100	200
	Rated short-circuit making capacity. I_{cm}	A	1500	1500	1500	1500	1500	2850	2850	2100	3600	12000
Permissible wire gauge:	Flexible wire	mm ²	1,5-10	1,5-10	1,5 - 10	1,5 - 10	1,5 - 10	10-35	10-35	10-35	10-70	10-70
		AWG	16-8	16-8	16 - 8	16 - 8	16 - 8	10-2	10-2	10-2	-	-
Flexible wire	mm ²	1,5-16	1,5-16	1,5 - 16	1,5 - 16	1,5 - 16	10-35	10-35	10-35	-	-	
	AWG	16-8	16-8	16-8	16-8	16-8	10-2	10-2	10-2	-	-	

> FRONT PANEL MOUNTING - R TYPE



> BOX MOUNTING - B TYPE



	590.YMA085	590.YMA185	590.YMA300
L max	120mm	220mm	335mm

Note: L min 80mm

	590.YMB085	590.YMB185	590.YMB300
L max	128mm	228mm	343mm

Note: L min 98mm