

## > DISTRIBUTION ASSEMBLIES



## > VERSIONS

- 

**BLOCK 1** (110x280x95mm)  
- Portable or surface mounting empty units.
- 

**BLOCK 3** (136x440x114mm)  
- Surface mounting  
- Panel mounting  
- Mobile on appropriate stand  
- Portable with cable and plug
- 

**BLOCK 4** (212x415x114mm)  
- Surface mounting  
- Panel mounting  
- Mobile on appropriate stand  
- Portable with cable and plug

## > REFERENCE STANDARDS

- CEI 23-49**  
Enclosure for accessories for household and similar fixed electrical installations.  
*Part 2: particular requirements for enclosures for protection devices and accessories dissipating a considerable power in normal use*
- EN 60670-1**  
Boxes and enclosures for electrical accessories for household and similar fixed electrical installations.  
*Part 1: general requirements*
- EN 60439-1**  
Low voltage switchgear and control gear assemblies  
*Part 1: type-tested and partially type-tested assemblies*
- EN 60439-4**  
Low voltage switchgear and control gear assemblies  
*Part 4: Particular requirements for assemblies for construction sites (ACS)*

## > QUALITY MARKS



## > TECHNICAL CHARACTERISTICS

Rated current:	<b>IP44 - IP66</b>
Operating temperature according to the reference standard:	<b>-25°C+35°C</b>
Max. operating temperature:	<b>60°C</b>
Glow Wire test:	<b>650°C</b>
Material:	<b>Engineering plastic</b>
IK degree at 20°C:	<b>IK08</b>
Cable inlet:	<b>PG13,5 - PG21</b>
Total insulation <input type="checkbox"/>	<b>Yes</b>
Dissipable power according to CEI 23-49 standard:	<b>8-14W</b>
Colour:	<b>Grey RAL 7035</b>

## > BEHAVIOUR WITH CHEMICAL AND ATMOSPHERIC AGENTS

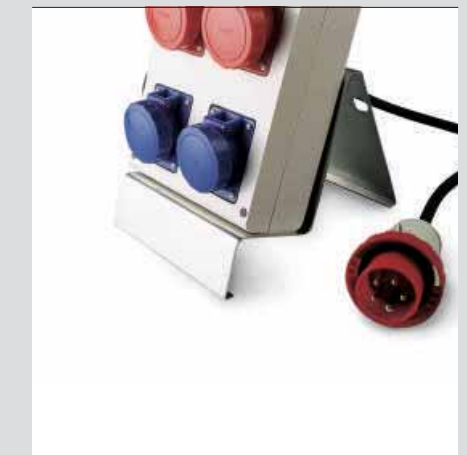
Saline solution	Acids		Bases		Solvents				Mineral oil	UV rays
	Concentrated	Diluted	Concentrated	Diluted	Hexane	Benzol	Acetone	Alcohol		
Resistant	Limited Resistance	Resistant	Limited Resistance	Resistant	Not Resistant	Not Resistant	Not Resistant	Limited Resistance	Resistant	Resistant



BLOCK 3 Series

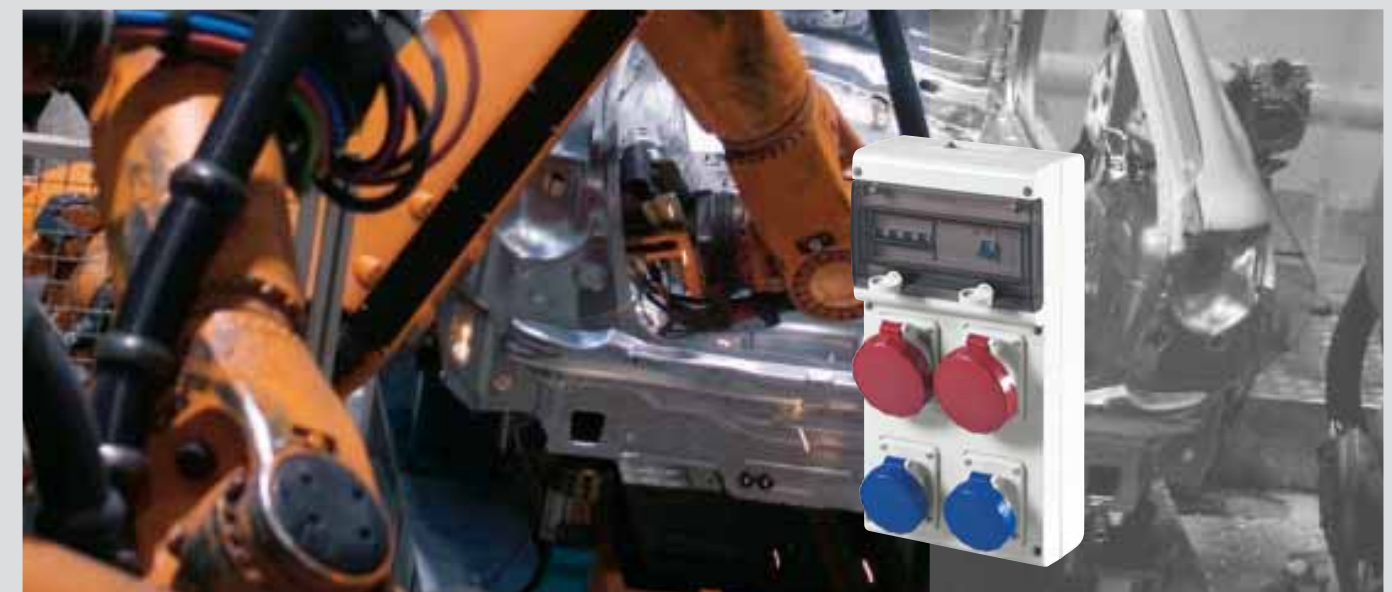


BLOCK 4: built-in foldaway handle.

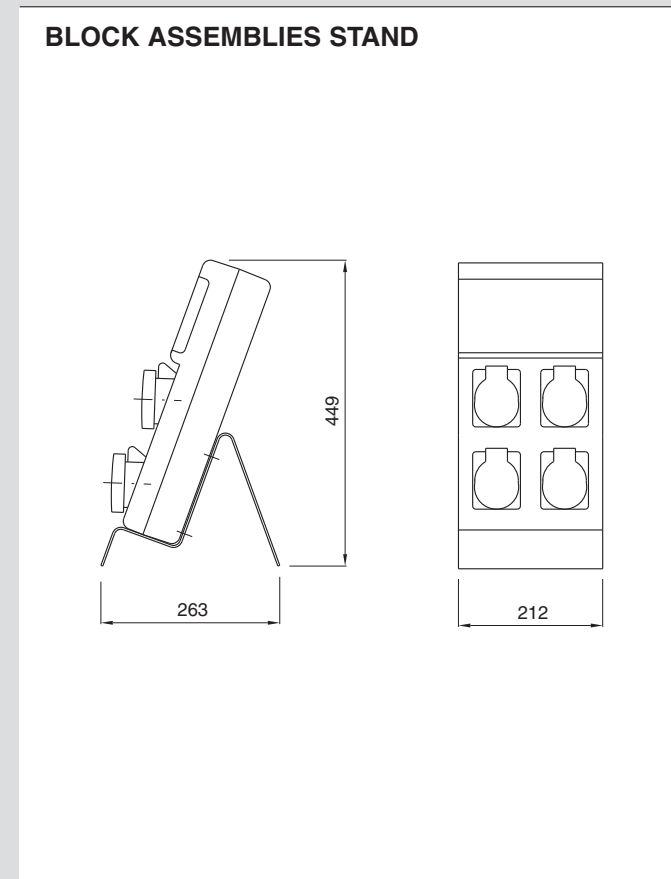
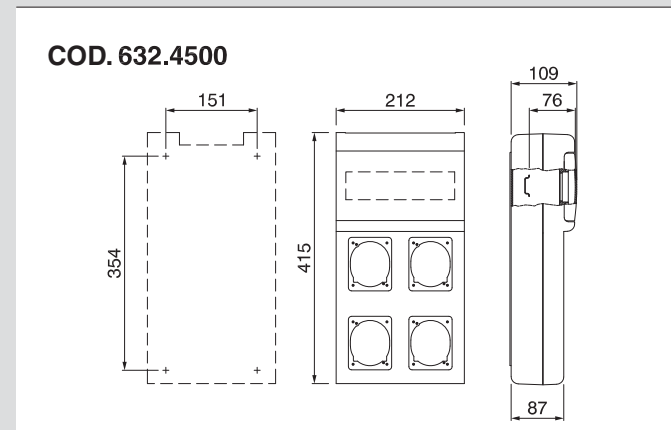
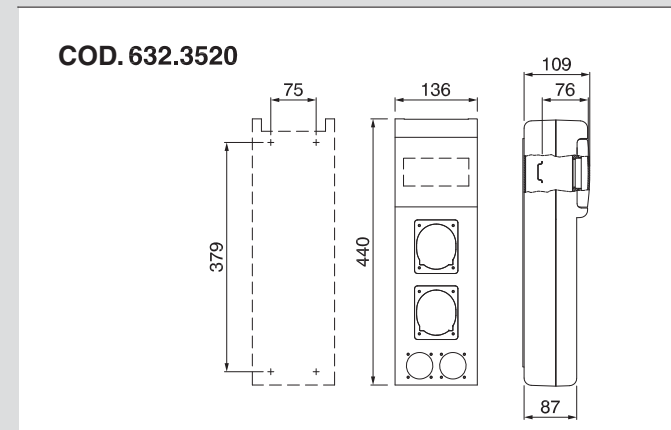
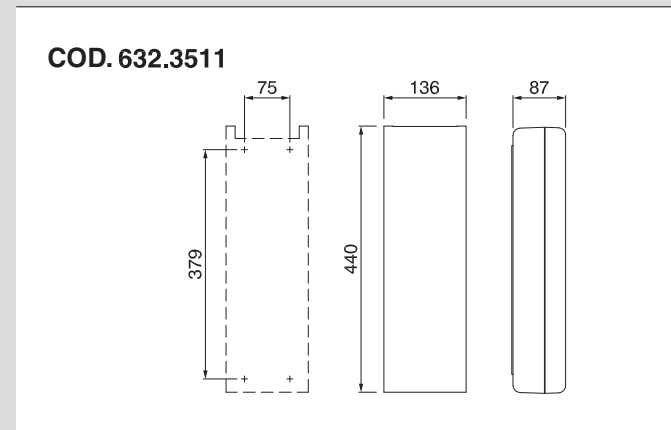
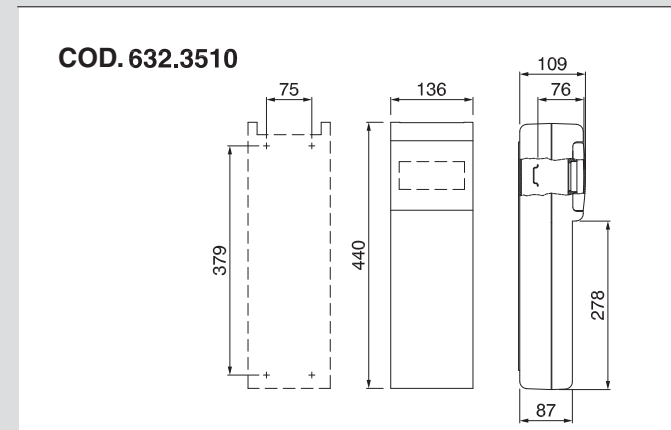
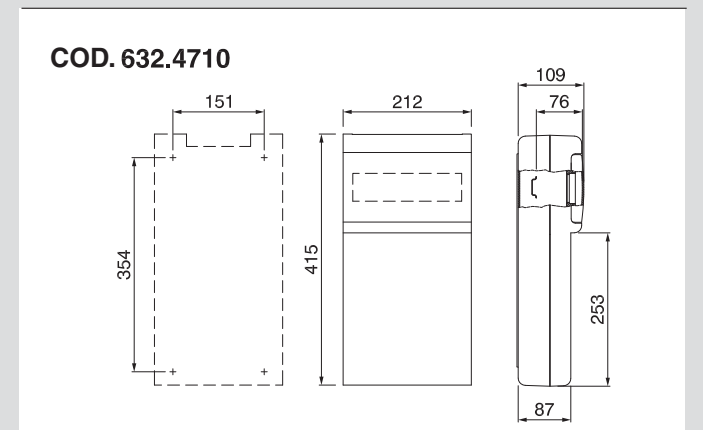
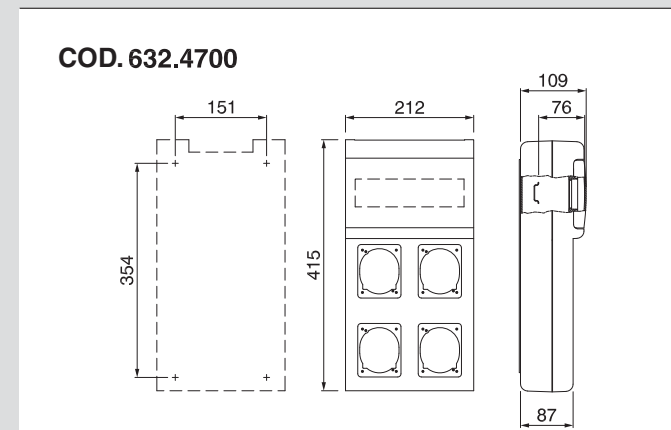
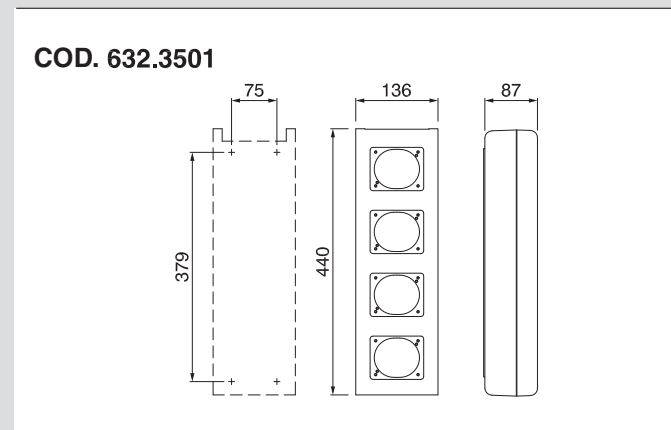
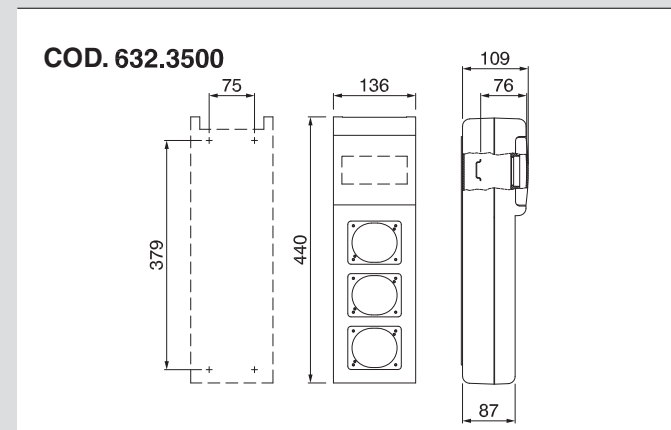
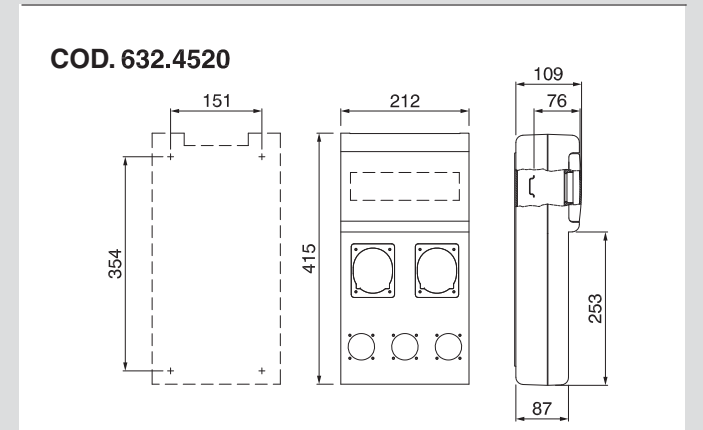
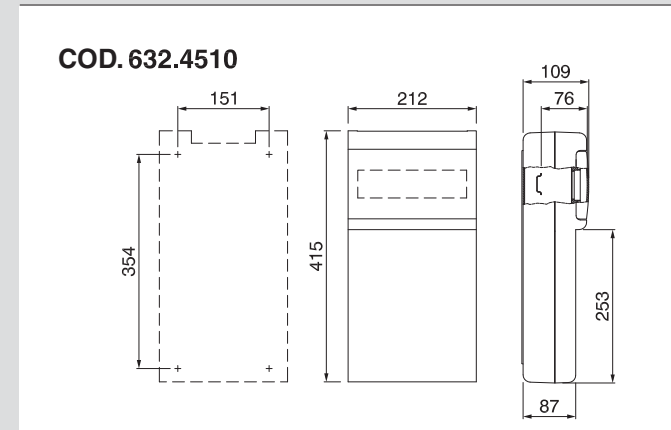
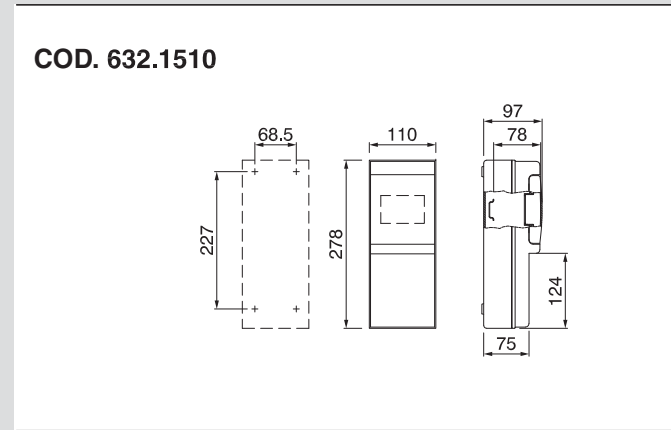
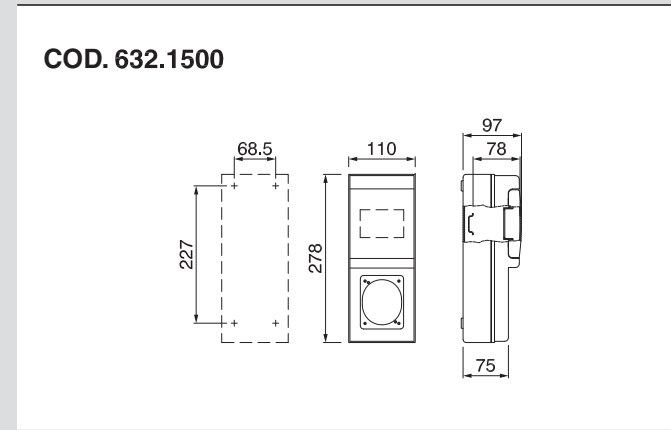


BLOCK 4: Metal stand.

## > APPLICATION EXAMPLES



> DIMENSIONS



(Dimension in mm)

(Dimension in mm)