




> INTERLOCKED SWITCH SOCKET OUTLETS



> VERSIONS

-  Version with safety transformer compact (module 106)
SELV transformer 230/24V
-  Version with safety transformer large (module 136)
SELV transformer 230/24V
-  Version with RAIL DIN 6 modules compact (module 106)

> REFERENCE STANDARDS

EN 60309-1
Plugs, socket outlets and couples for industrial purposes
Part 1: general requirements

EN 60309-2
Plugs, socket outlets and couples for industrial purposes
Part 2: dimensional interchangeability requirements for pin and contact-tube accessories of harmonised configurations

> QUALITY MARKS



> TECHNICAL CHARACTERISTICS

Rated current:	16A - 32A
Rated voltage:	20÷50V~
Frequency:	c.c. - 50÷60Hz
SELV transformer 220/24V:	150VA
Insulating voltage:	500/690V~
Protection degree:	IP44 - IP66/IP67
Operating temperature according to the reference standard:	-25°C+40°C
Max operating temperature:	60°C
Glow Wire test:	650°C/850°C
Material:	Engineering plastic
IK degree at 20°C:	IK07
Cable inlets:	Metric
Fuse-carriers:	gG 10,3x38mm
Colour:	Standard socket Grey RAL 7035 front side and smoke-grey plate Heavy duty socket Blue RAL 5015 front side and dark Grey RAL 7004 body

> BEHAVIOUR WITH CHEMICAL AND ATMOSPHERIC AGENTS - STANDARD SOCKET

Saline solution	Acids		Bases		Solvents				Mineral oil	UV rays
	Concentrated	Diluted	Concentrated	Diluted	Hexane	Benzol	Acetone	Alcohol		
Resistant	Limited Resistance	Resistant	Limited Resistance	Resistant	Not Resistant	Not Resistant	Not Resistant	Limited Resistance	Resistant	Resistant

> BEHAVIOUR WITH CHEMICAL AND ATMOSPHERIC AGENTS - HD SOCKET

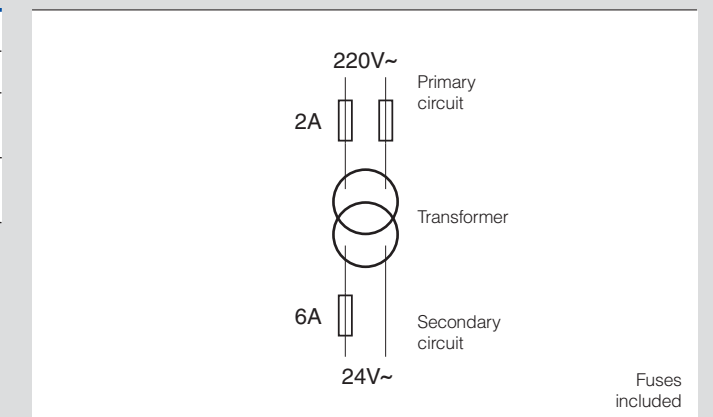
Saline solution	Acids		Bases		Solvents				Mineral oil	UV rays
	Concentrated	Diluted	Concentrated	Diluted	Hexane	Benzol	Acetone	Alcohol		
Resistant	Limited Resistance	Resistant	Limited Resistance	Resistant	Resistant	Limited Resistance	Not Resistant	Resistant	Resistant	Resistant

> WIRING AND INSTALLATION

Wiring capacity of the terminals (mm²)

Rated current (A)	Socket outlets	
	Min	Max
16A	4	4
32A	4	10

> PROTECTIONS FOR THE VERSION WITH TRANSFORMER

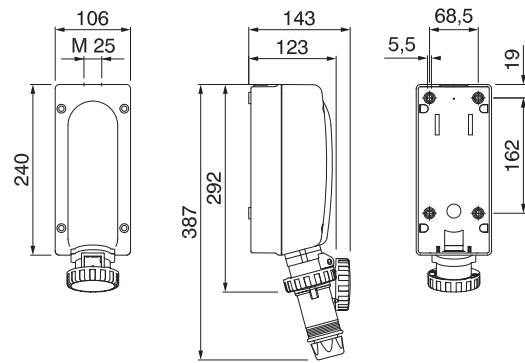


> APPLICATION EXAMPLES

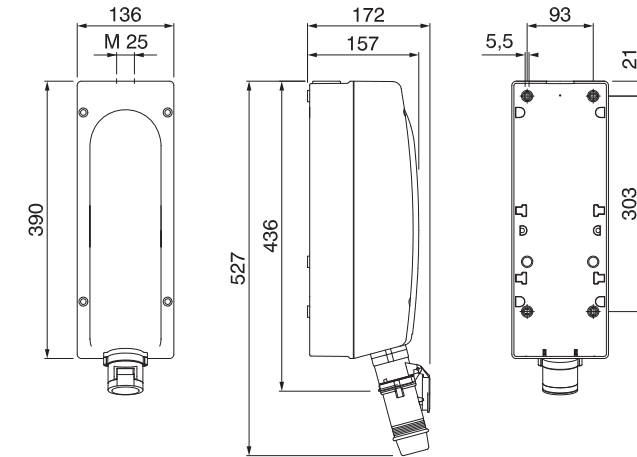


> DIMENSIONS

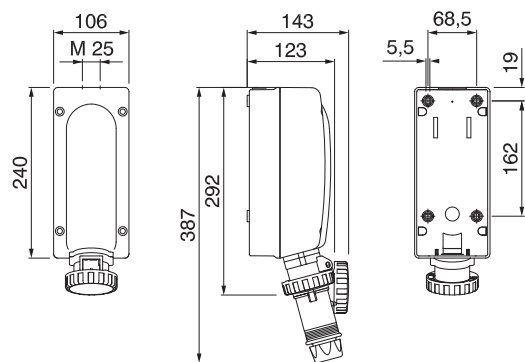
COMPACT VERSION - IP44



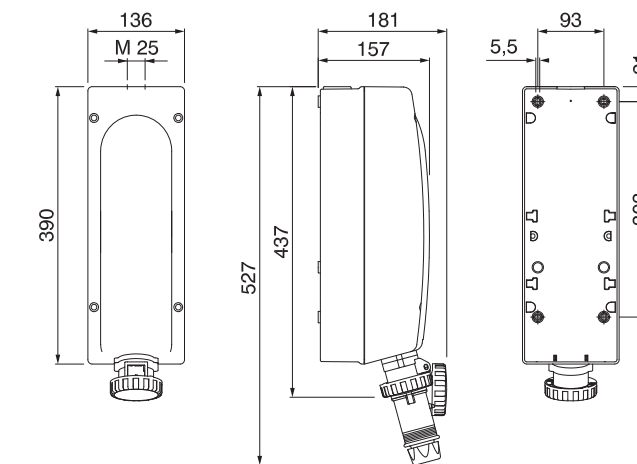
LARGE VERSION - IP44



COMPACT VERSION - IP66/IP67



LARGE VERSION - IP66/IP67



(Dimension in mm)

(Dimension in mm)