

> INDUSTRIAL ADAPTORS



> VERSIONS

	One-way adaptors
	2-way adaptors with interlocked-switch socket outlets
	2-way adaptors
	3/5-way adaptors
	3-way adaptors with protection devices
	4-way adaptors

> AVAILABLE STANDARDS

	Italian socket (P17/11) 2P+E 16A 250V~ CEI 23-50	Shuttered socket
	Italian socket (P30) 2P+E 16A 250V~ CEI 23-50	Shuttered socket
	German socket 2P+E 16A 250V~ DIN VDE 0620	Unshuttered socket
	French standard socket 2P+E 16A 250V~ NFC 61-314	Shuttered socket
	British standard socket 2P+E 13A 250V~ BS 1363	Shuttered socket
	British standard socket 2P+E 15A 250V~ BS 546	Shuttered socket
	Argentinian standard socket 2P+E 10A 250V~ IRAM 2071	Unshuttered socket
	Argentinian standard socket 2P+E 20A 250V~ IRAM 2071	Unshuttered socket

> QUALITY MARKS



> TECHNICAL CHARACTERISTICS

Rated current:	16A - 32A
Frequency:	50Hz
Insulating voltage:	500/690V~
Protection degree:	IP20 - IP40 - IP44 - IP66
Operating temperature according to the reference standard:	-25°C+40°C
Max. operating temperature:	60°C
Glow Wire test:	650°C - 750°C - 850°C
Material:	Engineering plastic
IK degree at 20°C:	IK06 - IK09

> BEHAVIOUR WITH CHEMICAL AND ATMOSPHERIC AGENTS

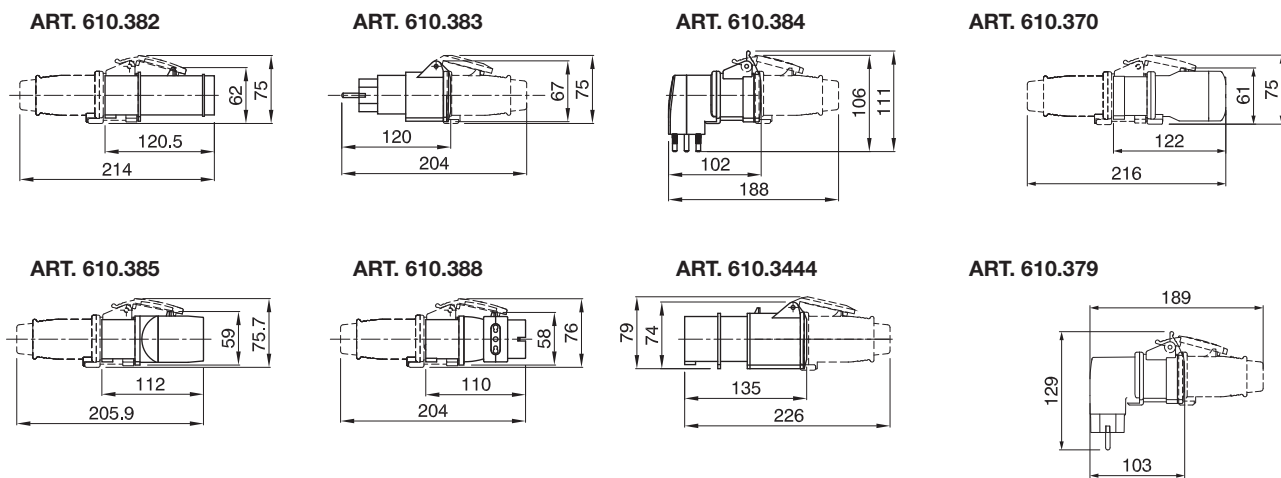
Saline solution	Acids		Bases		Solvents				Mineral oil	UV rays
	Concentrated	Diluted	Concentrated	Diluted	Hexane	Benzol	Acetone	Alcohol		
Resistant	Not Resistant	Not Resistant	Limited Resistance	Resistant	Not Resistant	Not Resistant	Not Resistant	Limited Resistance	Resistant	Resistant

> APPLICATION EXAMPLES



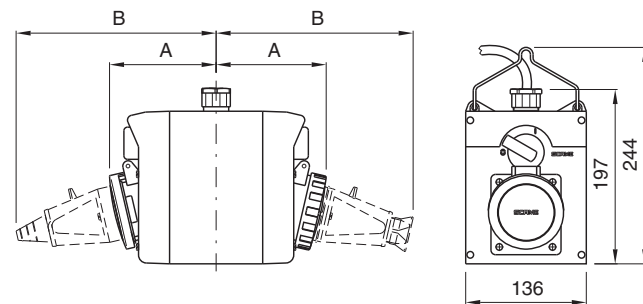
> DIMENSIONS

ONE-WAY ADAPTORS



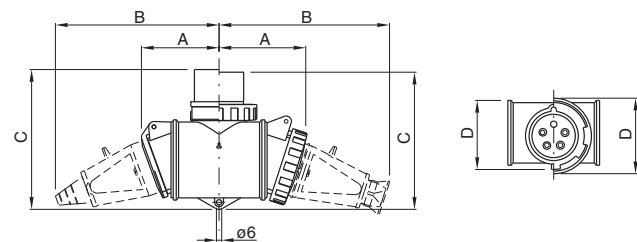
2-WAY ADAPTORS WITH INTERLOCKED SWITCH SOCKET OUTLETS

16A	A	B	32A	A	B
2P+E IP44	12	209	2P+E IP44	130	244
2P+E IP66	126	218	2P+E IP66	133	243
3P+E IP44	122	216	3P+E IP44	130	244
3P+E IP66	126	225	3P+E IP66	133	243
3P+N+E IP44	122	223	3P+N+E IP44	130	250
3P+N+E IP66			3P+N+E IP66	133	250



2-WAY ADAPTORS

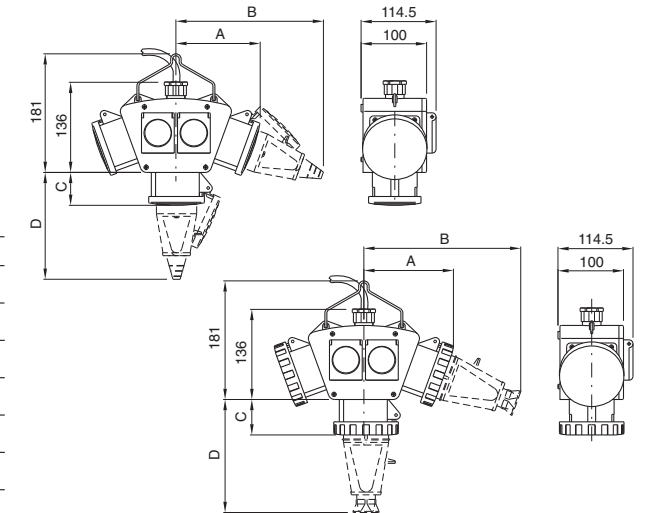
	A	B	C	D
2P+E IP44	91	174	159	76
2P+E IP66	101	187	156	82
3P+E IP44	91	178	159	78
3P+E IP66	101	196	156	82
3P+N+E IP44	89	193	159	79
3P+N+E IP66	101	199	156	86



(Dimension in mm)

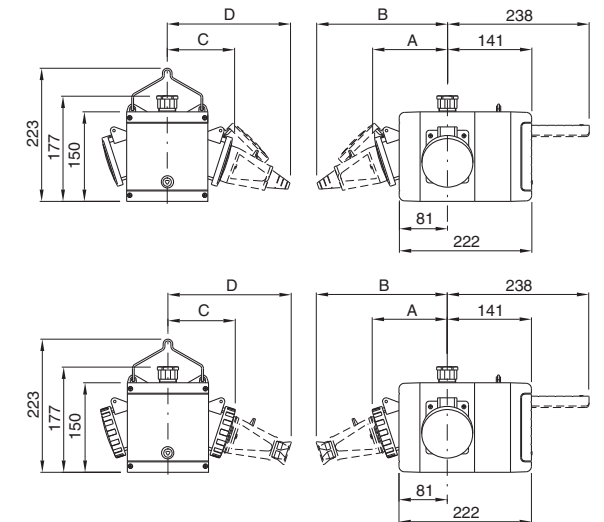
3/5-WAY ADAPTORS

	16A				16A			
	A	B	C	D	A	B	C	D
2P+E IP44	120	200	45	137	130	232	55	174
2P+E IP66	123	205	46	141	136	230	56	163
3P+E IP44	120	203	45	141	130	232	55	174
3P+E IP66	124	215	46	151	136	230	56	163
3P+N+E IP44	120	223	45	160	130	240	55	181
3P+N+E IP66	126	220	46	154	138	240	56	171



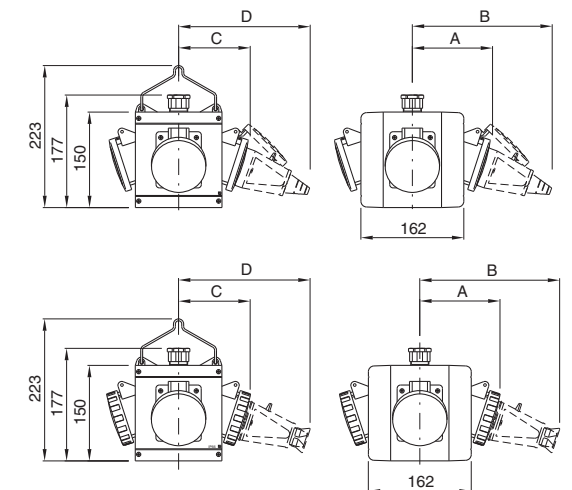
3-WAY ADAPTORS WITH PROTECTION DEVICES

	16A				16A			
	A	B	C	D	A	B	C	D
2P+E IP44	181	201	106	189	127	235	/	/
2P+E IP66	127	213	115	201	132	230	/	/
3P+E IP44	118	205	106	193	127	235	/	/
3P+E IP66	127	222	115	210	132	230	/	/
3P+N+E IP44	116	220	104	208	135	250	/	/
3P+N+E IP66	127	225	115	213	132	236	/	/



4-WAY ADAPTORS

	16A				16A			
	A	B	C	D	A	B	C	D
2P+E IP44	118	201	106	189	127	235	/	/
2P+E IP66	127	213	115	201	132	230	/	/
3P+E IP44	118	205	106	193	127	235	/	/
3P+E IP66	127	222	115	210	132	230	/	/
3P+N+E IP44	116	220	104	208	135	250	/	/
3P+N+E IP66	127	225	115	213	132	236	/	/



(Dimension in mm)