



Pin & Sleeve **EUREKA-HD Series**

Non metallic
Back Box enclosures

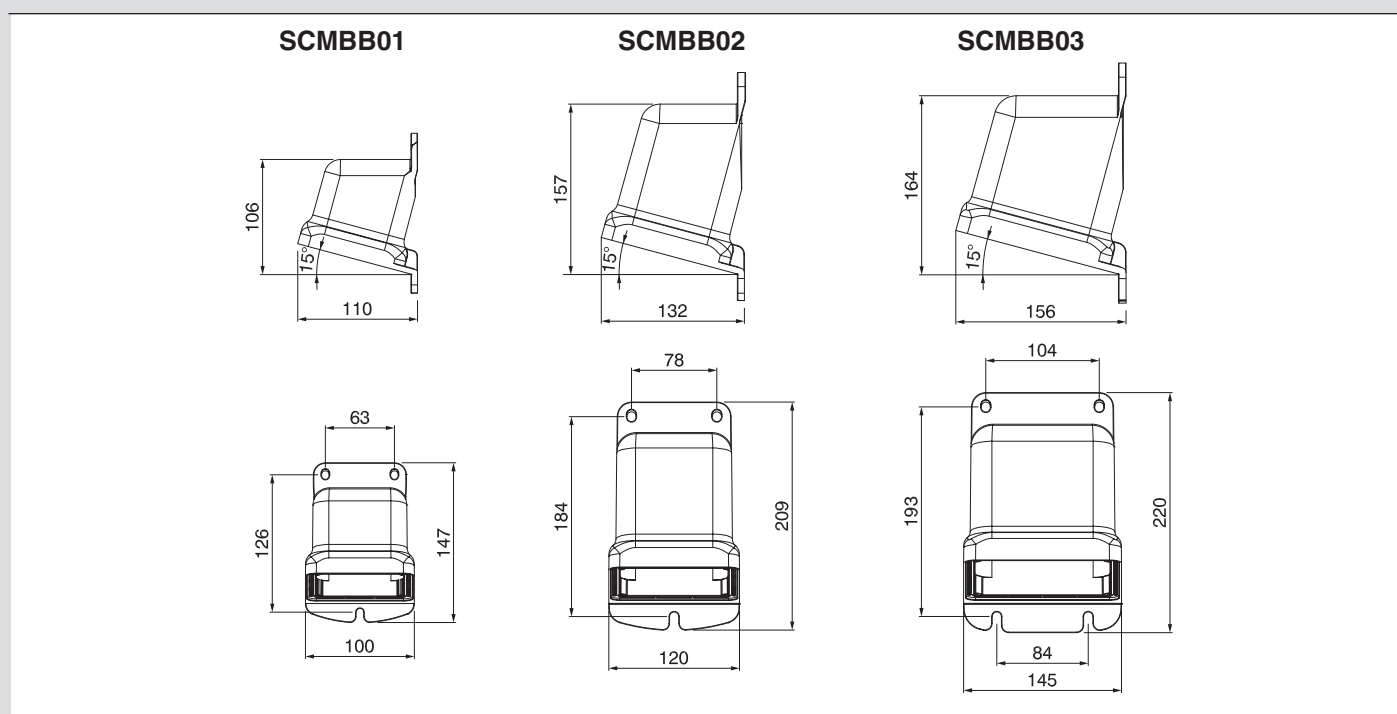
Pin & Sleeve EUREKA-HD Series - Non metallic Back Box

> TECHNICAL CHARACTERISTICS

Protection degree (IEC 60529):	IP66/IP67
Operating temperature:	-25°C +40°C
Max. operating temperature:	+70°C
Self-extinguishing (IEC 60695-2-1):	Glow wire test 850°C
Self-extinguishing (UL94):	V2 (3,2mm)
Chemical resistance:	resists standard industrial hydrocarbons, acids, bases and solvents

Material:	- Housing: polyamide 6
	- Gasket: solid neoprene
	- Screws: stainless steel
	- Grounding Plate: zinc plated steel
IK degree at 20°C (EN 50102):	10 (20J°)
UV resistance:	Thermoplastic material is UV stabilized

> DIMENSIONS



(Dimensions in mm)

> ORDERING INFORMATION

Description	HUB size (Inch)	Receptacle	Inlets	Cubic Inch capacity	Packaging	
Size 1 (small)	1	16/20A - 32/30A	-	30	1/10	SCMBB01
Size 2 (medium)	1 ¼	63/60A	16/20A - 32/30A - 63/60A	75	1/10	SCMBB02
Size 3 (large)	1 ½	125/100A	125/100A	120	1/5	SCMBB03



Notes:
 - Internal grounding plate provided
 - HUB is not included

ZP00599-AGG-2



8 001636 409498

SCAME PARRE S.p.A.
 VIA COSTA ERTA, 15
 24020 PARRE (BG) ITALY
 TEL. +39 035 705000
 FAX +39 035 703122



www.scame.com
 export@scame.com