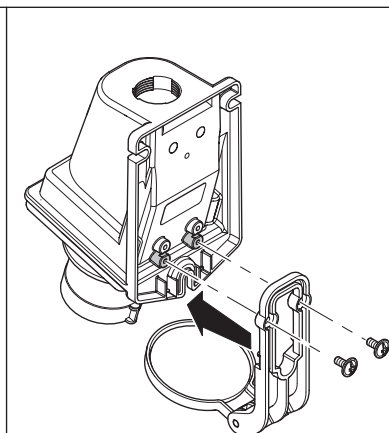
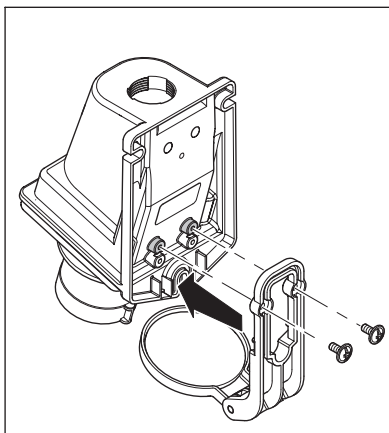
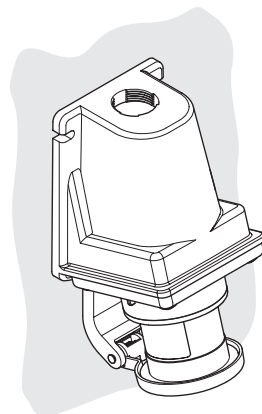


TAPPO PER SPINE FISSE DA PARETE  
 COVER FOR SURFACE MOUNTING APPLIANCE INLET  
 BOUCHON POUR FICHES EN SAILLIE  
 TAPA PARA CLAVIJAS MURALES



<b>570.9001</b>	16A 2P+E - 16A 3P+E	-
<b>570.9002</b>	16A 3P+N+E	32A ALL

## InfoTECH

ITALY

Numero Verde

**800-018009**

WORLDWIDE

ScameOnLine

[www.scame.com](http://www.scame.com)

[infotech@scame.com](mailto:infotech@scame.com)