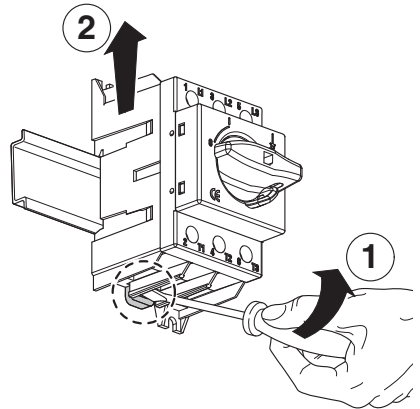
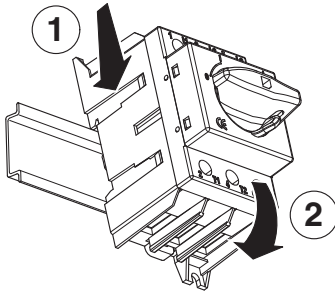


## SWITCH-DISCONNECTORS 15-40A 800VDC

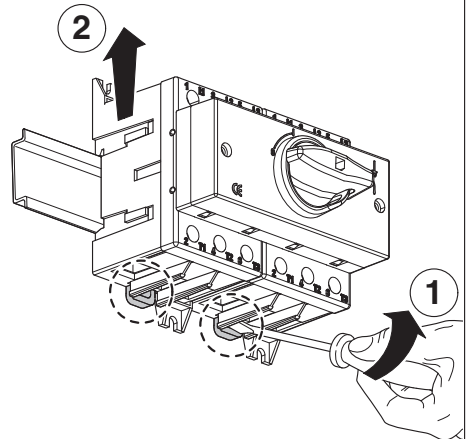
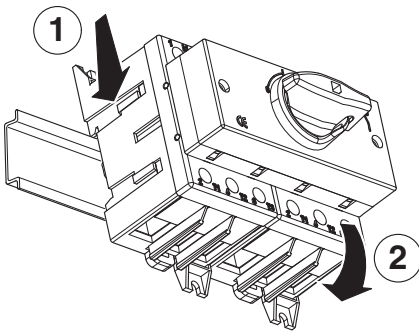
15-20A

4 and 5 poles in series



25-30 and 40A

6 and 8 poles in series



### InfoTECH

ITALY

WORLDWIDE

Numero Verde

800-018009

Scame OnLine

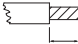
www.scame.com  
infotech@scame.com



### ATTENTION

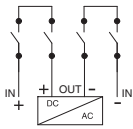
When mounting or removing additional elements the switch **has to be in OFF position** for avoiding damages to mechanism.

When removing main switch following instruction for avoiding damages.

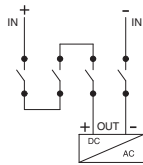
		15-30A	40A
Wire range		1.5÷16mm <sup>2</sup>	10-70mm <sup>2</sup>
Tightening torque	Terminal screws	2Nm	6Nm
	Fixing screws	1.2Nm	1.2Nm
Wire strip length		10mm	13mm

### 590.DCGE0815 (SINGLE STRING 2 POLES) - 4 CONTACTS IN SERIES (2+2) OR (3+1)

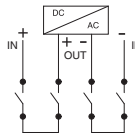
Provided pre-wired linking  
Bottom incoming  
and outgoing (2+2) series



Option 1  
Top incoming  
Bottom outgoing  
(3+1) series

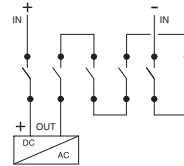


Option 2  
Top incoming  
and outgoing (2+2)  
series



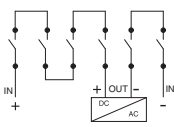
### 590.DCGE0820 (SINGLE STRING 2 POLES) - 5 CONTACTS IN SERIES (4+1)

Provided pre-wired linking  
Top incoming  
Bottom outgoing (4+1) series

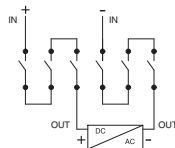


### 590.DCGE0825 (SINGLE STRING 2 POLES) - 6 CONTACTS IN SERIES (4+2) OR (3+3)

Provided pre-wired linking  
Bottom incoming  
and outgoing (4+2) series

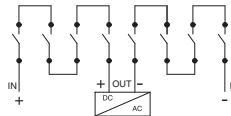


Option 1  
Top incoming  
Bottom outgoing (3+3) series



### 590.DCGE0830 - 590.DCGE0840 (SINGLE STRING 2 POLES) - 8 CONTACTS IN SERIES (4+4) OR (7+1)

Provided pre-wired  
Bottom incoming  
and outgoing (4+4) series



Option 1  
Top incoming  
Bottom outgoing (7+1) series

