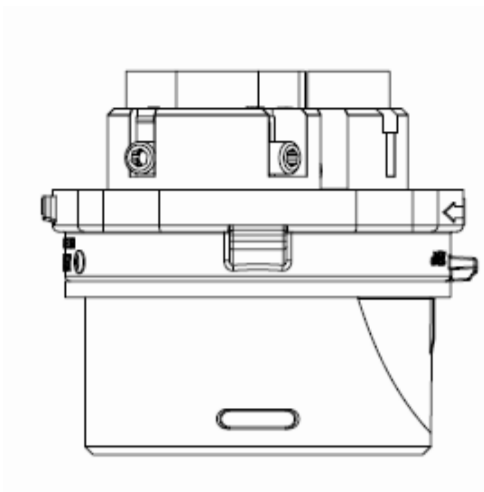
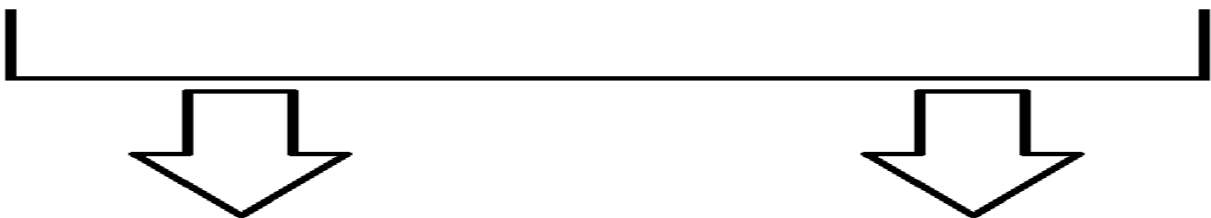
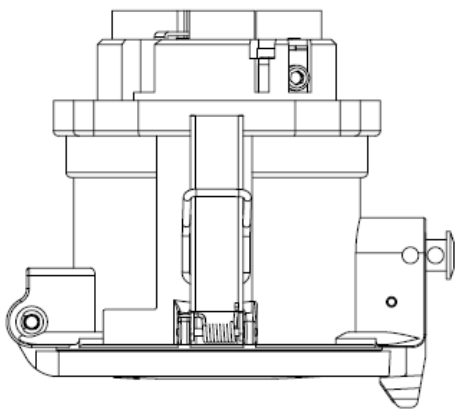




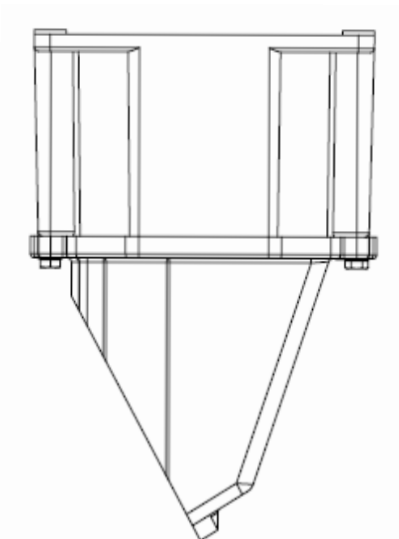
APPLIANCE INLET



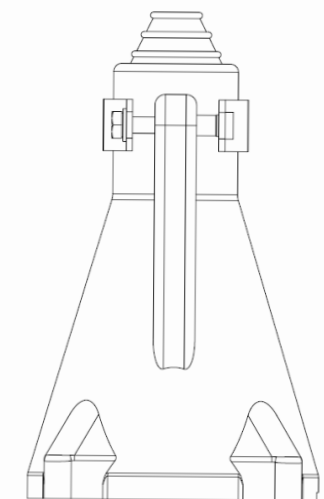
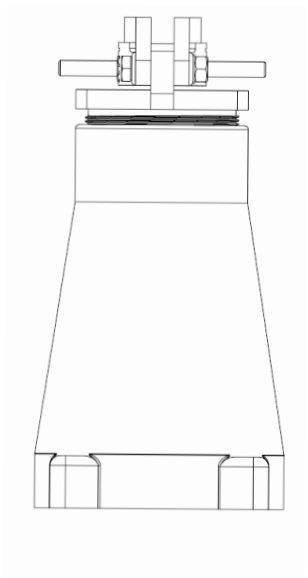
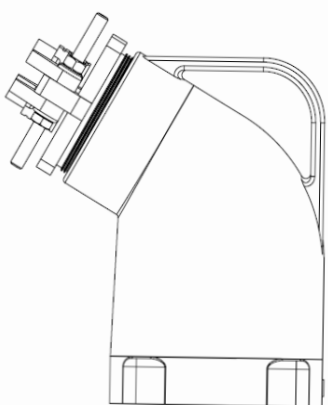
SOCKET



WALL AND SURFACE MOUNTING BOX



HANDLES



**SCAME**  
S.p.A.  
PARRE - (Bergamo)  
zp90982-10-1\_mp39370