

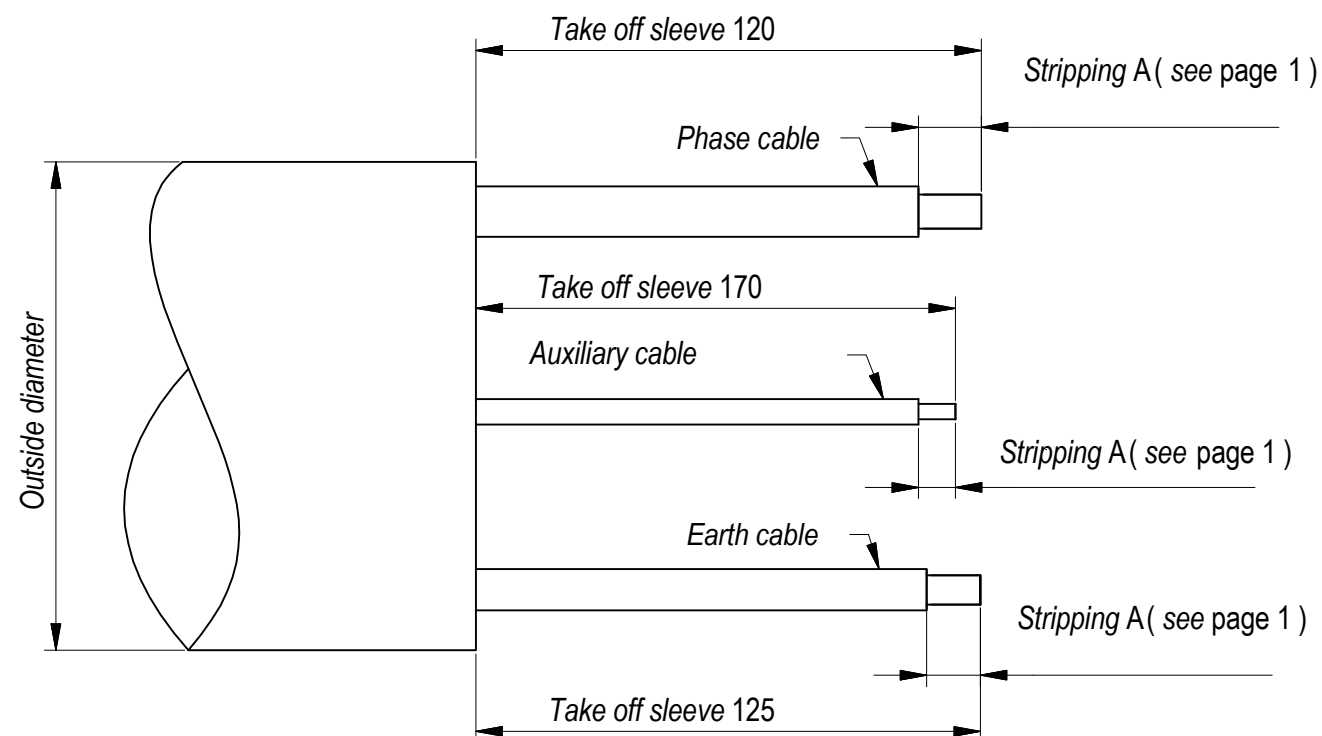
8	IP2X PHASE PIN CAL.10	12546-5000	3	
7	CABLE COUPLER CASING	31783-0000	1	
6	EARTH CABLE TERMINAL TO SCREW 50-70 ²	13286-5000		26
	EARTH CABLE TERMINAL TO CRIMP OR SOLDER 95	13361-0110		
	EARTH CABLE TERMINAL TO CRIMP OR SOLDER 70 ²	11325-0110		29
5	EARTH FEMALE CONTACT CAL.10	11251-5000	1	
4	PHASE CABLE TERMINAL TO SCREW 50-70 ²	13187-5000		26
	PHASE CABLE TERMINAL TO CRIMP OR SOLDER 95 ²	13090-0110		30
	PHASE CABLE TERMINAL TO CRIMP OR SOLDER 70 ²	11253-0110		29
3	3+E IP2X PIN MALE CONTACT CARRIER	20721-0000	1	
2	CABLE GLAND SEAL Ø54	11269-0000	1	
1	AUXILIARY FEMALE CONTACT CAL.6	11271-5000	2	19
Ind	Description	Reference	Cont.	Strip. A

ASSEMBLY INSTRUCTIONS

- 1- PREPARE THE CABLES AS SCHEME BELOW.
- 2- CRIMP OR SOLDER CABLE TERMINALS (4;6) ON PHASE CABLES AND EARTH CABLE [TOOL Nr 7 AND 8],
FOR CABLE TERMINALS TO SCREW [TOOL Nr 6].
- 3- UNSCREW HANDLE (7.1) [TOOL Nr 3] AND CABLE GLAND (7.3).
- 4- IN THE ORDER, SLIDE CABLE GLAND (7.3), WASHER (7.2), SEAL (2) AND HANDLE (7.1) OVER THE CABLE.
- 5- ENGAGE EARTH CONTACT (5) IN THE HOLE OF EARTH EAR IN THE MIDDLE OF CONNECTOR CASING (7).
- 6- PLACE CABLE TERMINAL (6) OF EARTH CABLE AT THE BACKSIDE OF EARTH CONTACT (5), SCREW CONTACT, WHEN CABLE TERMINAL HEXAGON TOUCH EARTH EAR OF CONNECTOR CASING (7), PUSH IT INSIDE OF EARTH EAR TO BLOCK IT, THEN TIGHTEN CONTACT (5) (TORQUE 4Nm) [TOOL Nr 1 AND 2].
- 7- REMOVE SCREWS OF CONTACTS (1) [TOOL Nr 5], INTRODUCE CONTACTS IN FRONT OF IP2X PIN MALE CONTACT CARRIER (3). INTRODUCE PILOT CABLES IN BACKSIDE OF CONTACTS AND PUT SCREW IN CONTACTS THEN TIGHTEN [TOOL Nr 5].
- 8- INTRODUCE EACH CABLE TERMINAL (4) AT THE BACKSIDE OF IP2X PIN MALE CONTACT CARRIER (3), HEXAGON OF CABLE TERMINAL MUST CORRESPOND WITH HEXAGON INSIDE OF THE IP2X PIN MALE CONTACT CARRIER, THEN SCREW CONTACTS (5) IN THE FRONT OF IP2X PIN MALE CONTACT CARRIER (TORQUE 4Nm) [TOOL Nr 1 AND 2].
- 9- INTRODUCE INSERT (3) IN SOCKET (7) AND FIX HANDLE (7.1) [TOOL Nr 3].
- 10- PLACE SEAL (2) AND WASHER (7.2) INTO HANDLE (7.1) THEN SCREW CABLE GLAND (7.3) TO BE WATERPROOF.
- 11- TIGHTEN SCREWS AND NUTS OF CABLE CLAMPS (7.4) ON CABLE TO BLOCK CABLE GLAND (7.3) [TOOL Nr 4].

LIST OF TOOLS *

- 1- TORQUE WRENCH FACOM REF. J.306A50
- 2- SOCKETS FACOM : J.12LA and J.14
- 3- ANGLED SOCKET WRENCH OR OPEN END WRENCH 8mm
- 4- ANGLED SOCKET WRENCH OR OPEN END WRENCH 13mm
- 5- FLAT SCREWDRIVER Nr3
- 6- ALLEN KEY Nr3
Nr4
- 7- CRIMPING TOOL KLAUKE HK 120 U
- 8- KLAUKE CRIMPING JAW: 70° REF: HNFF 13/70
95° REF: HNFF 13/95



* TOOL REFERENCES ARE ONLY RECOMMENDED AND GIVEN AS EXAMPLES. TOOLS ARE NOT PROVIDED OR IMPOSED BY SCAME.