

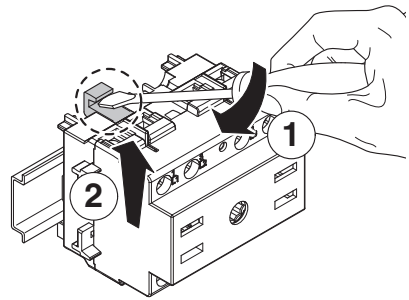
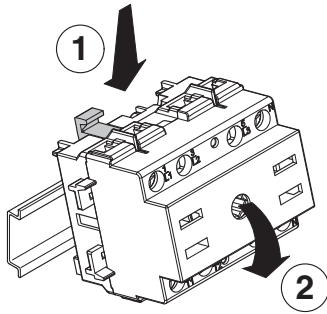
ENCLOSED SWITCH-DISCONNECTORS

20÷80A

2P-3P-3P+N-4P

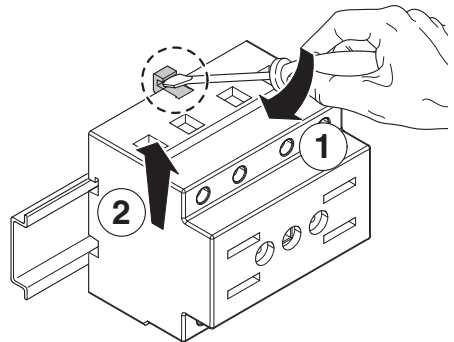
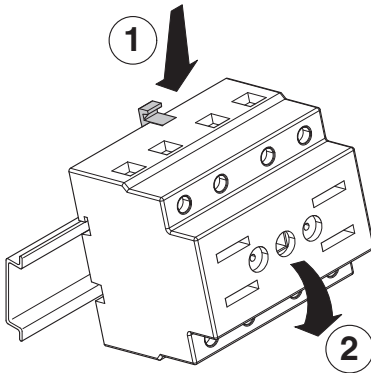
20÷40A

2P-3P-3P+N-4P



63÷80A

2P-3P-3P+N-4P



InfoTECH

ITALY

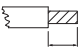
WORLDWIDE

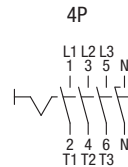
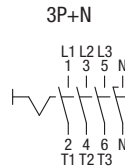
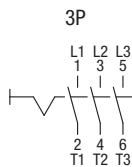
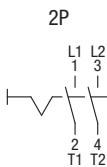
Numero Verde

800-018009

ScameOnLine

www.scame.com
infotech@scame.com

		20÷40A 2P-3P-3P+N-4P	63÷80A 2P-3P-3P+N-4P
Wire range		1.5÷10mm ²	10-35mm ²
Tightening torque	Terminal screws	0.8Nm	3.6Nm
	Fixing screws	1.2Nm	1.2Nm
Wire strip length		10mm	13mm



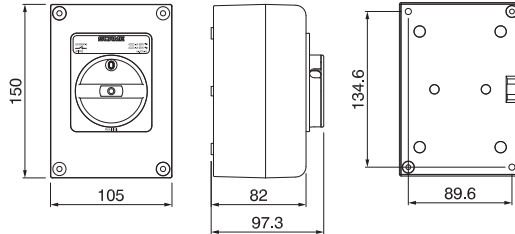
ATTENTION

When mounting or removing additional elements the switch **has to be in OFF position** for avoiding damages to mechanism.

When removing main switch following instruction for avoiding damages.

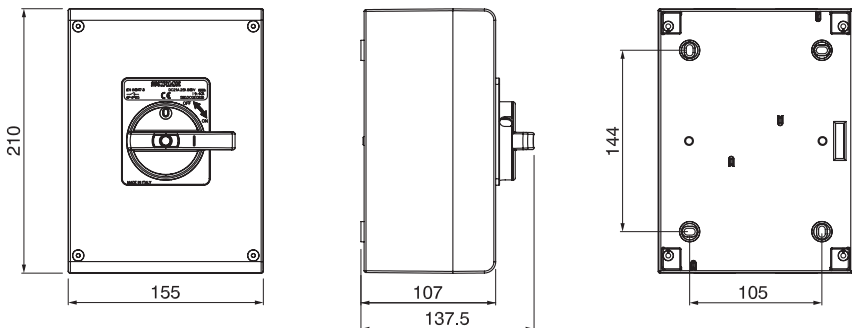
THERMOPLASTIC ENCLOSURES

20÷40A
2P-3P-3P+N-4P



Rated current (A)	Nr of poles	Enclosure dimensions	Cable entries		
			20-32-40	2-3-3P+N-4P	150x105x97
			Bottom	1xM20+1xM25	Knock-outs
			Rear	2xM20	Knock -outs

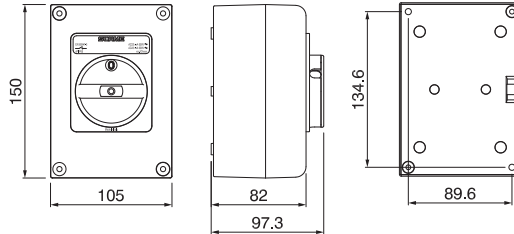
63-80A
2P-3P-3P+N-4P



Rated current (A)	Nr of poles	Enclosure dimensions	Cable entries		
			63-80	2-3-3P+N-4	210x155x107
			Bottom	2xM32	Knock-outs
			Rear	/	Blank side

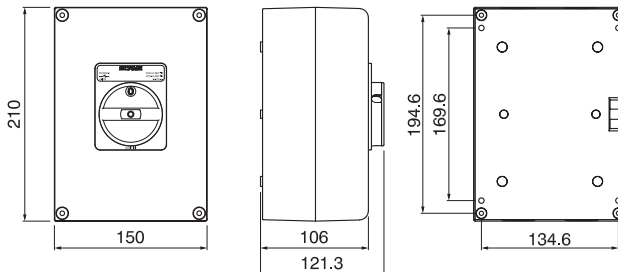
ALUMINIUM ENCLOSURES

20÷40A
2P-3P-3P+N-4P



Rated current (A)	Nr of poles	Enclosure dimensions	Cable entries		
			20-32-40	2-3-3P+N-4P	150x105x97
			Bottom	1xM20+1xM25	Threaded
			Rear	/	Blank-side

63-80A
2P-3P-3P+N-4P



Rated current (A)	Nr of poles	Enclosure dimensions	Cable entries		
			63-80	2-3-3P+N-4	210x155x107
			Bottom	2xM32	Threaded
			Rear	/	Blank side