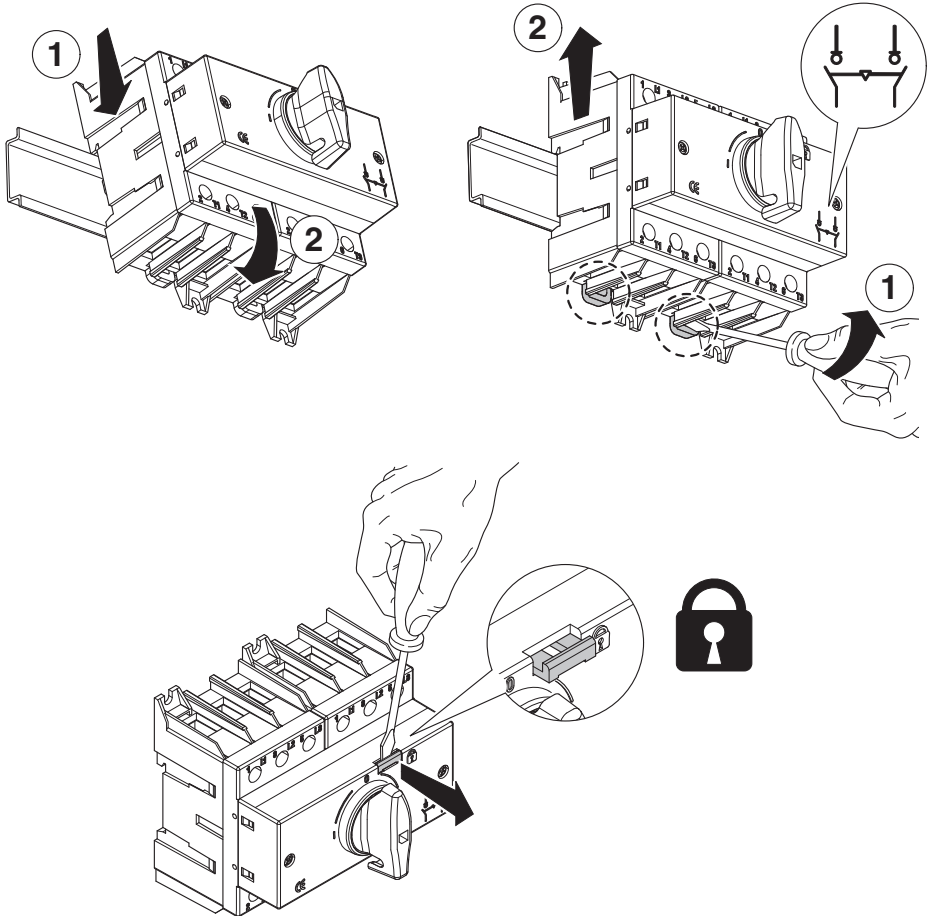


## CHANGE-OVER SWITCHES

16÷160A

3P-3P+N



**InfoTECH**

ITALY

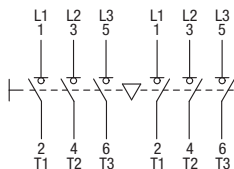
Numero Verde  
**800-018009**

WORLDWIDE

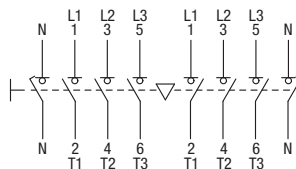
ScameOnLine  
www.scame.com  
infotech@scame.com

		16÷40A 3P-3P+N	63-80-100A 3P-3P+N	125-160A 3P-3P+N
Wire range		1.5÷16mm <sup>2</sup>	10-50mm <sup>2</sup>	10-70mm <sup>2</sup>
Tightening torque	Terminal screws	2Nm	3.5Nm	6Nm
	Fixing screws	1.2Nm	1.2Nm	1.2Nm
Wire strip length		10mm	13mm	15mm

3P



3P+N

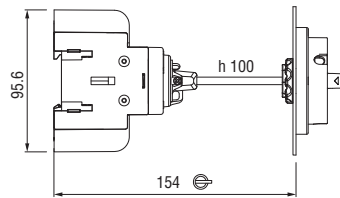
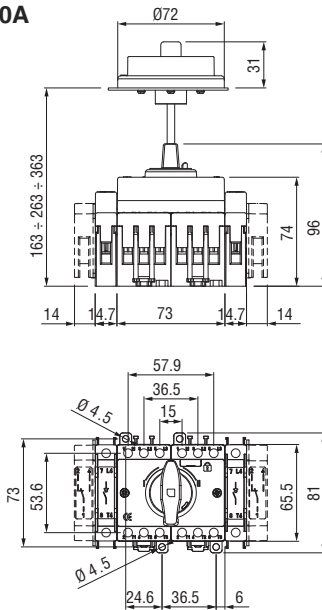


### ATTENTION

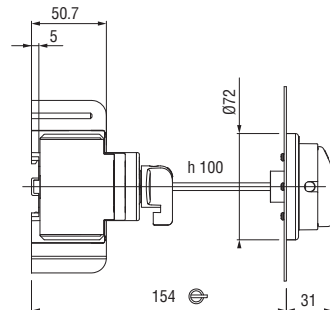
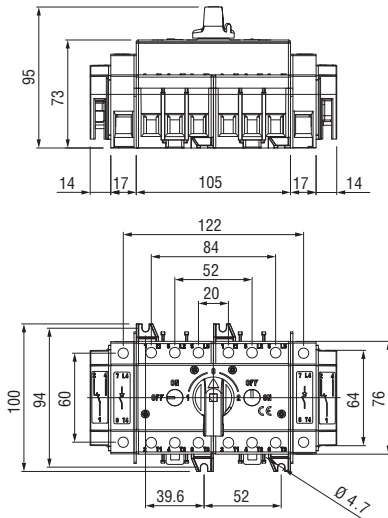
When mounting or removing additional elements the switch **has to be in OFF position** for avoiding damages to mechanism.

When removing main switch following instruction for avoiding damages.

## 16-25-32-40A 3P-3P+N



## 63-80-100A 3P-3P+N



**125A-160A**  
**3P-3P+N**

