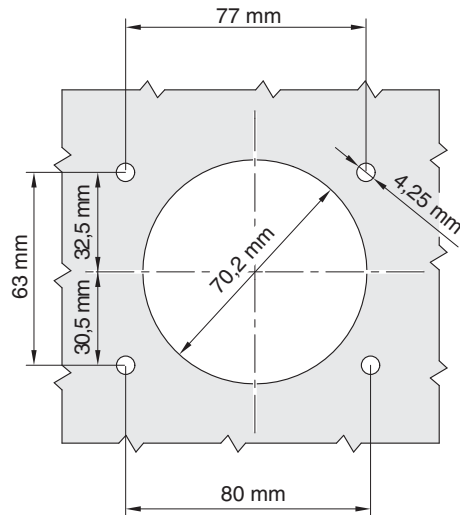
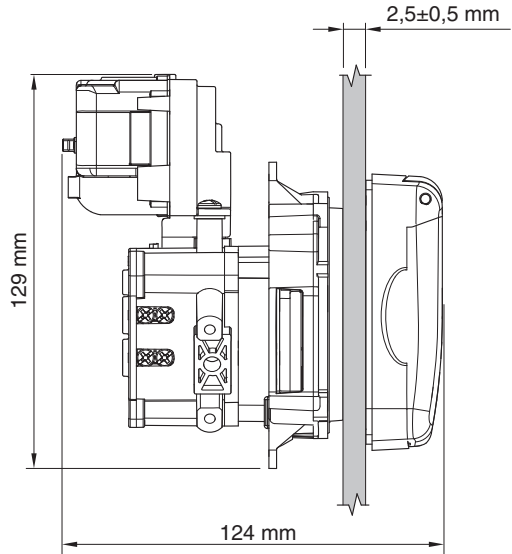
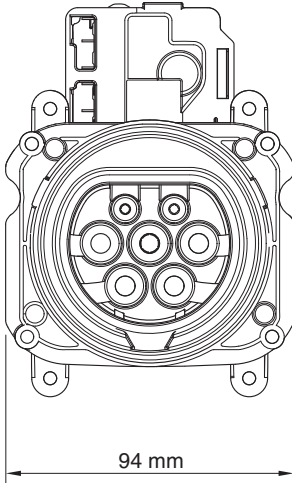


200.23266 / 200.23266S

DRILLING TEMPLATE



InfoTECH

ITALY

WORLDWIDE

Numero Verde

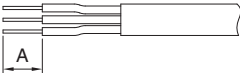
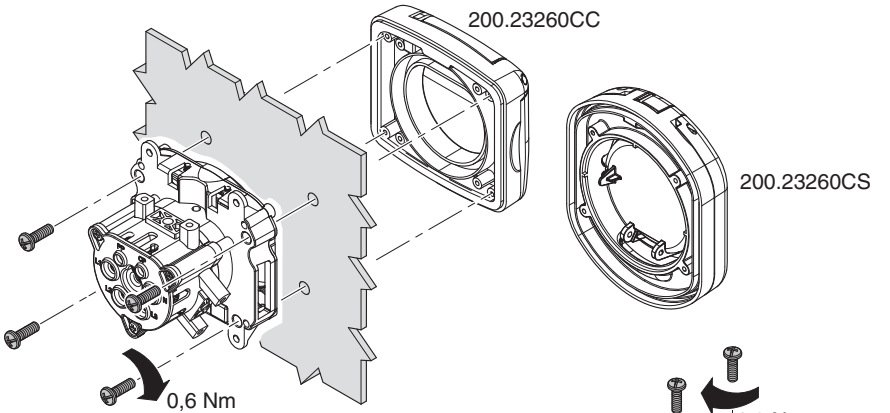
800-018009

ScameOnLine

www.scame.com

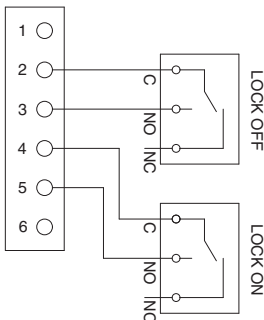
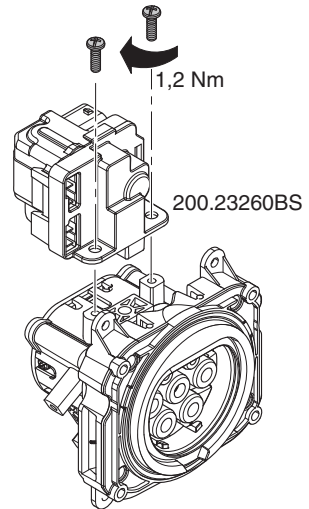
infotech@scame.com

200.23266 / 200.23266S

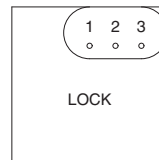


| Description | A (mm) | Cross section (mm ²) | Torque Nm |
|-------------|--------|----------------------------------|-----------|
| L1 | 14 | 2,5-10 | 1,2 |
| L2 | 14 | 2,5-10 | 1,2 |
| L3 | 14 | 2,5-10 | 1,2 |
| N | 14 | 2,5-10 | 1,2 |
| ⊕ | 14 | 2,5-10 | 1,2 |
| CP | 10 | 0,75-1,5 | 0,4 |
| PP | 10 | 0,75-1,5 | 0,4 |

Per sezioni < 6 mm² si consiglia l'utilizzo di terminali
 With cable < 6 mm² we recommend use of terminal



1S FEED TIME



| | 1 | 3 | Voltage |
|----------|---|---|---------|
| Lock on | - | + | 12Vdc |
| Lock off | + | - | 12Vdc |