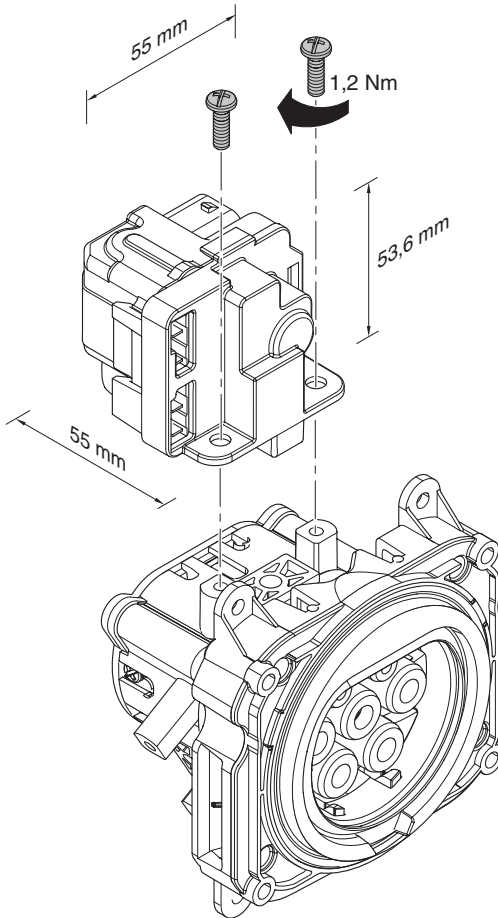
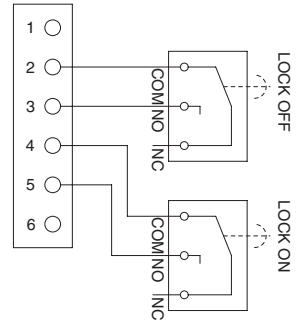
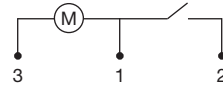


ART. 200.23260BS

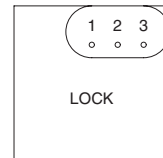


Variations:

- 200.23260BL
- without microswitches
- 200.23260BP
- without microswitches
- with 3 pins actuator



1S FEED TIME



	1	3	Voltage
Lock on	-	+	12Vdc
Lock off	+	-	12Vdc

InfoTECH

ITALY

WORLDWIDE

Numero Verde

800-018009

ScameOnLine

www.scame.com

infotech@scame.com