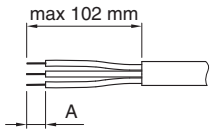
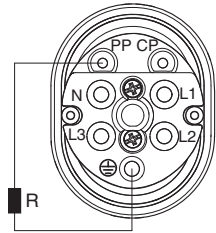
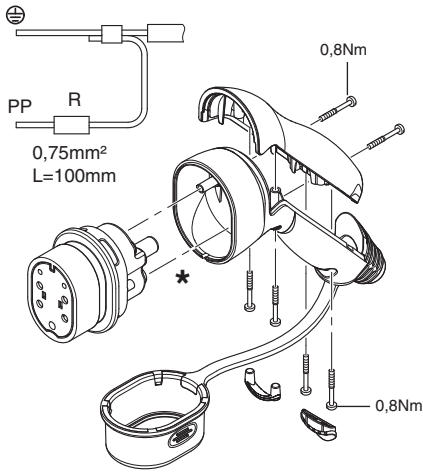


200.33234

In	R ±2%
13A	1,5kΩ 0,5W
20A	680Ω 0,5W
32A	220Ω 0,5W



Description	A	Cross section	Torque
L1	14mm	2,5-4	0,8 Nm
L2	14mm	2,5-4	0,8 Nm
L3	14mm	2,5-4	0,8 Nm
N	24mm	2,5-4	0,8 Nm
⊕	14mm	2,5-4	0,8 Nm
CP	9mm	0,75-1,5	0,4 Nm
PP	9mm	0,75-1,5	0,4 Nm



(*) SCREW TERMINALS

SUGGESTION FOR CABLE

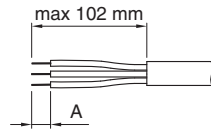
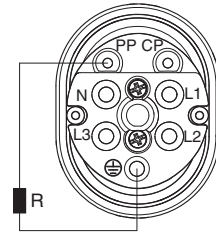
Type: S05BQ-F or equivalent
 Core insulation: EPR-rubber, crosslinked, type E16
 Outer sheath: PUR, type Tmpu flame-retardant
 Operating temperature: -40°C to +90°C

InfoTECH

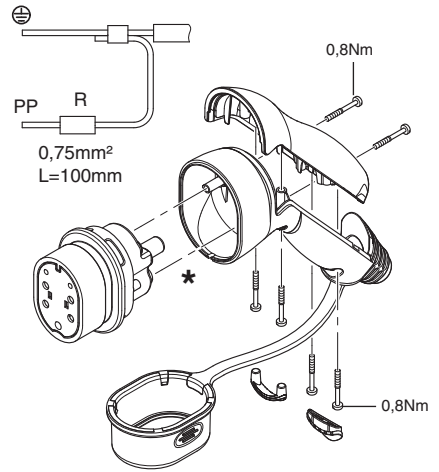
ITALY	WORLDWIDE
Numero Verde 800-018009	Scame OnLine www.scame.com infotech@scame.com

200.33234

In	R ±2%
13A	1,5kΩ 0,5W
20A	680Ω 0,5W
32A	220Ω 0,5W



Description	A	Cross section	Torque
L1	14mm	2,5-4	0,8 Nm
L2	14mm	2,5-4	0,8 Nm
L3	14mm	2,5-4	0,8 Nm
N	24mm	2,5-4	0,8 Nm
⊕	14mm	2,5-4	0,8 Nm
CP	9mm	0,75-1,5	0,4 Nm
PP	9mm	0,75-1,5	0,4 Nm



(*) SCREW TERMINALS

SUGGESTION FOR CABLE

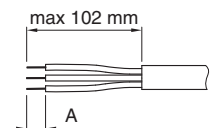
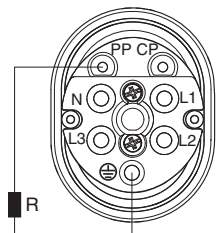
Type: S05BQ-F or equivalent
 Core insulation: EPR-rubber, crosslinked, type E16
 Outer sheath: PUR, type Tmpu flame-retardant
 Operating temperature: -40°C to +90°C

InfoTECH

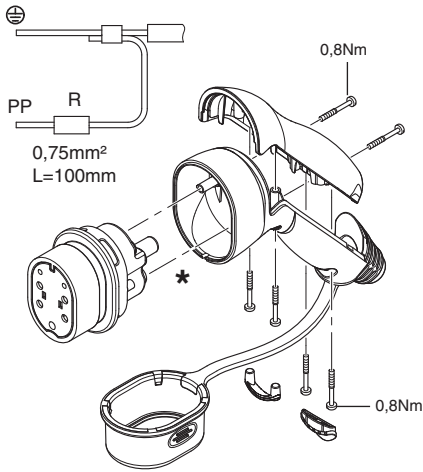
ITALY	WORLDWIDE
Numero Verde 800-018009	Scame OnLine www.scame.com infotech@scame.com

200.33234

In	R ±2%
13A	1,5kΩ 0,5W
20A	680Ω 0,5W
32A	220Ω 0,5W



Description	A	Cross section	Torque
L1	14mm	2,5-4	0,8 Nm
L2	14mm	2,5-4	0,8 Nm
L3	14mm	2,5-4	0,8 Nm
N	24mm	2,5-4	0,8 Nm
⊕	14mm	2,5-4	0,8 Nm
CP	9mm	0,75-1,5	0,4 Nm
PP	9mm	0,75-1,5	0,4 Nm



(*) SCREW TERMINALS

SUGGESTION FOR CABLE

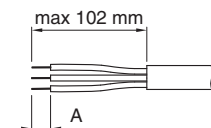
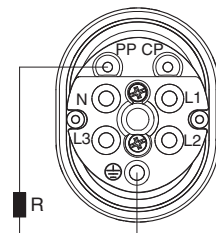
Type: S05BQ-F or equivalent
 Core insulation: EPR-rubber, crosslinked, type E16
 Outer sheath: PUR, type Tmpu flame-retardant
 Operating temperature: -40°C to +90°C

InfoTECH

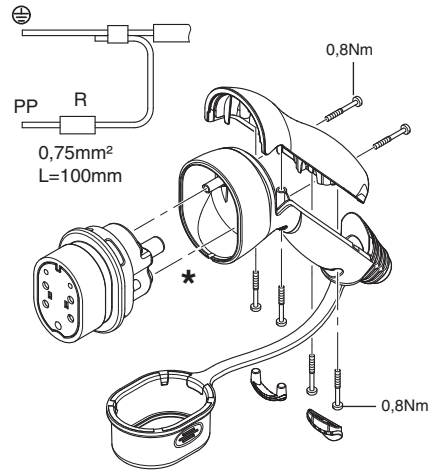
ITALY	WORLDWIDE
Numero Verde 800-018009	Scame OnLine www.scame.com infotech@scame.com

200.33234

In	R ±2%
13A	1,5kΩ 0,5W
20A	680Ω 0,5W
32A	220Ω 0,5W



Description	A	Cross section	Torque
L1	14mm	2,5-4	0,8 Nm
L2	14mm	2,5-4	0,8 Nm
L3	14mm	2,5-4	0,8 Nm
N	24mm	2,5-4	0,8 Nm
⊕	14mm	2,5-4	0,8 Nm
CP	9mm	0,75-1,5	0,4 Nm
PP	9mm	0,75-1,5	0,4 Nm



(*) SCREW TERMINALS

SUGGESTION FOR CABLE

Type: S05BQ-F or equivalent
 Core insulation: EPR-rubber, crosslinked, type E16
 Outer sheath: PUR, type Tmpu flame-retardant
 Operating temperature: -40°C to +90°C

InfoTECH

ITALY	WORLDWIDE
Numero Verde 800-018009	Scame OnLine www.scame.com infotech@scame.com