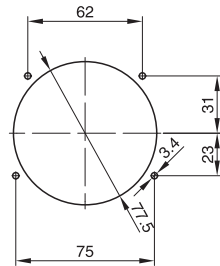
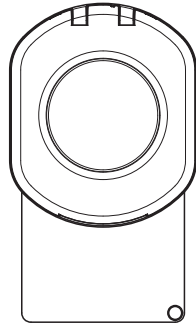
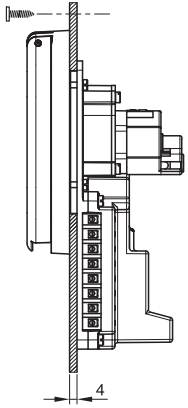


200.01663BV

DRILLING TEMPLATE



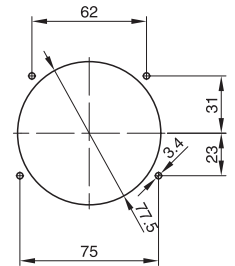
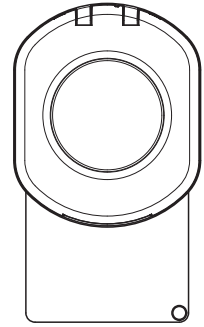
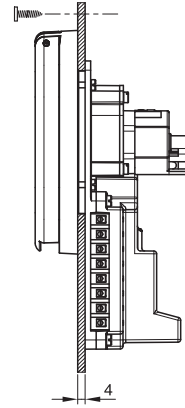
**InfoTECH**

ITALY WORLDWIDE

Numero Verde **800-018009** ScameOnLine  
 www.scame.com  
 infotech@scame.com

200.01663BV

DRILLING TEMPLATE



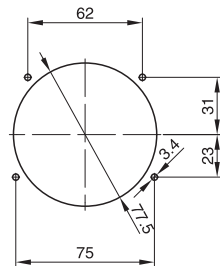
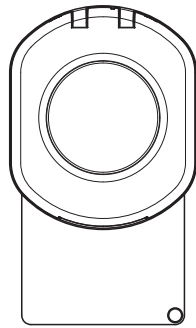
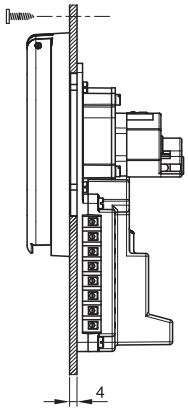
**InfoTECH**

ITALY WORLDWIDE

Numero Verde **800-018009** ScameOnLine  
 www.scame.com  
 infotech@scame.com

200.01663BV

DRILLING TEMPLATE



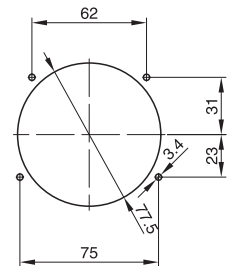
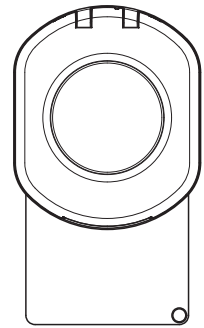
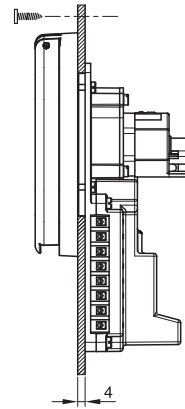
**InfoTECH**

ITALY WORLDWIDE

Numero Verde **800-018009** ScameOnLine  
 www.scame.com  
 infotech@scame.com

200.01663BV

DRILLING TEMPLATE



**InfoTECH**

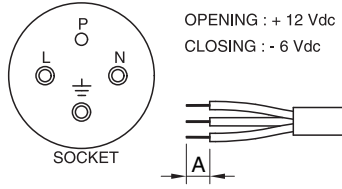
ITALY WORLDWIDE

Numero Verde **800-018009** ScameOnLine  
 www.scame.com  
 infotech@scame.com

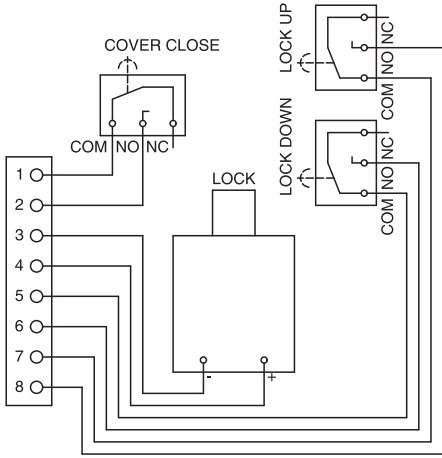
200.01663BV

Description	A	Cross section	Torque
L	10m	1-4	0,8Nm
N	10m	1-4	0,8Nm
⊕	10m	1-4	0,8Nm
CP	10m	0,75-1,5	0,5Nm
1÷8	7m	0,75-2,5	0,4Nm

WIRING DIAGRAM



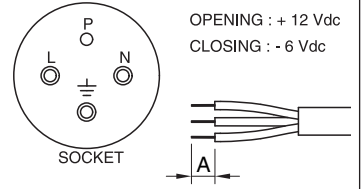
	3	4	Voltage
Lock up	+	-	6Vdc
Lock down	-	+	12Vdc



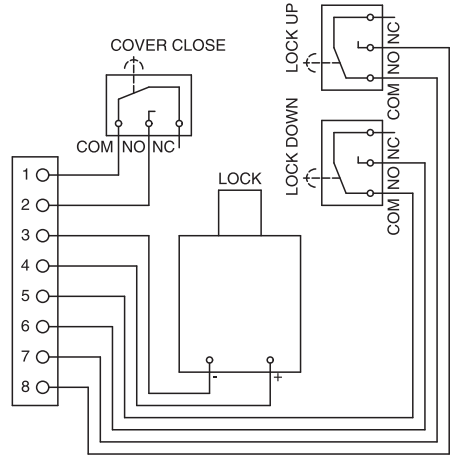
200.01663BV

Description	A	Cross section	Torque
L	10m	1-4	0,8Nm
N	10m	1-4	0,8Nm
⊕	10m	1-4	0,8Nm
CP	10m	0,75-1,5	0,5Nm
1÷8	7m	0,75-2,5	0,4Nm

WIRING DIAGRAM



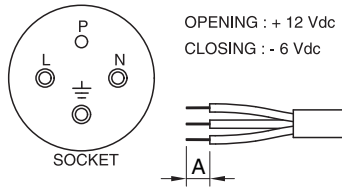
	3	4	Voltage
Lock up	+	-	6Vdc
Lock down	-	+	12Vdc



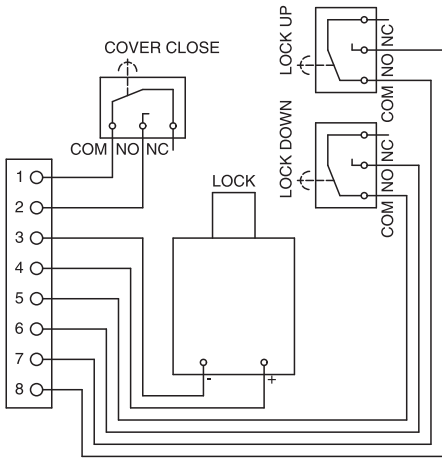
200.01663BV

Description	A	Cross section	Torque
L	10m	1-4	0,8Nm
N	10m	1-4	0,8Nm
⊕	10m	1-4	0,8Nm
CP	10m	0,75-1,5	0,5Nm
1÷8	7m	0,75-2,5	0,4Nm

WIRING DIAGRAM



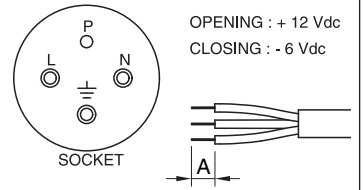
	3	4	Voltage
Lock up	+	-	6Vdc
Lock down	-	+	12Vdc



200.01663BV

Description	A	Cross section	Torque
L	10m	1-4	0,8Nm
N	10m	1-4	0,8Nm
⊕	10m	1-4	0,8Nm
CP	10m	0,75-1,5	0,5Nm
1÷8	7m	0,75-2,5	0,4Nm

WIRING DIAGRAM



	3	4	Voltage
Lock up	+	-	6Vdc
Lock down	-	+	12Vdc

